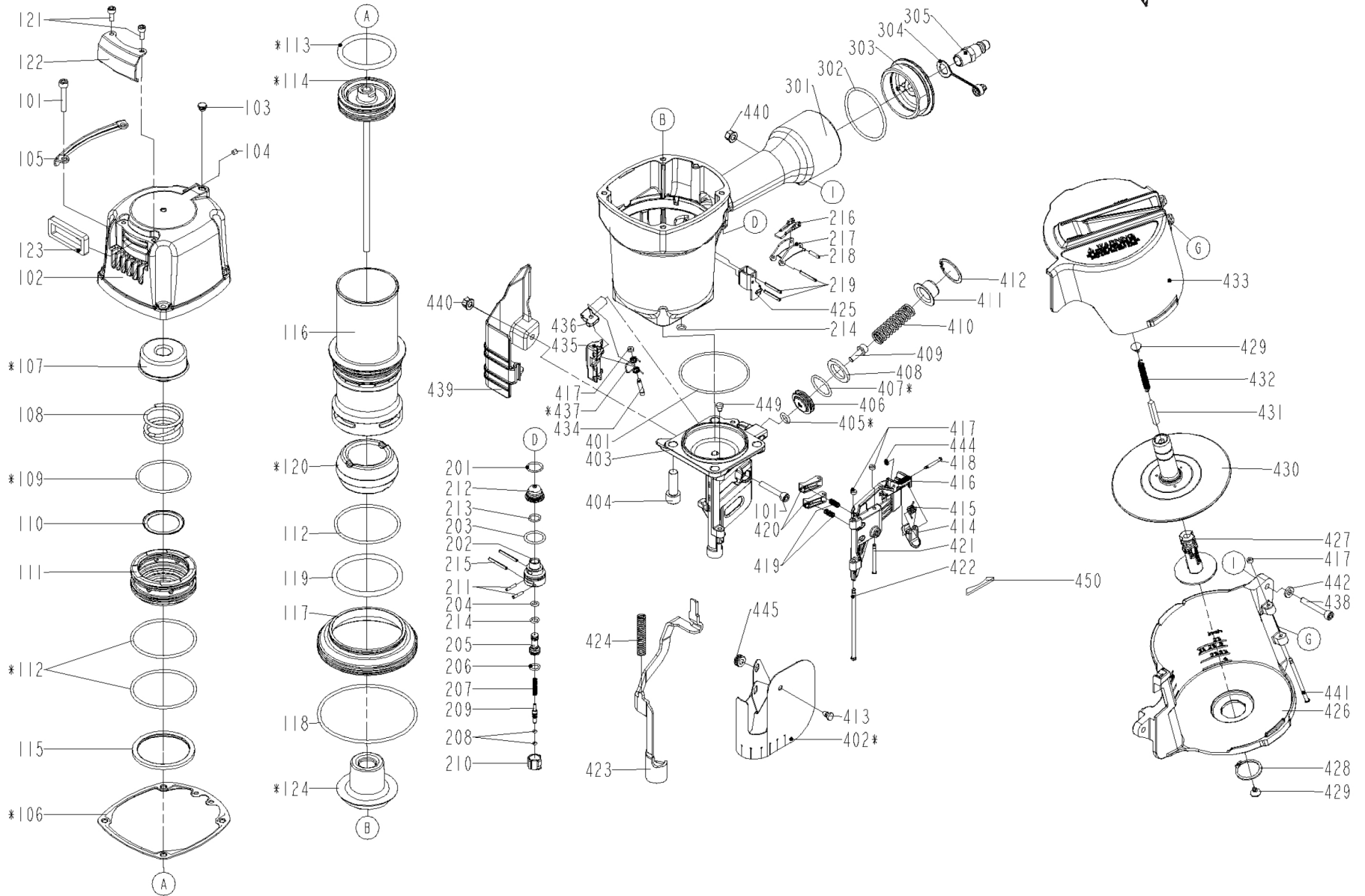


CN100



| Item | Part Number | Qty | Description | Item | Part Number | Qty | Description |
|------|-------------|-----|--------------------|------|-------------|-----|--------------------|
| 101 | 820676 | | HEX.SOC.HD.BOLT | 201 | 830294 | | O - RING |
| 102 | 840001 | | CAP | 202 | 820350 | | PLUNGER CAP |
| 103 | 820064 | | GROMMET | 203 | 830230 | | O - RING |
| 104 | 920502 | | HEX.SOC.HD.SCREW | 204 | 920522 | | O - RING |
| 105 | 840002 | | GUIDE COVER | 205 | 810910 | | VALVE PLUNGER |
| 106 | 840003 | | CYLINDER CAP SEAL | 206 | 920524 | | O - RING |
| 107 | 840004 | | SEAL | 207 | 810886 | | SPRING |
| 108 | 840005 | | COMPRESSION SPRING | 208 | 830340 | | O - RING |
| 109 | 830355 | | O - RING | 209 | 820363 | | PLUNGER |
| 110 | 840006 | | WASHER | 210 | 820337 | | TRIGGER VALVE HEAD |
| 111 | 840007 | | HD.VALVE PISTON | 211 | 810619 | | PIN |
| 112 | 840008 | | O - RING | 212 | 820375 | | COVER-PLUNGER |
| 113 | 840009 | | O - RING | 213 | 830297 | | O - RING |
| 114 | 840010 | | DRIVER UNIT | 214 | 830211 | | O - RING |
| 115 | 840011 | | COLLAR | 215 | 820885 | | SPIRAL PINS |
| 116 | 840012 | | CYLINDER | 216 | 810410 | | SECONDARY TRIGGER |
| 117 | 840013 | | CYLINDER SPACER | 217 | 810405 | | TRIGGER |
| 118 | 840014 | | O - RING | 218 | 920533 | | SPRING PIN |
| 119 | 840015 | | O - RING | 219 | 820883 | | SPIRAL PINS |
| 120 | 840016 | | BUMPER-A | 301 | 840021 | | GUN BODY UNIT |
| 121 | 840017 | | HEX.SOC.HD.BOLT | 302 | 830513 | | O - RING |
| 122 | 840018 | | DEFLECTOR | 303 | 810930 | | END CAP |
| 123 | 840019 | | MUFFLER | 304 | 810629 | | AIR PLUG CAP |
| 124 | 840020 | | BUMPER-B | 305 | 820082 | | AIR PLUG |

| Item | Part Number | Qty | Description | Item | Part Number | Qty | Description |
|------|-------------|-----|------------------|------|-------------|-----|--------------------|
| 401 | 840022 | | O - RING | 426 | 840038 | | MAGAZINE CASE |
| 402 | 840023 | | MUZZLE PROTECTOR | 427 | 840039 | | MAGAEING POST |
| 403 | 840024 | | NOSE PIECE | 428 | 820517 | | RUBBER RING |
| 404 | 830503 | | HEX.SOC.HD.BOLT | 429 | 810948 | | SPRING BASE |
| 405 | 830226 | | O - RING | 430 | 840040 | | SPACER |
| 406 | 840025 | | FEED PISTON-B | 431 | 820512 | | SPACER |
| 407 | 830304 | | O - RING | 432 | 840041 | | PULL SPRING |
| 408 | 840026 | | FEED BUMPER | 433 | 840042 | | MAGAZINE COVER |
| 409 | 840027 | | BOLT ASSY | 434 | 820132 | | PIN FEED PISTON |
| 410 | 840028 | | PUSHER SPRING | 435 | 840043 | | FEED FINGER |
| 411 | 840029 | | FEED PISTON CAP | 436 | 840044 | | FEED PISTON-A |
| 412 | 840030 | | C - RING | 437 | 840045 | | FEED FINGER SPRING |
| 413 | 810938 | | DUST SHIELD PLUG | 438 | 820677 | | HEX.SOC.HD.BOLT |
| 414 | 810349 | | DOOR LATCH | 439 | 840046 | | SPRING COVER |
| 415 | 840031 | | LATCH SPRING | 440 | 830015 | | BOLT CAP |
| 416 | 840032 | | DOOR | 441 | 840047 | | MAGAZINE SHAFT PIN |
| 417 | 820051 | | PU RETAINER | 442 | 820811 | | FLAT WASHER |
| 418 | 840033 | | PIN | 443 | 810954 | | SPRING BASE A |
| 419 | 810841 | | STOPPER FINGER | 444 | 920627 | | URETHANE RETAINER |
| 420 | 820024 | | NAIL STOP | 445 | 820068 | | PROTECTOR WASHER |
| 421 | 840034 | | PIN-NAIL STOP | 447 | 840048 | | SECOND HANDLE BASE |
| 422 | 840035 | | DOOR SHAFT PIN | 448 | 840049 | | HANDLE |
| 423 | 840036 | | SAFETY | 449 | 840050 | | GROMMET |
| 424 | 840037 | | SAFETY SPRING | 450 | 840051 | | RUBBER PAD |
| 425 | 810828 | | SAFETY GUIDE | | | | |