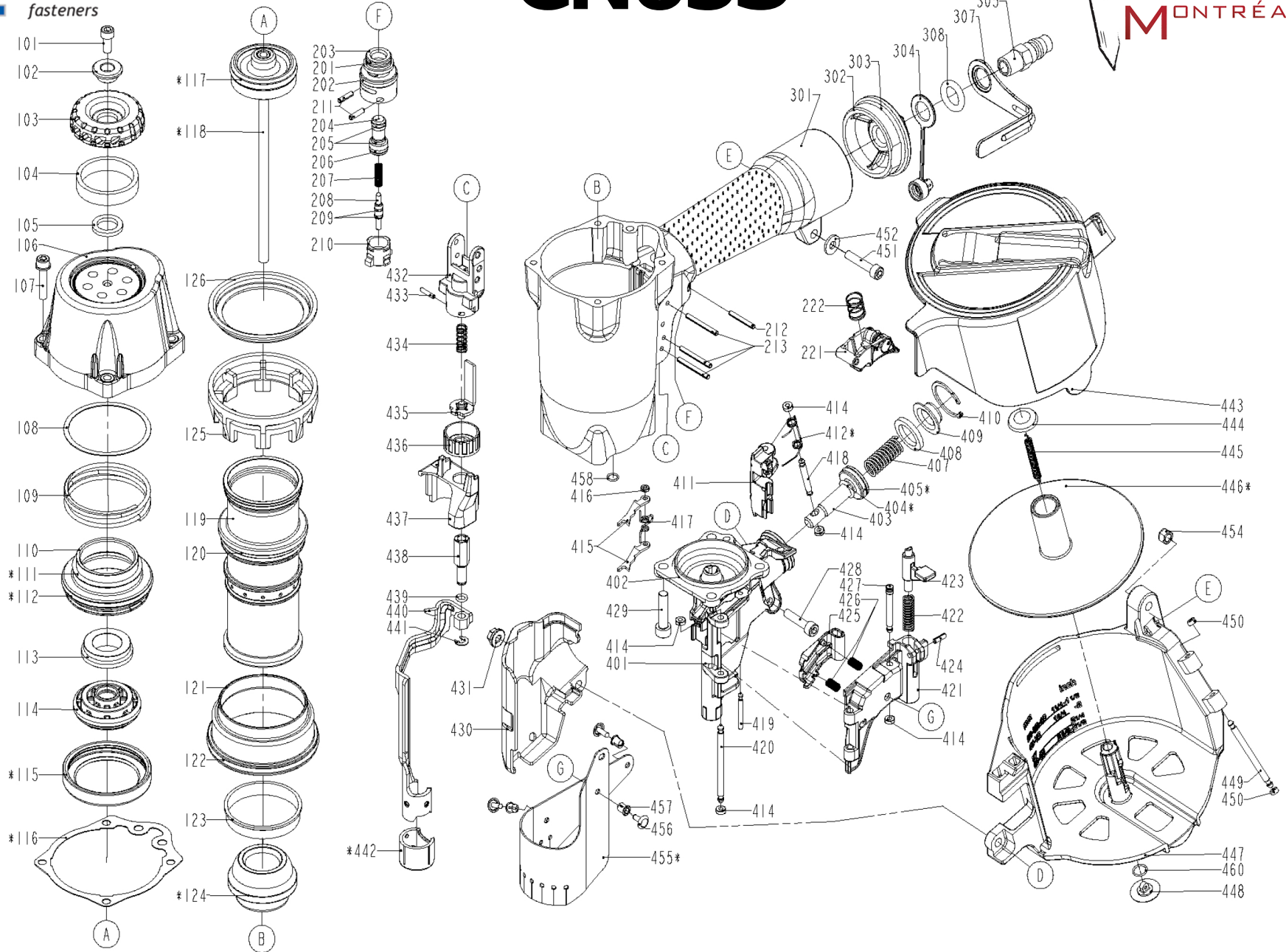


"The Advantage in Fasteners"

INTERNAIL
fasteners

CN65S

BROCHEUSES
MONTRÉAL INC



Item	Part Number	Qty	Description	Item	Part Number	Qty	Description
101	820641		SHCS	208	IN KIT		PLUNGER
102	820408		WASHER	209	IN KIT		O - RING
103	820320		DEFLECTOR	210	IN KIT		LOWER TRIGGER VALVE
104	810643		MUFFLER	211	IN KIT		ROLL PIN
105	820041		RUBBER WASHER	KIT	830402		TRIGGER VALVE ASMBLY
106	820163		CAP	212	920824		ROLL PIN
107	920164		SHCS	213	920530		ROLL PIN
108	820410		WASHER	221	810101		TRIGGER
109	810868		COMPRESSION SPRING	222	810882		SPRING
110	820147		HEAD VALVE	301	810206		GUN BODY UNIT
111	830314		O - RING	302	810922		END CAP
112	830248		O - RING	303	920540		O-RING
113	810901		SEAL	401	820428		NOSE PIECE
114	820309		SEAL	402	830310		O - RING
115	820563		COLLAR	403	820124		FEEDER PISTON
116	810636		GASKET	404	920584		O - RING
117	830308		O - RING	405	830229		O - RING
118	810012		DRIVER UNIT	407	920547		SPRING
119	810510		CYLINDER	408	920548		FEED BUMPER
120	830347		O - RING	409	920549		FEED PISTON CAP
121	810521		CYLINDER SPACER	410	920585		C - RING
122	830359		O - RING	411	810331		FEEDER PAW
123	810529		CYLINDER RING	412	810333		FEEDER SPRING
124	920822		BUMPER	414	920553		RETAINER
125	810431		CYLINDER PRESS RING	415	810341		FIRST STOPPER FINGER
126	820202		FLANGE	416	920627		RETAINER
201	IN KIT		O - RING	417	810342		SPRING
202	IN KIT		O - RING	418	820129		FIXED PIN
203	IN KIT		UPPER TRIGGER VALVE	419	820034		FIXED PIN
204	IN KIT		VALVE PLUNGER	420	820106		DOOR SHAFT PIN
205	IN KIT		O - RING	421	820101		DOOR
206	IN KIT		O - RING	422	920561		LATCH SPRING
207	IN KIT		SPRING	423	920562		DOOR LATCH

Item	Part Number	Qty	Description
424	820841		ROLL PIN
425	820023		NAIL GUIDE
426	810839		SPRING
427	820028		FIXED PIN
428	820648		SHCS
429	820667		SHCS
430	810941		SAFETY COVER
431	920573		NUT
432	810826		SAFETY GUIDE
433	820833		ROLL PIN
434	810806		SAFETY SPRING
435	810717		UPPER SAFETY
436	820534		DEPTH ADJUSTMENT
437	820374		SAFETY COVER
438	820536		ADJUST ROD
439	830271		O - RING
440	810712		LOWER SAFETY
441	920211		E - RING
442	810835		FLAT NO MAR TIP
442	810836		POINTED NO MAR TIP
443	820007		MAGAZINE COVER
444	920568		SPRING CLIP
445	920567		PULL SPRING
446	820013		NAIL TRAY
447	820001		MAGAZINE
448	810945		SPRING CLIP
449	820107		FIXED PIN
450	820047		RETAINER
451	920581		SHCS
452	920572		FLAT WASHER
454	920168		LOCK NUT
455	820429		PLASTIC SHIELD
456	810540		FIXED PIN
457	920586		FIXED RING
458	920828		O - RING
460	830364		O - RING