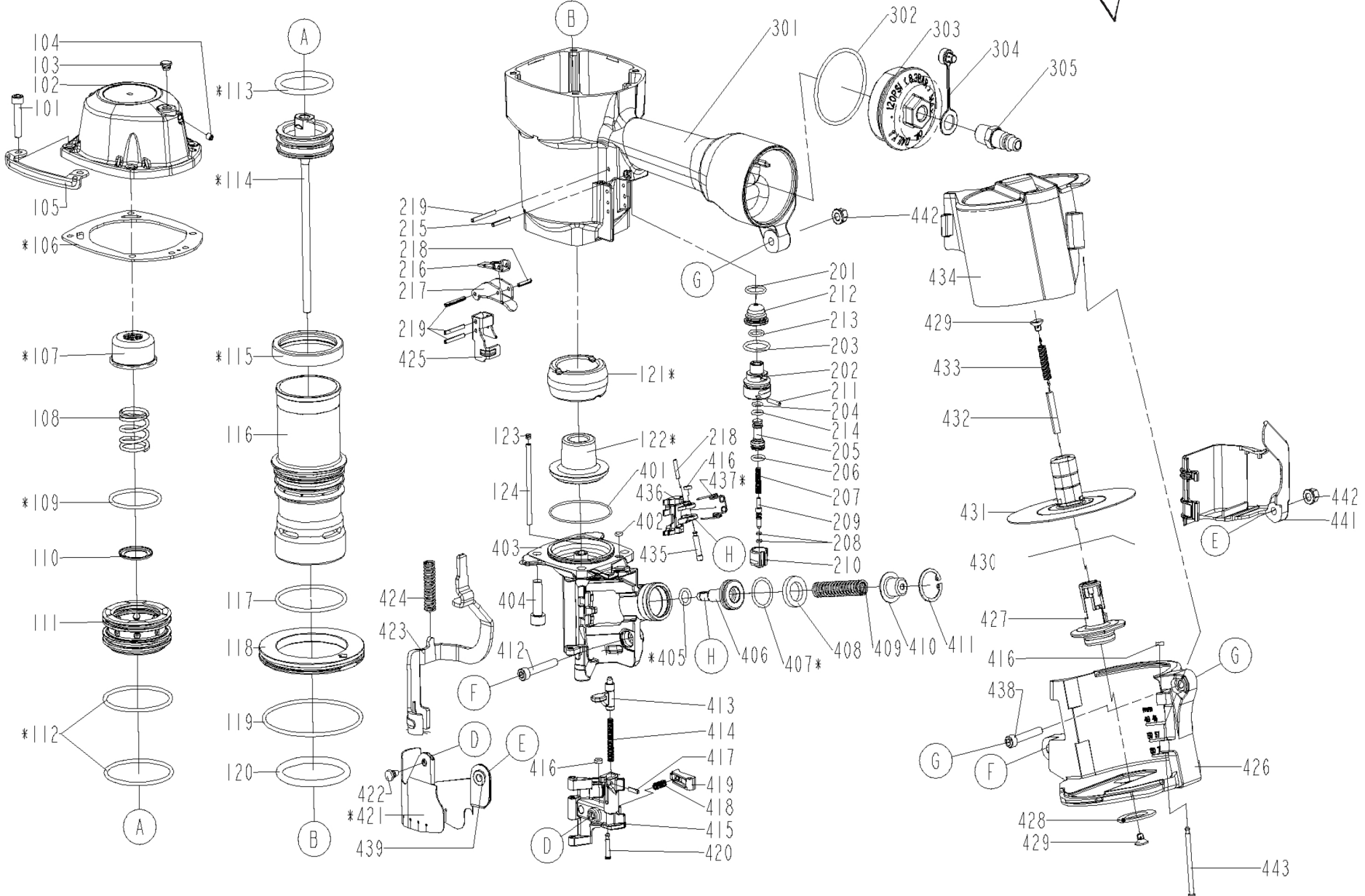


"The Advantage in Fasteners"

**INTERNAIL**  
fasteners

# CN70

**BROCHEUSES**  
**MONTRÉAL INC.**



Item	Part Number	Qty	Description	Item	Part Number	Qty	Description
101	820673		HEX.SOC.HD.BOLT	124	820110		DOOR SHAFT PIN
102	820166		CAP	201	830294		O - RING
103	820064		GROMMET	202	820350		PLUNGER CAP
104	920502		HEX.SOC.HD.SCREW	203	830230		O - RING
105	820549		GUIDE COVER	204	920522		O - RING
106	810313		CYLINDER CAP SEAL	205	810910		VALVE PLUNGER
107	820311		SEAL	206	920524		O - RING
108	810864		COMPRESSION SPRING	207	810886		SPRING
109	920808		O - RING	208	830340		O - RING
110	820412		WASHER	209	820363		PLUNGER
111	820151		HD.VALVE PISTON	210	820337		TRIGGER VALVE HEAD
112	830355		O - RING	211	810619		PIN
113	830351		O - RING	212	820375		COVER-PLUNGER
114	810007		DRIVER UNIT	213	830297		O - RING
115	820567		COLLAR	214	830211		O - RING
116	810511		CYLINDER	215	820877		SPIRAL PINS
117	830354		O - RING	216	810410		SECONDARY TRIGGER
118	810522		CYLINDER SPACER	217	810405		TRIGGER
119	830254		O - RING	218	820718		SPIRAL PINS
120	830243		O - RING	219	820883		SPIRAL PINS
121	810613		BUMPER-A	301	810208		GUN BODY UNIT
122	810614		BUMPER-B	302	830513		O - RING
123	820067		GROMMET A				

Item	Part Number	Qty	Description	Item	Part Number	Qty	Description
303	810930		END CAP	421	820431		MUZZLE PROTECTOR
304	810629		AIR PLUG CAP	422	810938		DUST SHIELD PLUG
305	820082		AIR PLUG	423	810704		SAFETY
401	830356		O - RING	424	810817		SAFETY SPRING
402	830337		O - RING	425	840144		SAFETY GUIDE
403	820425		NOSE PIECE	426	820003		MAGAZINE CASE
404	820679		HEX.SOC.HD.BOLT	427	820020		ADJUST POST
405	830226		O - RING	428	841182		C-RING
406	820126		FEED PISTON	429	810948		SPRING BASE
407	830234		O - RING	430	820515		RUBBER PLATE
408	810961		FEED BUMPER	431	820015		SPACER
409	810859		PUSHER SPRING	432	820512		SPACER
410	820138		FEED PISTON CAP	433	810803		PULL SPRING
411	820816		C - RING	434	820009		MAGAZINE COVER
412	820677		HEX.SOC.HD.BOLT	435	820132		PIN FEED PISTON
413	810351		DOOR LATCH	436	810328		FEED FINGER
414	810358		LATCH SPRING	437	810335		FEED FINGER SPRING
415	820103		DOOR	438	820676		HEX.SOC.HD.BOLT
416	820051		PU RETAINER	439	820068		PROTECTOR WASHER
417	920529		SPRING PIN	441	810955		SPRING COVER
418	810841		STOPPER FINGER SPRING	442	830015		BOLT CAP
419	820024		NAIL STOP	443	820216		MAGAZINE SHAFT PIN
420	820030		PIN-NAIL STOP				