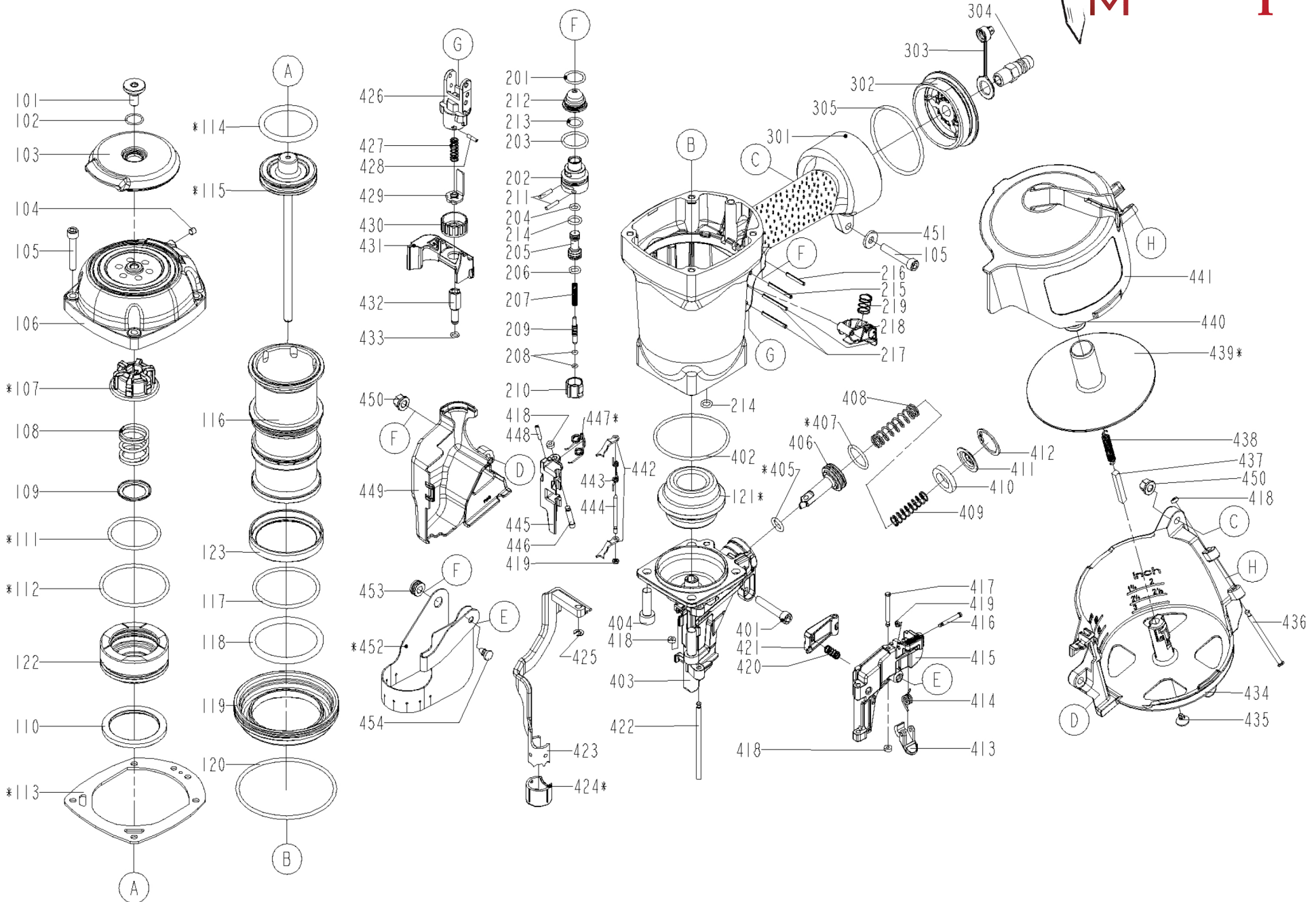


"The Advantage in Fasteners"

INTERNAIL
fasteners

CN75

BROCHEUSES
MONTRÉAL INC



Item	Part Number	Qty	Description	Item	Part Number	Qty	Description
101	810108		DEFLECTOR BOLT (3M2353)	203	830230		O - RING
102	920615		O - RING	204	920522		O - RING
103	810109		DEFLECTOR	205	810910		VALVE PLUNGER
104	920502		HEX.SOC.HD.SCREW	206	920524		O - RING
105	820676		HEX.SOC.HD.BOLT	207	810886		SPRING
106	810110		CAP	208	830340		O - RING
107	810111		SEAL	209	830533		PLUNGER
108	810864		COMPRESSION SPRING	210	820337		TRIGGER VALVE HEAD
109	820412		WASHER	211	810619		PIN
110	810112		COLLAR	212	820375		COVER-PLUNGER
111	920808		O - RING	213	830297		O - RING
112	830355		O - RING	214	830211		O - RING
113	810313		CYLINDER CAP SEAL	215	920176		SPRING PIN
114	830351		O - RING	216	920824		SPRING PIN
115	810113		DRIVER UNIT	217	920530		SPRING PIN
116	810114		CYLINDER	218	810101		TRIGGER UNIT
117	830243		O - RING	219	810882		SPRING
118	830248		O - RING	301	810118		GUN BODY UNIT
119	810115		CYLINDER SPACER	302	810119		END CAP
120	830254		O - RING	305	810120		O - RING
121	830525		BUMPER	401	820661		HEX.SOC.HD.BOLT
122	810116		HD.VALVE PISTON	402	810121		O - RING
123	810117		WASHER	403	810122		NOSE PIECE
201	830294		O - RING	404	810123		HEX.SOC.HD.BOLT
202	820350		PLUNGER CAP	405	830223		O - RING

Item	Part Number	Qty	Description	Item	Part Number	Qty	Description
406	820128		FEED PISTON	431	810135		SAFETY COVER
407	830234		O - RING	432	810136		ADJUST ROD
408	810124		PUSHER SPRING	433	830271		O - RING
409	810125		PUSHER SPRING	434	810137		MAGAZINE CASE
410	810961		FEED BUMPER	435	810948		SPRING BASE
411	820139		FEED PISTON CAP	436	820216		MAGAZINE SHAFT PIN
412	820816		C - RING	437	820512		SPACER
413	810349		DOOR LATCH	438	810803		PULL SPRING
414	810126		LATCH SPRING	439	810138		SPACER
415	810127		DOOR	440	810954		SPRING BASE A
416	840033		PIN	441	810139		MAGAZINE COVER
417	810128		PIN-NAIL STOP	442	810140		NAIL STOP
418	820051		PU RETAINER	443	810141		STOPPER FINGER SPRING
419	920627		URETHANE RETAINER	444	810142		PIN-NAIL STOP
420	810129		SAFETY SPRING	445	810143		FEED FINGER
421	810130		NAIL STOP	446	820132		PIN FEED PISTON
422	810131		DOOR SHAFT PIN	447	810335		FEED FINGER SPRING
423	810132		SAFETY A	448	920533		SPRING PIN
424	810835		PROTECTIVE CASING	449	810144		SPRING COVER
425	920211		E - RING	450	830015		BOLT CAP
426	810133		SAFETY GUIDE	451	820811		FLAT WASHER
427	810134		SAFETY SPRING	452	810145		MUZZLE PROTECTOR
428	920371		SPRING PIN	453	820068		PROTECTOR WASHER
429	810302		SAFETY B UNIT	454	810938		DUST SHIELD PLUG
430	820534		ADJUST AXIE				