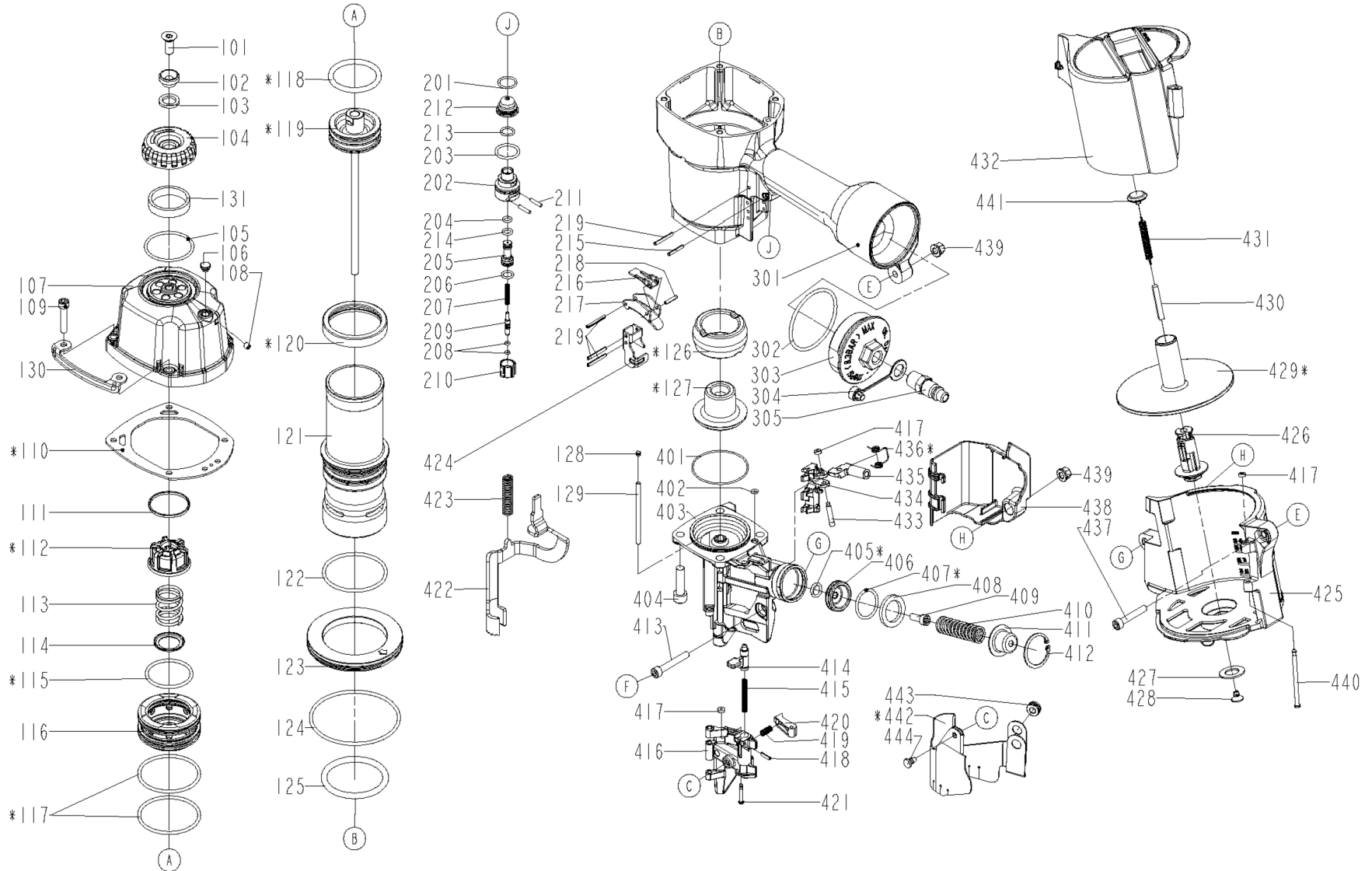


CN83



Item	Part Number	Qty	Description	Item	Part Number	Qty	Description
101	921037		COUNTER SUNK SCREW	125	830243		O - RING
102	820417		WASHER	126	810613		BUMPER-A
103	820041		RUBBER PAD	127	810614		BUMPER-B
104	820324		DEFLECTOR	128	820067		GROMMET A
105	830278		O - RING	129	820110		DOOR SHAFT PIN
106	820064		GROMMET	130	820549		GUIDE COVER
107	820716		CAP	131	810643		MUFFLER
108	920502		HEX.SOC.HD.SCREW	201	830294		O - RING
109	820717		HEX.SOC.HD.BOLT	202	820350		PLUNGER CAP
110	810313		CYLINDER CAP SEAL	203	830230		O - RING
111	921039		WASHER SEAL	204	920522		O - RING
112	921040		SEAL	205	810910		VALVE PLUNGER
113	810864		COMPRESSION SPRING	206	920524		O - RING
114	820412		WASHER	207	810886		SPRING
115	920808		O - RING	208	830340		O - RING
116	820151		HD.VALVE PISTON	209	820363		PLUNGER
117	830355		O - RING	210	820337		TRIGGER VALVE HEAD
118	830351		O - RING	211	810619		PIN
119	810016		DRIVER UNIT	212	820375		COVER-PLUNGER
120	820567		COLLAR	213	830297		O - RING
121	921042		CYLINDER	214	830211		O - RING
122	830354		O - RING	215	820877		SPIRAL PINS
123	810522		CYLINDER SPACER	216	810410		SECONDARY TRIGGER
124	830254		O - RING	217	810405		TRIGGER

Item	Part Number	Qty	Description	Item	Part Number	Qty	Description
218	820718		SPIRAL PINS	420	820024		NAIL STOP
219	820883		SPIRAL PINS	421	820030		PIN-NAIL STOP
301	810208		GUN BODY UNIT	422	921048		SAFETY
302	830513		O - RING	423	810817		SAFETY SPRING
303	810930		END CAP	424	840144		SAFETY GUIDE
304	810629		AIR PLUG CAP	425	921050		MAGAZINE CASE
305	820082		AIR PLUG	426	820021		MAGAEING POST
401	830356		O - RING	427	820517		RUBBER RING
402	830337		O - RING	428	810948		SPRING BASE
403	921044		NOSE PIECE	429	921051		SPACER
404	820679		HEX.SOC.HD.BOLT	430	820512		SPACER
405	830223		O - RING	431	840041		PULL SPRING
406	921045		FEED PISTON-B	432	921052		MAGAZINE COVER
407	830304		O - RING	433	820132		PIN FEED PISTON
408	840026		FEED BUMPER	434	921053		FEED FINGER
409	840027		BOLT ASSY	435	840044		FEED PISTON-A
410	921046		PUSHER SPRING	436	840045		FEED FINGER SPRING
411	840029		FEED PISTON CAP	437	820676		HEX.SOC.HD.BOLT
412	840030		C - RING	438	921054		SPRING COVER
413	820677		HEX.SOC.HD.BOLT	439	830015		BOLT CAP
414	810351		DOOR LATCH	440	820216		MAGAZINE SHAFT PIN
415	810360		LATCH SPRING	441	810954		SPRING BASE A
416	921047		DOOR	442	841640		MUZZLE PROTECTOR
417	820051		PU RETAINER	443	820068		PROTECTOR WASHER
418	920529		SPRING PIN	444	810939		DUST SHIELD PLUG
419	810844		STOPPER FINGER SPRING				