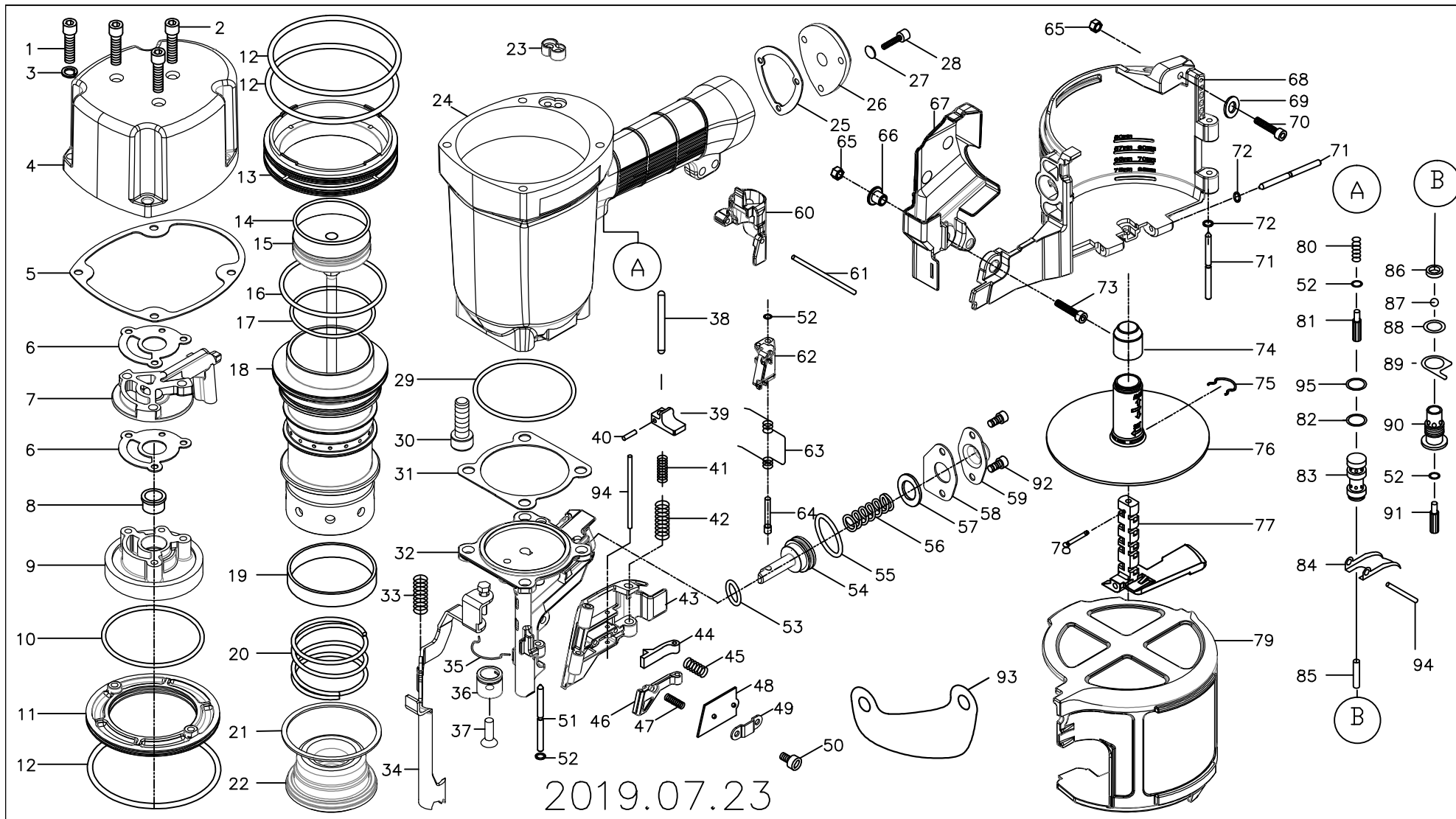


EXPLODED DIAGRAM OF NV83A2



PART LIST OF NV83A2

NO.	PART NO.	DESCRIPTION	NO.	PART NO.	DESCRIPTION	NO.	PART NO.	DESCRIPTION
1	19914077	HEX. SOC. HD. BOLT	33	19907006	SPRING	65	19919004	LOCK NUT
2	19914088	HEX. SOC. HD. BOLT	34	2142601G	SAFETY	66	10527006	WASHER
3	19920002	WASHER	35	10527004	C-RING	67	10527002	NOSE COVER A
4	2062801D	CAP	36	10726002	ADJUST WHEEL	68	11139002	MAGAZINE
5	10819001	GASKET	37	19914083	FLAT HD. BOLT	69	19920003	WASHER
6	10819002	SEAL GASKET	38	10404006	SHAFT	70	19914007	HEX. SOC. HD. BOLT
7	2062803B	SEAL A	39	2180201G	LATCH	71	19904016	SHAFT
8	19908021	SEAL	40	19917006	SPRING PIN	72	19913043	O-RING
9	2062804B	SEAL B	41	19916017	SPRING	73	19914011	HEX. SOC. HD. BOLT
10	19913149	O-RING	42	19916081	SPRING	74	19911035	POST CAP
11	11023003	CYLINDER PLATE	43	2101601G	NAIL GUIDE	75	19911037	C RING
12	19913145	O-RING	44	2180202G	STOPPER	76	11115004	NAIL SUPPORT
13	11023005	CYLINDER GUIDE	45	19916003	SPRING	77	11115002	MAGAZINE POST
14	19913146	O-RING	46	2180901G	STOPPER	78	19917013	SPRING PIN
15	2054701C	PISTON UNIT	47	19916027	SPRING	79	11139001	MAGAZINE
16	19913147	O-RING	48	19904008	NAIL GUIDE COVER	80	19916026	SPRING
17	19913148	O-RING	49	10413003	STOPPER	81	19909006	PLUNGER A
18	2152001J	CYLINDER	50	19914018	HEX. SOC. HD. BOLT	82	19913077	O-RING
19	19910042	RING	51	10402003	SHAFT	83	19909007	VALVE BUSHING
20	19916080	SPRING	52	19913010	O-RING	84	19903007	TRIGGER
21	11023004	RING	53	19913006	O-RING	85	19909008	TRIGGER VALVE STEM
22	11023001	BUMPER	54	10626005	FEEDER PISTON	86	19909009	PU RING
23	11023002	GASKET	55	19913018	O-RING	87	19909010	BALL
24	2132001D	BODY	56	19906016	SPRING	88	19913026	O-RING
25	10215001	GASKET	57	19906003	PU RING	89	19909011	VALVE PLATE
26	2190701D	END CAP	58	2111103G	FEEDER PISTON COVER B	90	19909012	TRIGGER PLUNGER
27	19920011	WASHER	59	2111102G	FEEDER PISTON COVER A	91	19909013	TRIGGER VALVE STEM
28	19914029	HEX. SOC. HD. BOLT	60	10527003	NOSE COVER B	92	19914013	HEX. SOC. HD. BOLT
29	19913150	O-RING	61	19917020	SPRING PIN	93	10413002	DUST COVER
30	19914005	HEX. SOC. HD. BOLT	62	2122401G	PUSHER			
31	10527005	GASKET	63	19916002	SPRING			
32	2111101G	NOSE	64	19906010	SHAFT			20200527