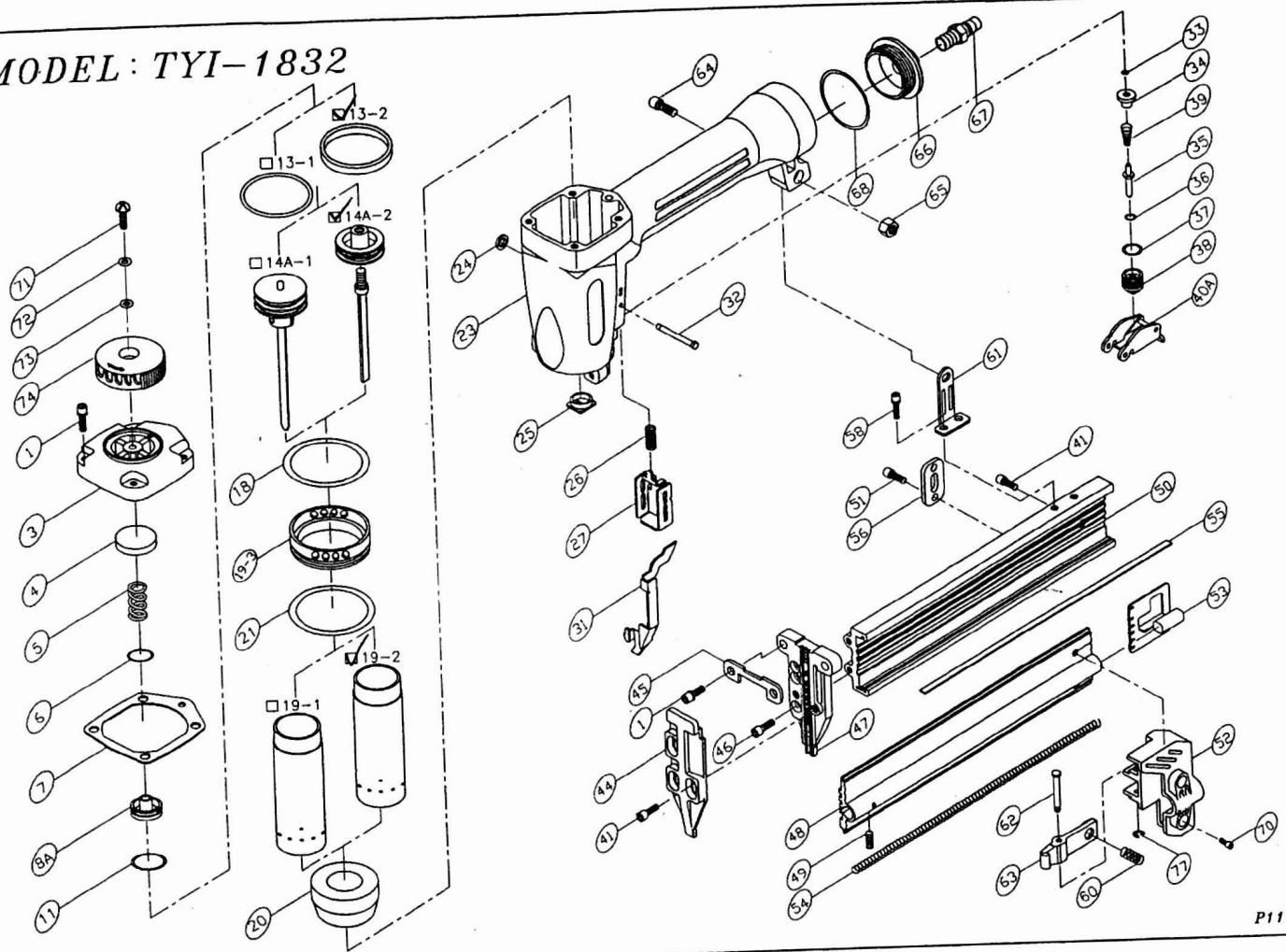


MODEL: TYI-1832



P1113

PARTS LIST (TYI-1832)

*WHEN ORDERING SPARE PARTS, PLEASE STATE ITEM No., PART No. AND DESCRIPTION.

| ITEM | PART NO | DESCRIPTION | ITEM | PART NO | DESCRIPTION | ITEM | PART NO | DESCRIPTION |
|-------|-----------|-----------------------|------|-----------|-----------------------|------|---------|-------------|
| 1 | HS0516BW | HEX. SOC. HD. BOLT+SW | 44 | 12104404 | DRIVER GUIDE COVER | | | |
| 3 | 11100302 | CAP | 45 | 12104501 | SET PLATE | | | |
| 4 | 12100401 | SEAL** | 46 | HS0412B | HEX. SOC. HD. BOLT | | | |
| 5 | 12100501 | SPRING** | 47 | 12104701 | DRIVER GUIDE | | | |
| 6 | OR1425R | O RING** | 48 | 11004802 | MAGAZINE COVER | | | |
| 7 | 11100701 | CAP SEAL** | 49 | SS0412S | SET SCREW | | | |
| 8A | 12100801A | HEAD VALVE ASM. | 50 | 11105002- | MAGAZINE | | | |
| 11 | OR3224R | O RING** | 51 | HS0406B | HEX. SOC. HD. BOLT | | | |
| 13-1 | OR2331R | O RING** | 52 | 11105202 | END CORE | | | |
| 13-2 | 11001303 | PISTON RING | 53 | 12105301 | PUSHER | | | |
| 14A-1 | 11001401A | DRIVER ASSEMBLY** | 54 | 12105401 | SPRING** | | | |
| 14A-2 | 11001402A | DRIVER ASSEMBLY** | 55 | 12105501 | NAIL GUIDE LINER | | | |
| 18 | OR4630R | O RING** | 56 | 13908201 | SET PLATE | | | |
| 19-1 | 11101902 | CYLINDER | 58 | HS0408BW | HEX. SOC. HD. BOLT+SW | | | |
| 19-2 | 11101902G | CYLINDER | 60 | 11106001 | SPRING** | | | |
| 19-3 | 11101903 | COLLAR | 61 | 11106102 | BRACKET | | | |
| 20 | 11002001 | BUMPER** | 62 | 13908401 | STEPPED PIN | | | |
| 21 | OR3018R | O RING** | 63 | 13908101 | STOPPER | | | |
| 23 | 11102307 | BODY | 64 | HS0516B | HEX. SOC. HD. BOLT | | | |
| 24 | OR1919H | O RING** | 65 | LN0500N | LOCK NUT | | | |
| 25 | 10902501 | JOINT GUIDE | 66 | 11106601 | COVER | | | |
| 26 | 11002601 | SPRING | 67 | 12106401 | AIR PLUG | | | |
| 27 | 11002702 | GUIDE SAFETY LEVER | 68 | OR4030R | O RING** | | | |
| 31 | 11003101 | SAFETY LEVER | 70 | HS0408B | HEX. SOC. HD. BOLT | | | |
| 32 | 12103202 | STEPPED PIN | 71 | US0506B | UM. HD. BOLT | | | |
| 33 | OR0319R | O RING** | 72 | FW0512W | FLAT WASHER | | | |
| 34 | 11003401 | TRIGGER VALVE HEAD | 73 | 12103301 | SEAL | | | |
| 35 | 11003503 | TRIGGER VALVE STEM | 74 | 13907403 | EXHAUST COVER | | | |
| 36 | OR2515H | O RING** | 77 | ER0200H | E RING | | | |
| 37 | OR1119R | O RING** | | | | | | |
| 38 | 11003803 | TRIGGER VALVE GUIDE | | | | | | |
| 39 | 11006901 | SPRING | | | | | | |
| 40A | 15104501A | TRIGGER ASSEMBLY | | | | | | |
| 41 | HS0507B | HEX. SOC. HD. BOLT | | | | | | |

NO : P1113