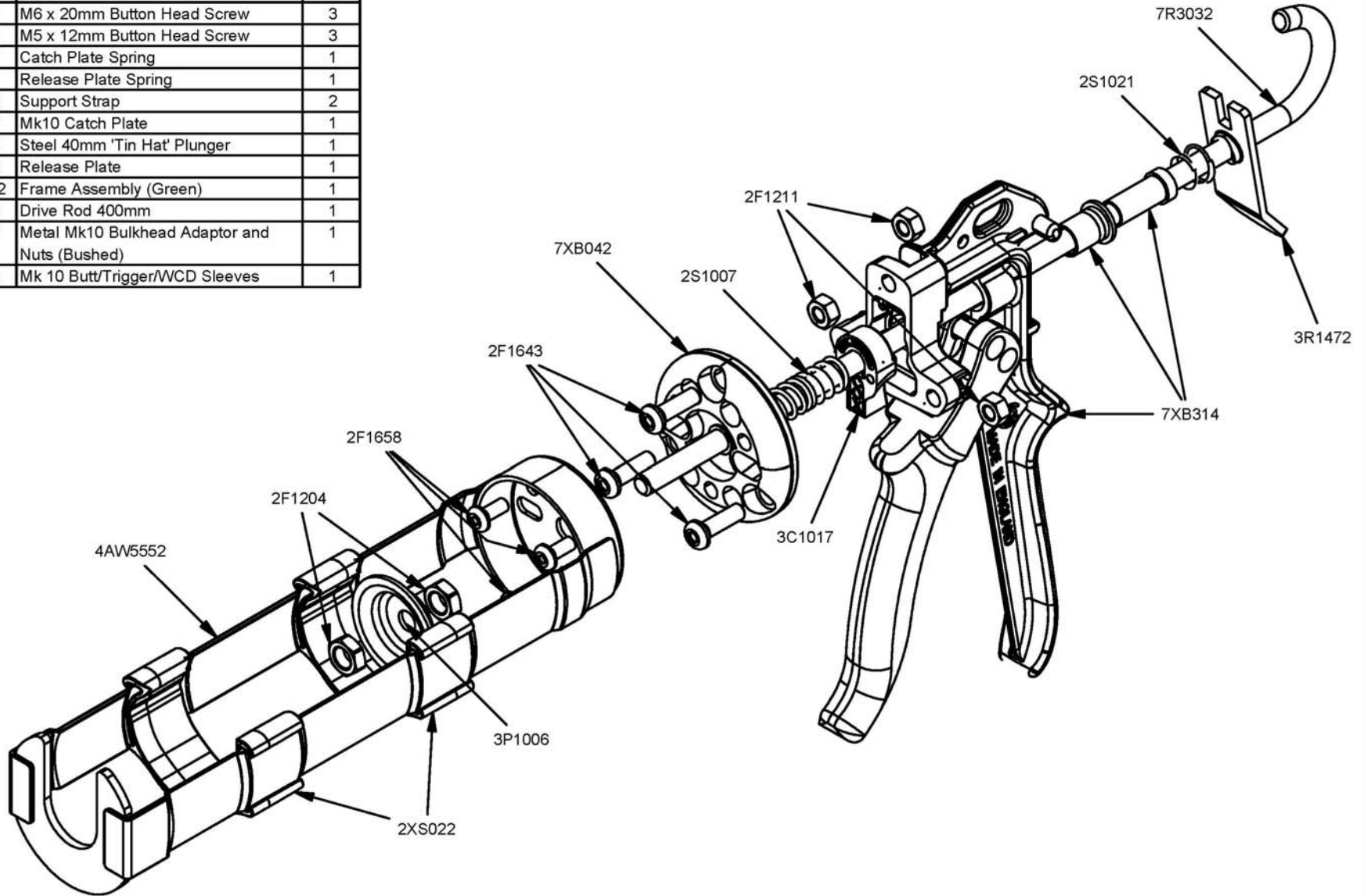


Parts List		
STOCK No	DESCRIPTION	QTY
2F1204	M8 Lock Nut	2
2F1211	M6 Nut	3
2F1643	M6 x 20mm Button Head Screw	3
2F1658	M5 x 12mm Button Head Screw	3
2S1007	Catch Plate Spring	1
2S1021	Release Plate Spring	1
2XS022	Support Strap	2
3C1017	Mk10 Catch Plate	1
3P1006	Steel 40mm 'Tin Hat' Plunger	1
3R1472	Release Plate	1
4AW5552	Frame Assembly (Green)	1
7R3032	Drive Rod 400mm	1
7XB042	Metal Mk10 Bulkhead Adaptor and Nuts (Bushed)	1
7XB314	Mk 10 Butt/Trigger/WCD Sleeves	1



41004-2T - Ascot



REV	DATE
E	07/08/2003