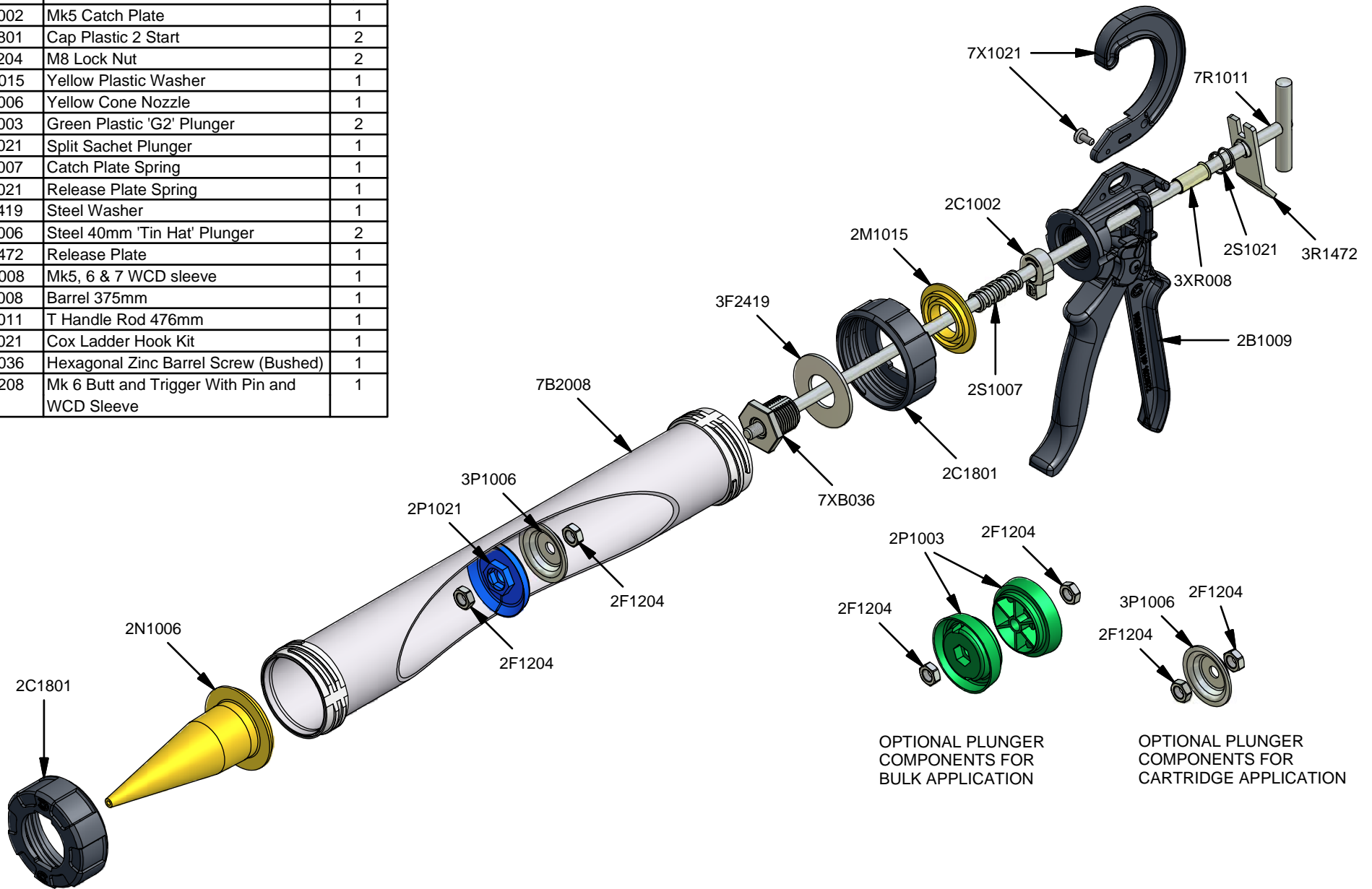


Parts List		
STOCK No	DESCRIPTION	QTY
2C1002	Mk5 Catch Plate	1
2C1801	Cap Plastic 2 Start	2
2F1204	M8 Lock Nut	2
2M1015	Yellow Plastic Washer	1
2N1006	Yellow Cone Nozzle	1
2P1003	Green Plastic 'G2' Plunger	2
2P1021	Split Sachet Plunger	1
2S1007	Catch Plate Spring	1
2S1021	Release Plate Spring	1
3F2419	Steel Washer	1
3P1006	Steel 40mm 'Tin Hat' Plunger	2
3R1472	Release Plate	1
3XR008	Mk5, 6 & 7 WCD sleeve	1
7B2008	Barrel 375mm	1
7R1011	T Handle Rod 476mm	1
7X1021	Cox Ladder Hook Kit	1
7XB036	Hexagonal Zinc Barrel Screw (Bushed)	1
7XB208	Mk 6 Butt and Trigger With Pin and WCD Sleeve	1



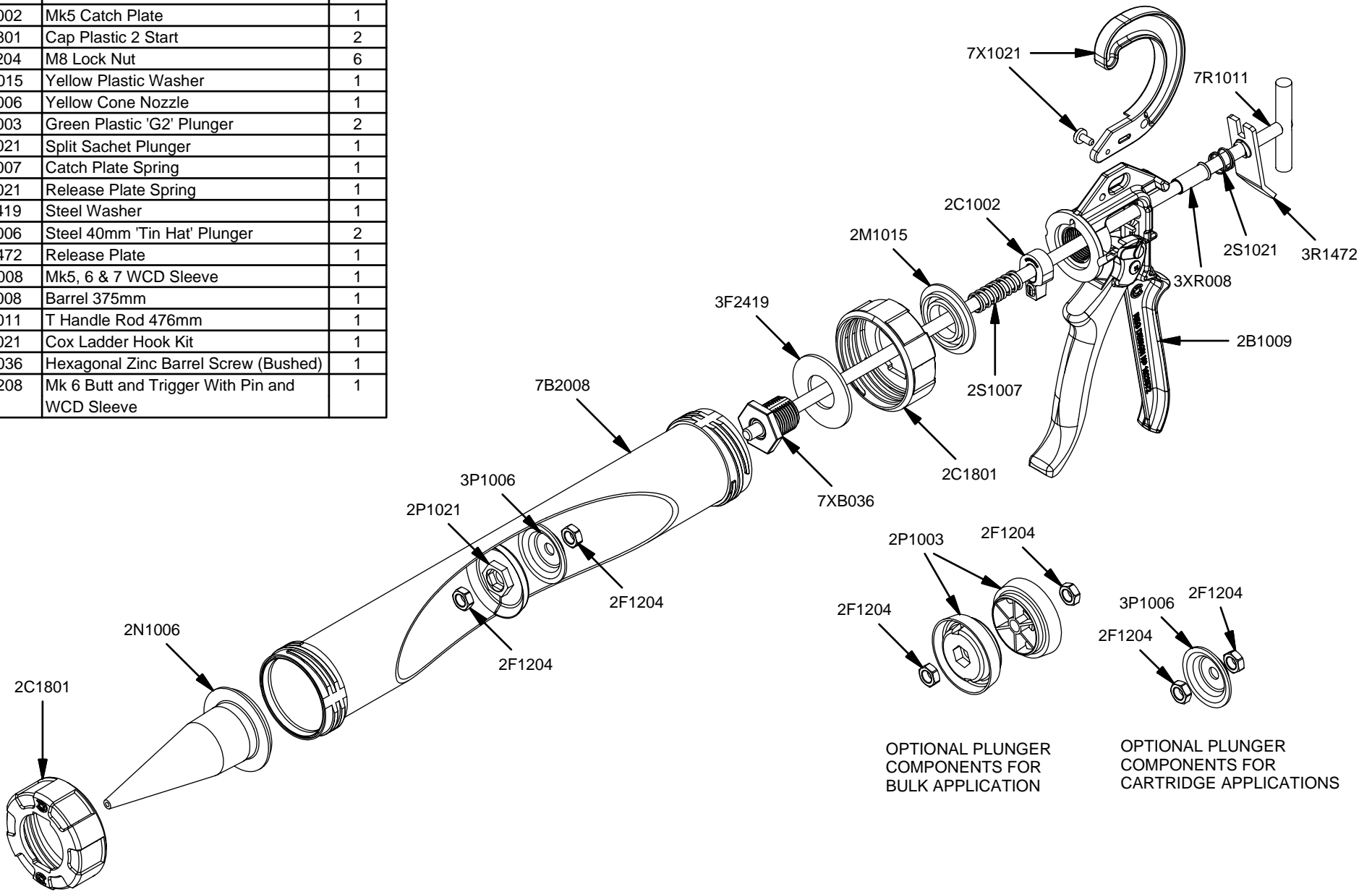
15" Sausage Gun XT



www.cox-applicators.com
 sales@cox-applicators.com
 800-822-8114

REV	DATE
A	19/05/2006

Parts List		
STOCK No	DESCRIPTION	QTY
2C1002	Mk5 Catch Plate	1
2C1801	Cap Plastic 2 Start	2
2F1204	M8 Lock Nut	6
2M1015	Yellow Plastic Washer	1
2N1006	Yellow Cone Nozzle	1
2P1003	Green Plastic 'G2' Plunger	2
2P1021	Split Sachet Plunger	1
2S1007	Catch Plate Spring	1
2S1021	Release Plate Spring	1
3F2419	Steel Washer	1
3P1006	Steel 40mm 'Tin Hat' Plunger	2
3R1472	Release Plate	1
3XR008	Mk5, 6 & 7 WCD Sleeve	1
7B2008	Barrel 375mm	1
7R1011	T Handle Rod 476mm	1
7X1021	Cox Ladder Hook Kit	1
7XB036	Hexagonal Zinc Barrel Screw (Bushed)	1
7XB208	Mk 6 Butt and Trigger With Pin and WCD Sleeve	1



15" Sausage Gun XT



www.cox-applicators.com
 sales@cox-applicators.com
 800-822-8114

REV	DATE
A	19/05/2006

REV	DATE
A	19/05/2006