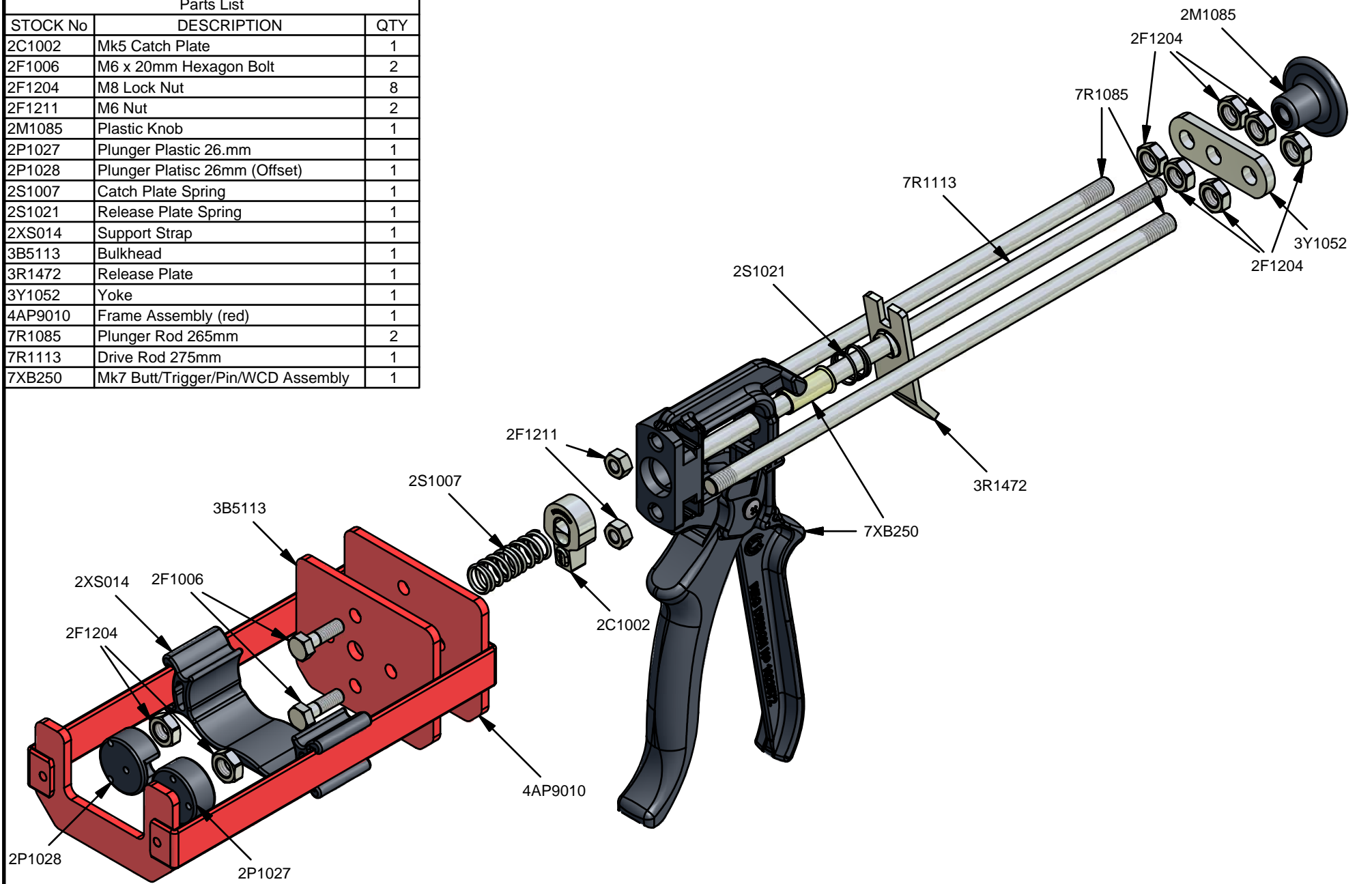


Parts List		
STOCK No	DESCRIPTION	QTY
2C1002	Mk5 Catch Plate	1
2F1006	M6 x 20mm Hexagon Bolt	2
2F1204	M8 Lock Nut	8
2F1211	M6 Nut	2
2M1085	Plastic Knob	1
2P1027	Plunger Plastic 26.mm	1
2P1028	Plunger Platisc 26mm (Offset)	1
2S1007	Catch Plate Spring	1
2S1021	Release Plate Spring	1
2XS014	Support Strap	1
3B5113	Bulkhead	1
3R1472	Release Plate	1
3Y1052	Yoke	1
4AP9010	Frame Assembly (red)	1
7R1085	Plunger Rod 265mm	2
7R1113	Drive Rod 275mm	1
7XB250	Mk7 Butt/Trigger/Pin/WCD Assembly	1

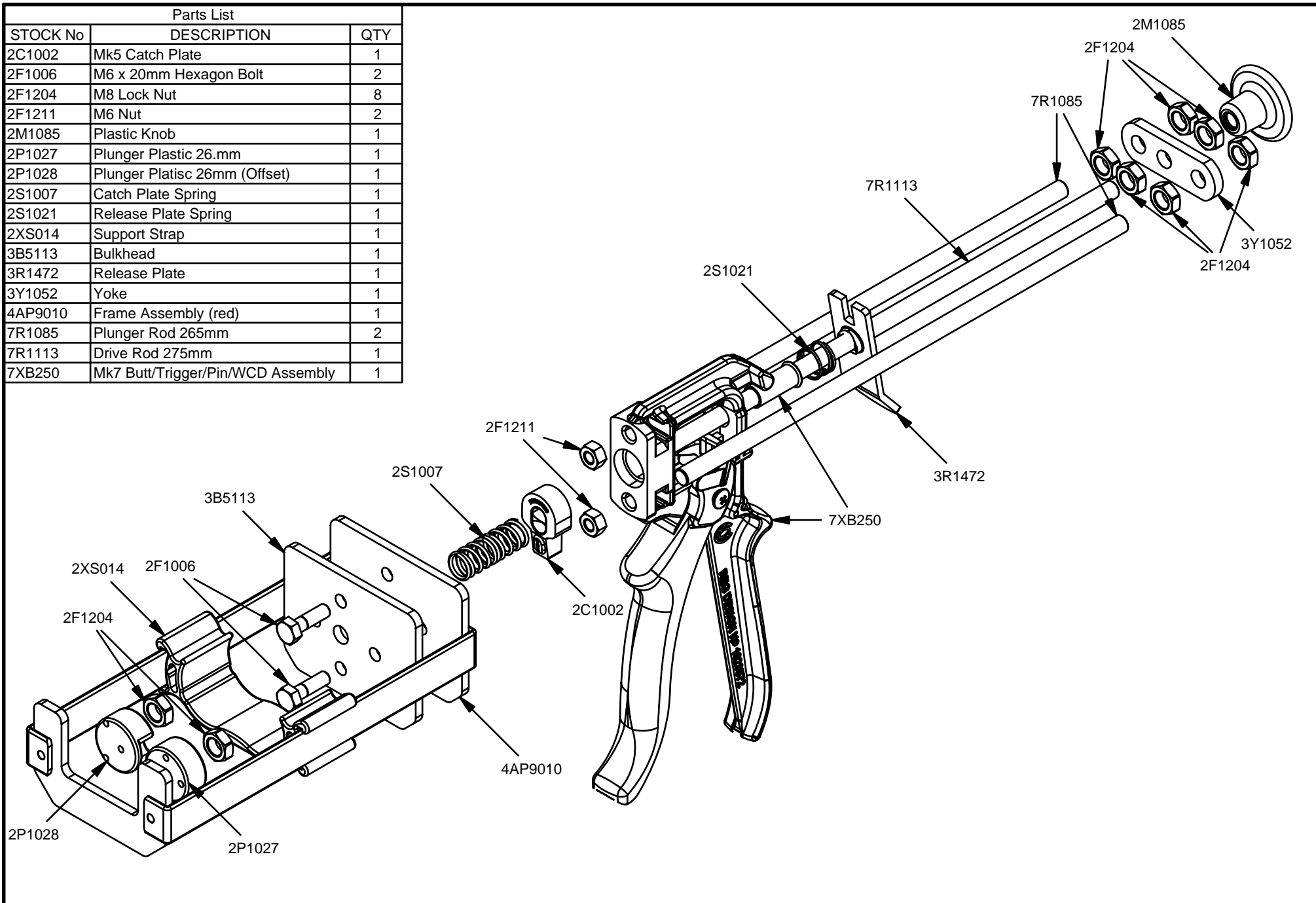


DBM 90



REV	DATE
B	22/06/2004

Parts List		
STOCK No	DESCRIPTION	QTY
2C1002	Mk5 Catch Plate	1
2F1006	M6 x 20mm Hexagon Bolt	2
2F1204	M8 Lock Nut	8
2F1211	M6 Nut	2
2M1085	Plastic Knob	1
2P1027	Plunger Plastic 26.mm	1
2P1028	Plunger Platisc 26mm (Offset)	1
2S1007	Catch Plate Spring	1
2S1021	Release Plate Spring	1
2XS014	Support Strap	1
3B5113	Bulkhead	1
3R1472	Release Plate	1
3Y1052	Yoke	1
4AP9010	Frame Assembly (red)	1
7R1085	Plunger Rod 265mm	2
7R1113	Drive Rod 275mm	1
7XB250	Mk7 Butt/Trigger/Pin/WCD Assembly	1



DBM 90



REV	DATE
B	22/06/2004