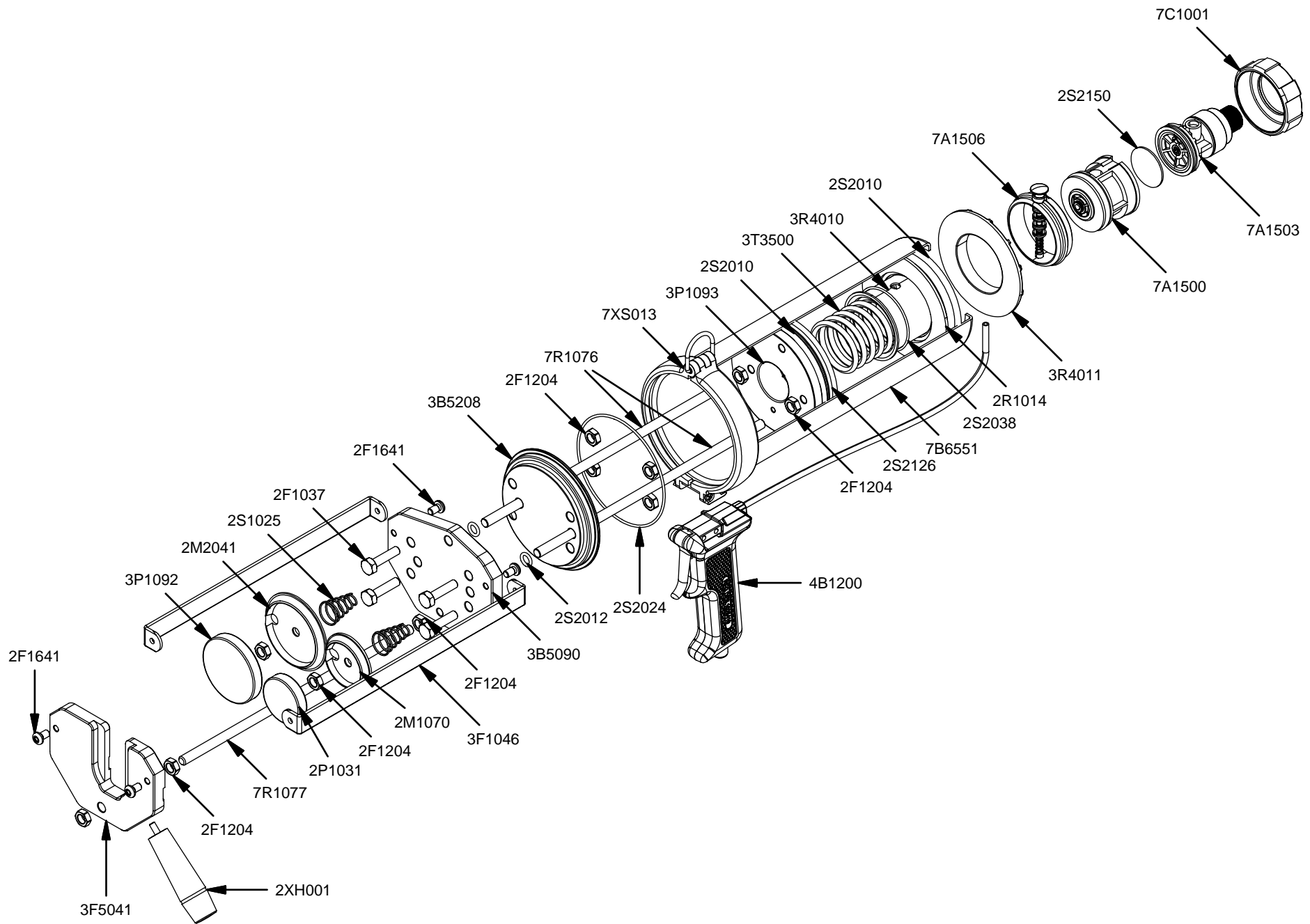


CNA PPA 600 A 600:300



www.cox-applicators.com
 sales@cox-applicators.com
 800-822-8114

REV	DATE
A	02/08/2006



CNA PPA 600 A 600:300



www.cox-applicators.com
 sales@cox-applicators.com
 800-822-8114

REV	DATE
A	02/08/2006

Parts List		
STOCK No	DESCRIPTION	QTY
2F1037	M8 x 30mm Bolt	4
2F1204	M8 Lock Nut	11
2F1641	M6 x 10mm Button Head Screw	4
2M1070	300ml Cartridge Support	1
2M2041	600ml Cartridge Support	1
2P1031	Plunger Ally 42mm	1
2R1014	Reducer Flange	1
2S1025	Cartridge Locator Spring	2
2S2010	O Ring	2
2S2012	O Ring	2
2S2024	O Ring	1
2S2038	O Ring	1
2S2126	3 7/8" Piston U seal	1
2S2150	Dump Valve Diaphragm	1
2XH001	Handle	1
3B5090	Bulkhead Plate	1
3B5208	Bulkhead bung (No hole for indicator rod)	1
3F1046	Frame	2
3F5041	Front Plate	1
3P1092	Plunger Ally 60mm	1
3P1093	Piston (Including Air Return Fitting)	1
3R4010	Reducer	1
3R4011	Plastic Backing Ring	1
3T3500	Coiled Tube	1
4B1200	Air Gun Butt Assembly	1
7A1500	Dump Valve Body assembly	1
7A1503	Regulator Assembly (including O ring and washer)	1
7A1506	Spool valve assembly	1
7B6551	Barrel 272mm	1
7C1001	Air Gun Back Cap	1
7R1076	Plunger Rod 262mm	2
7R1077	Rod 267mm	1
7XS013	Barrel Strap (including screws/nuts)	1

CNA PPA 600 A 600:300



www.cox-applicators.com
 sales@cox-applicators.com
 800-822-8114

REV
 A

DATE
 02/08/2006