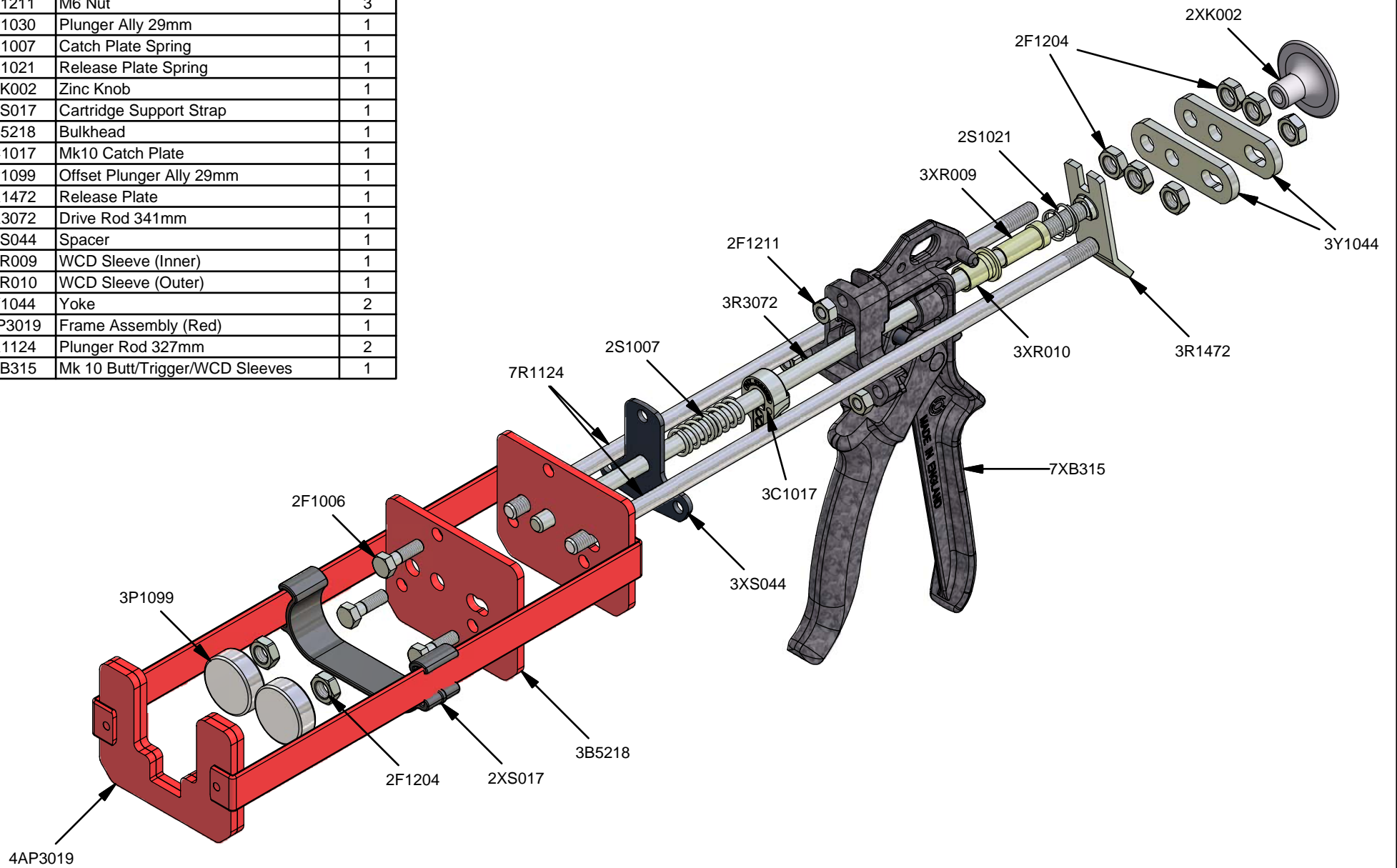


Parts List		
STOCK No	DESCRIPTION	QTY
2F1006	M6 x 20mm Hexagon Bolt	3
2F1204	M8 Lock Nut	8
2F1211	M6 Nut	3
2P1030	Plunger Ally 29mm	1
2S1007	Catch Plate Spring	1
2S1021	Release Plate Spring	1
2XK002	Zinc Knob	1
2XS017	Cartridge Support Strap	1
3B5218	Bulkhead	1
3C1017	Mk10 Catch Plate	1
3P1099	Offset Plunger Ally 29mm	1
3R1472	Release Plate	1
3R3072	Drive Rod 341mm	1
3XS044	Spacer	1
3XR009	WCD Sleeve (Inner)	1
3XR010	WCD Sleeve (Outer)	1
3Y1044	Yoke	2
4AP3019	Frame Assembly (Red)	1
7R1124	Plunger Rod 327mm	2
7XB315	Mk 10 Butt/Trigger/WCD Sleeves	1



PPM 150 X

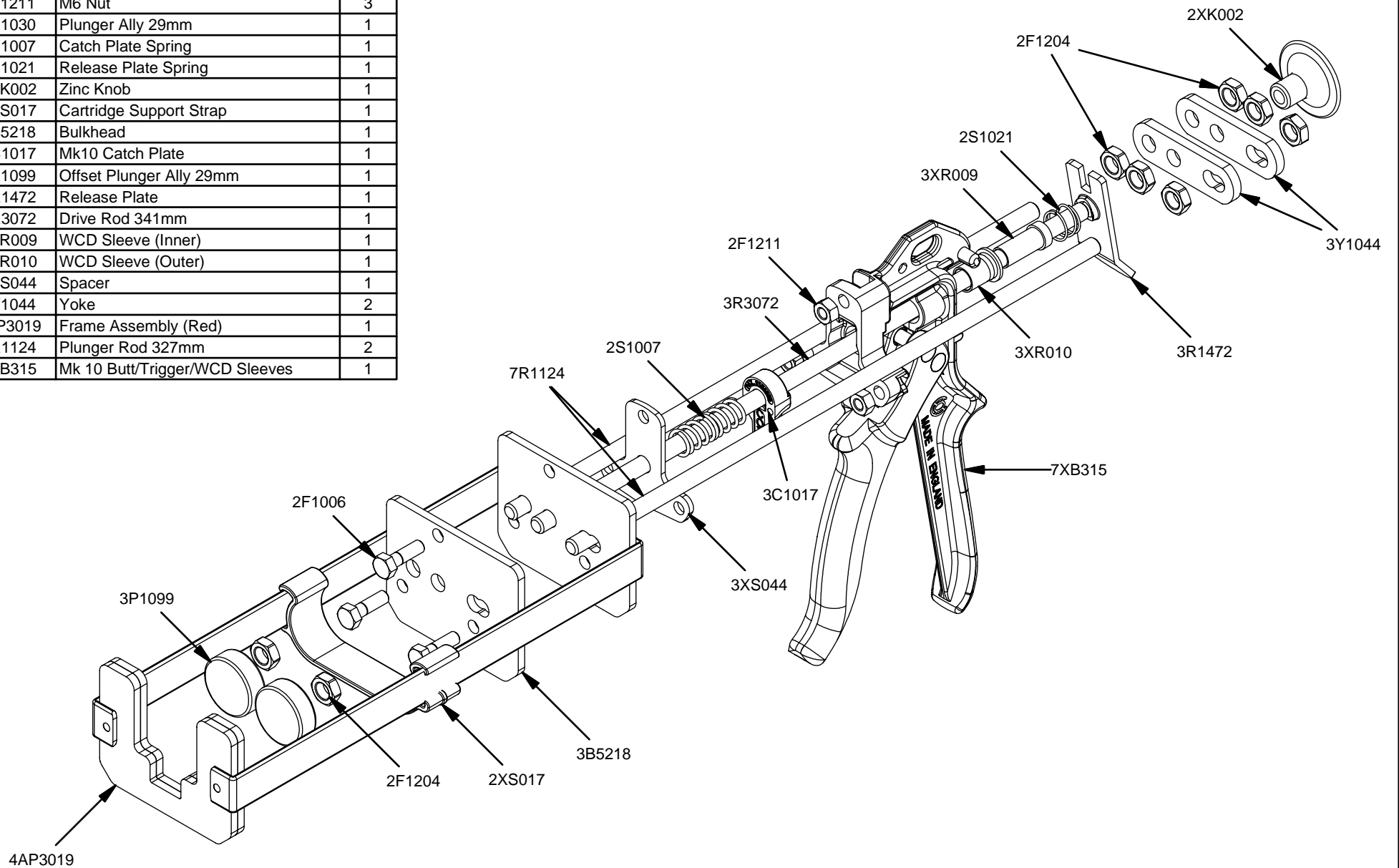


www.cox-applicators.com
 sales@cox-applicators.com
 800-822-8114

REV
 A

DATE
 26/07/2006

Parts List		
STOCK No	DESCRIPTION	QTY
2F1006	M6 x 20mm Hexagon Bolt	3
2F1204	M8 Lock Nut	8
2F1211	M6 Nut	3
2P1030	Plunger Ally 29mm	1
2S1007	Catch Plate Spring	1
2S1021	Release Plate Spring	1
2XK002	Zinc Knob	1
2XS017	Cartridge Support Strap	1
3B5218	Bulkhead	1
3C1017	Mk10 Catch Plate	1
3P1099	Offset Plunger Ally 29mm	1
3R1472	Release Plate	1
3R3072	Drive Rod 341mm	1
3XR009	WCD Sleeve (Inner)	1
3XR010	WCD Sleeve (Outer)	1
3XS044	Spacer	1
3Y1044	Yoke	2
4AP3019	Frame Assembly (Red)	1
7R1124	Plunger Rod 327mm	2
7XB315	Mk 10 Butt/Trigger/WCD Sleeves	1



PPM 150 X



www.cox-applicators.com
 sales@cox-applicators.com
 800-822-8114

REV
 A

DATE
 26/07/2006