

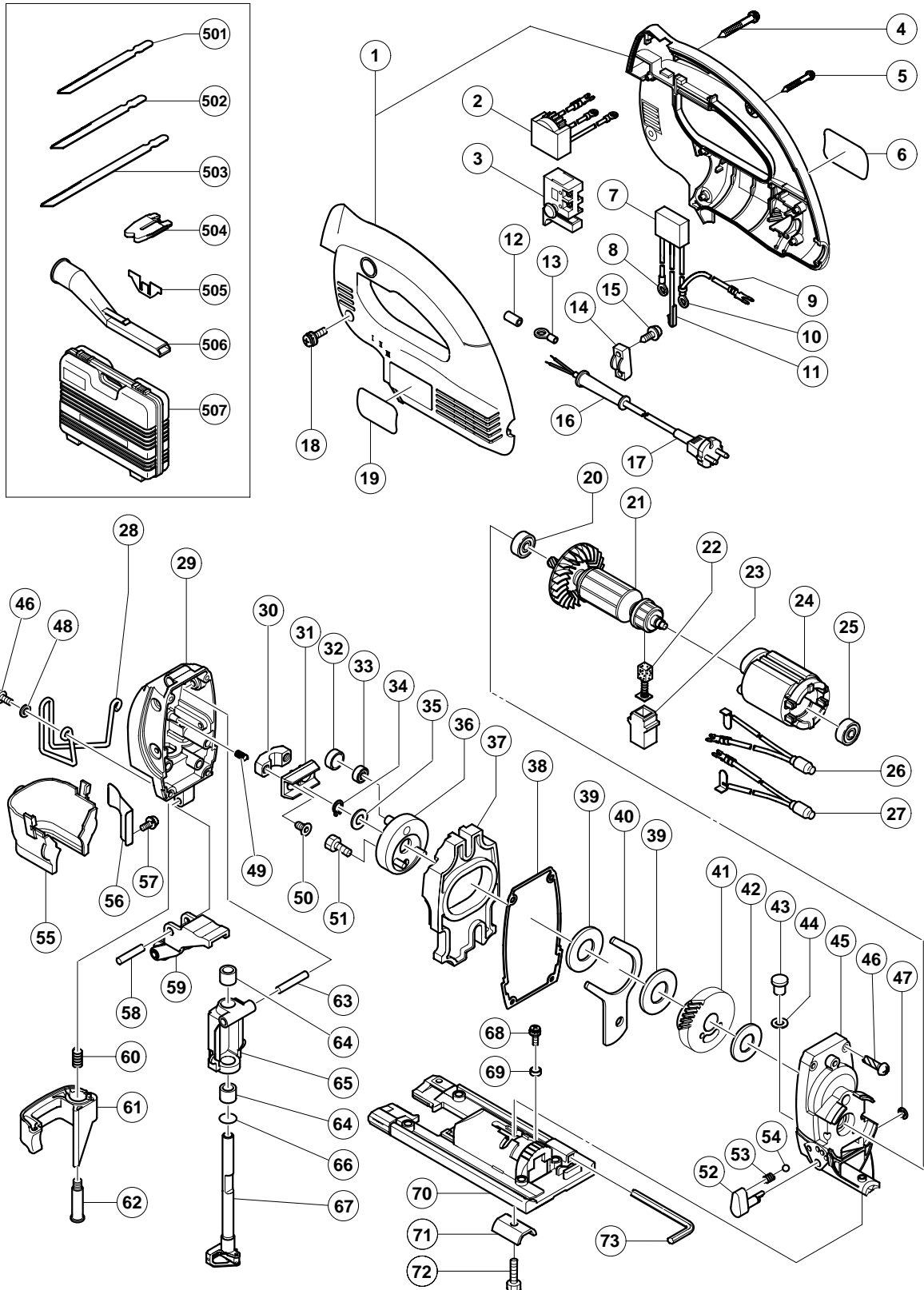
## ELECTRIC TOOL PARTS LIST

### JIG SAW

2002 · 11 · 30

Model CJ 120V

(E1)



**PARTS**

CJ 120V

ITEM NO.	CODE NO.	DESCRIPTION	NO. USED	REMARKS
1	321-585	HOUSING (A).(B) SET	1	
* 2	321-588	CONTROLLER CIRCUIT 230V-240V	1	
* 2	321-589	CONTROLLER CIRCUIT 110V	1	FOR GBR (110V)
* 2	321-685	CONTROLLER CIRCUIT 120V	1	FOR USA, CAN
3	314-887	SWITCH (2P SCREW TYPE) W/LOCK	1	
4	305-490	TAPPING SCREW (W/FLANGE) D4X30 (BLACK)	1	
5	301-653	TAPPING SCREW (W/FLANGE) D4X20 (BLACK)	5	
6		NAME PLATE	1	
7	994-273	NOISE SUPPRESSOR	1	
8	960-356	TERMINAL (A) M3.5 (10 PCS.)	1	
9	321-587	INTERNAL WIRE	1	
10	311-741	TERMINAL	1	
11	302-488	EARTH TERMINAL	1	
* 12	981-373	TUBE (D)	2	FOR GBR (110V)
* 13	980-063	TERMINAL	2	FOR CORD
14	960-266	CORD CLIP	1	
15	984-750	TAPPING SCREW (W/FLANGE) D4X16	2	
16	953-327	CORD ARMOR D8.8	1	
* 17	500-234Z	CORD	1	(CORD ARMOR D8.8)
* 17	500-247Z	CORD	1	(CORD ARMOR D8.8) FOR NOR, SWE, DEN, FIN
* 17	500-423Z	CORD	1	(CORD ARMOR D8.8) FOR SIN, MAL, SRI
* 17	500-240Z	CORD	1	(CORD ARMOR D8.8) FOR USA, CAN
* 17	500-439Z	CORD	1	(CORD ARMOR D8.8) FOR AUS, NZL
* 17	500-450Z	CORD	1	(CORD ARMOR D8.8) FOR GBR (230V)
* 17	500-237Z	CORD	1	(CORD ARMOR D8.8) FOR GBR (110V)
* 17	500-447Z	CORD	1	(CORD ARMOR D8.8) FOR SUI
18	321-577	SEAL LOCK SCREW (W/WASHER) M4X10	2	
19		HITACHI LABEL	1	
20	608-DDW	BALL BEARING 608DDW	1	
* 21	360-593U	ARMATURE ASS'Y 110V-120V	1	INCLUD. 20, 25
* 21	360-593E	ARMATURE 230V	1	
* 21	360-593F	ARMATURE 240V	1	
22	999-041	CARBON BRUSH (1 PAIR)	2	
23	955-203	BRUSH HOLDER	2	
* 24	340-545C	STATOR 110V-120V	1	
* 24	340-545E	STATOR 230V-240V	1	
25	608-DDM	BALL BEARING 608DDC2PS2L	1	
26	321-609	CHOKE COIL	1	
27	321-608	CHOKE COIL	1	
28	321-582	GUARD BAR	1	
29	321-584	UPPER COVER	1	
30	321-572	CONNECTOR HOLDER	1	
31	321-570	CONNECTOR	1	
32	321-569	CONNECTING PIECE	1	
33	940-917	NEEDLE BEARING NTN K6X9X8T2	1	
34	940-079	RETAINING RING FOR D8 SHAFT	1	
35	963-351	WASHER (B)	1	
36	305-742	WEIGHT HOLDER	1	
37	321-565	BALANCE WEIGHT	1	
38	321-564	PACKING	1	
39	963-349	WASHER (A)	2	



