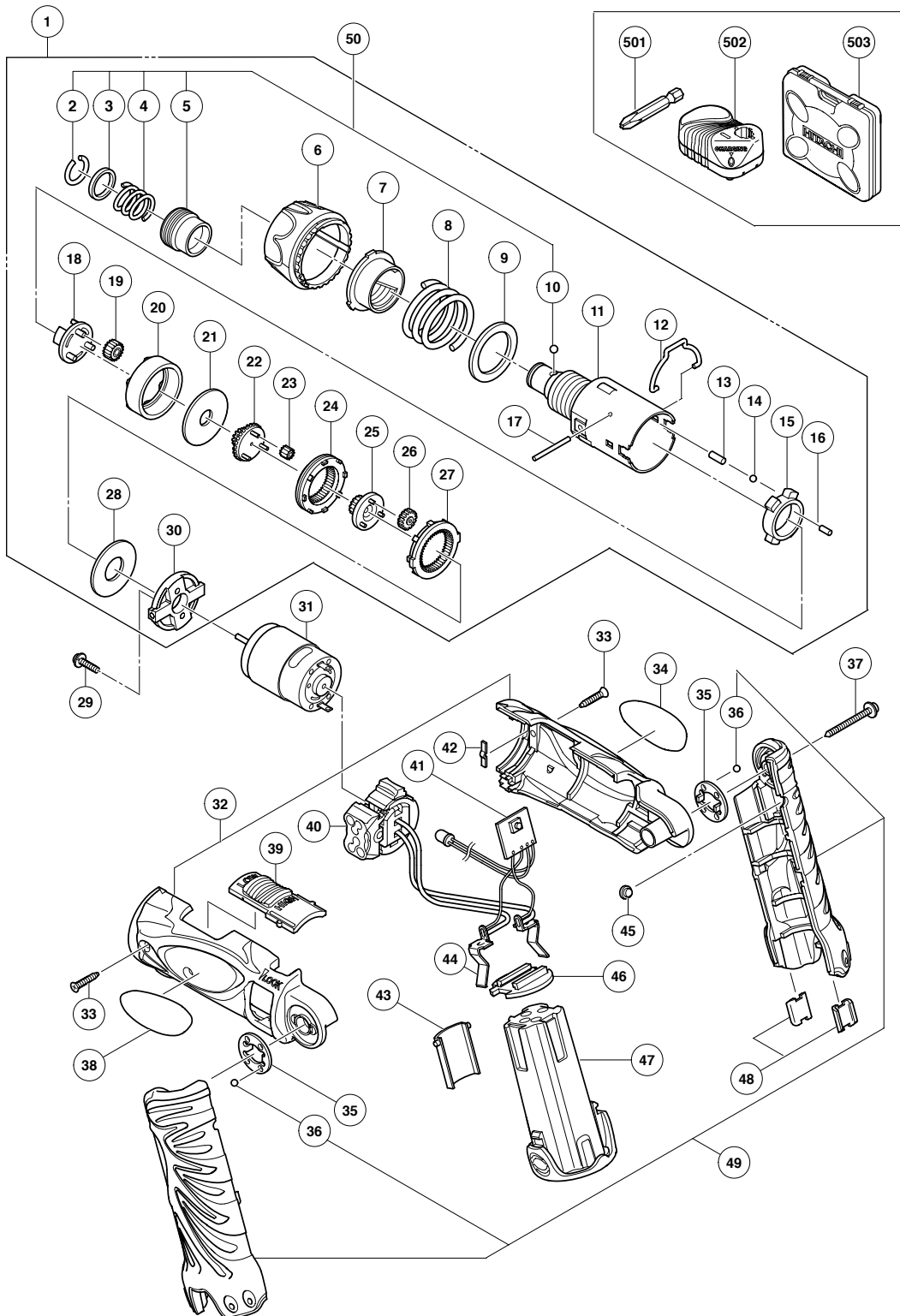


ELECTRIC TOOL PARTS LIST

CORDLESS DRIVER DRILL
Model DB 3DL

2006 · 9 · 15
(E1)



PARTS

DB 3DL

ITEM NO.	CODE NO.	DESCRIPTION	NO. USED	REMARKS
1	326-348	GEAR BOX ASS'Y	1	INCLUD. 2-28, 30
2	315-984	RETAINING RING	1	
3	315-983	WASHER (D)	1	
4	320-409	GUIDE SPRING	1	
5	319-921	GUIDE SLEEVE (A)	1	
6	326-342	CLUTCH DIAL	1	
7	326-341	NUT	1	
8	326-340	SPRING	1	
9	326-339	WASHER (D)	1	
10	319-535	STEEL BALL D3.5 (10 PCS.)	1	
11	326-349	GEAR CASE	1	
12	326-345	SHIFT ARM	1	
13	326-338	PIN SET (3 PCS.)	3	
14	317-788	STEEL BALL D3	3	
15	326-323	LOCK RING	1	
16	326-324	NEEDLE ROLLER SET (6 PCS.)	6	
17	326-329	NEEDLE	2	
18	326-325	CARRIER	1	
19	326-327	PLANET GEAR (C) SET (3 PCS.)	3	
20	326-326	RING GEAR	1	
21	326-328	WASHER (B)	1	
22	326-330	PINION (C)	1	
23	326-332	PLANET GEAR (B) SET (3 PCS.)	3	
24	326-331	SLIDE RING GEAR	1	
25	326-333	PINION (B)	1	
26	326-335	PLANET GEAR (A) SET (3 PCS.)	3	
27	326-334	FIRST RING GEAR	1	
28	326-336	WASHER (A)	1	
29	326-319	MACHINE SCREW (W/SP. WASHER) M2.6X8	2	
30	326-337	MOTOR SPACER	1	
31	326-310	MOTOR	1	
32	326-307	HOUSING (A).(B) SET	1	
33	984-319	PAN HD. TAPPING SCREW D3X8	4	
34		NAME PLATE	1	
35	326-315	CLICK PLATE	2	
36	317-788	STEEL BALL D3	4	
37	302-086	TAPPING SCREW (W/FLANGE) D4X20 (BLACK)	1	
38		HITACHI LABEL	1	
39	326-308	SHIFT KNOB	1	
40	326-311	SWITCH (W/LOCK)	1	
41	326-313	PRINTED CIRCUIT BOARD	1	
42	326-309	CLICK SPRING	1	
43	326-314	HANDLE COVER	1	
44	326-312	TERMINAL	2	
45	326-317	BUTTON	1	
46	326-316	TERMINAL SUPPORT	1	
* 47	326-299	BATTERY EBM 315 (EUROPE, AUS, NZL)	2	
* 47	326-263	BATTERY EBM 315 (USA, CAN)	2	
48	326-318	CLIP	2	
49	326-347	HANDLE (A).(B) SET	1	INCLUD. 36
50	320-085	GUIDE SLEEVE SET	1	INCLUD. 2-5, 10

