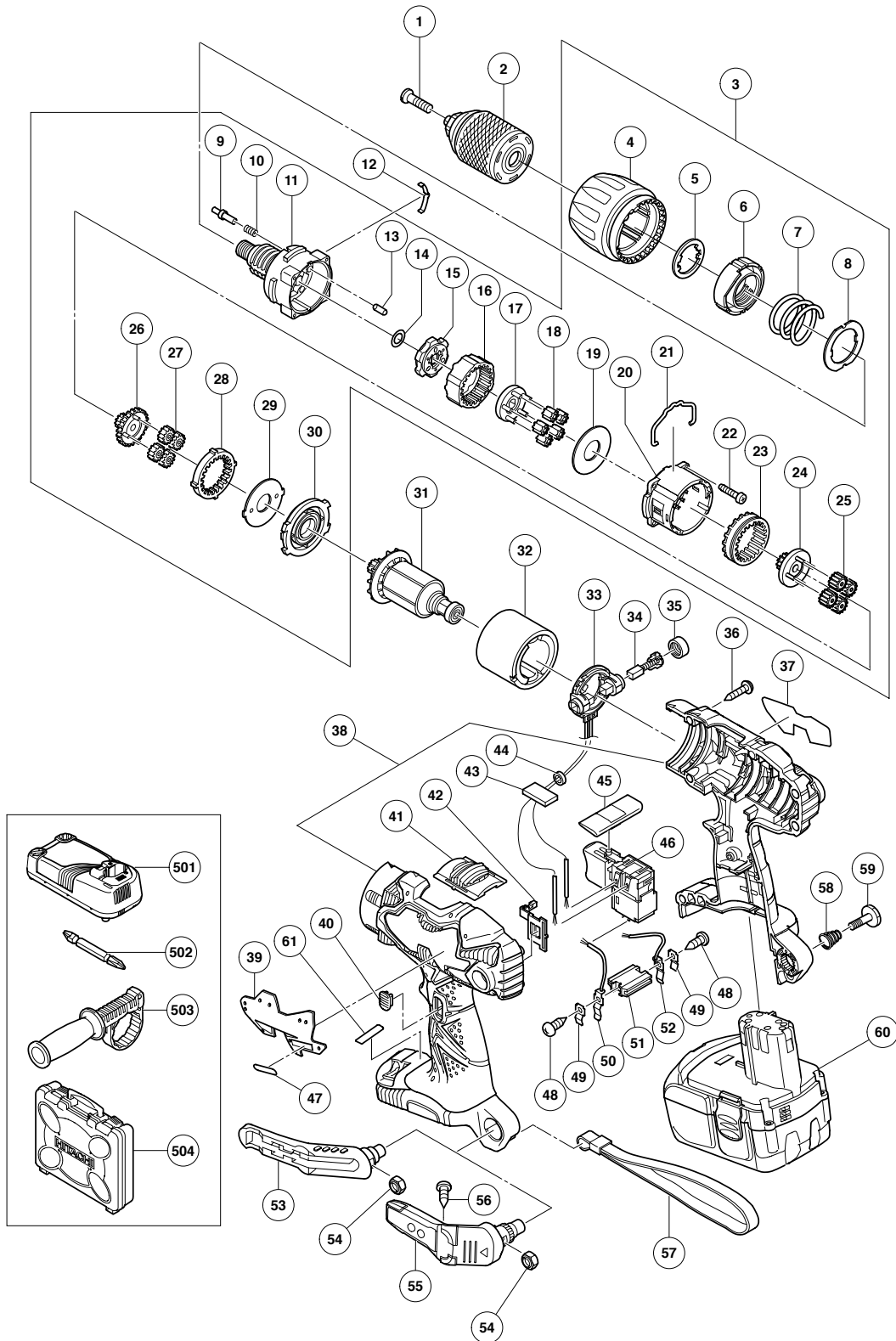


## ELECTRIC TOOL PARTS LIST

### CORDLESS IMPACT DRIVER DRILL 2006 · 7 · 6 Model DV 18DL (E1)



**PARTS**

DV 18DL

| ITEM NO. | CODE NO. | DESCRIPTION                             | NO. USED | REMARKS                  |
|----------|----------|---|----------|--------------------------|
| 1        | 311-959  | SPECIAL SCREW (LEFT HAND) M6X23         | 1        |                          |
| 2        | 323-898  | DRILL CHUCK 13VLRL-N (W/O CHUCK WRENCH) | 1        |                          |
| 3        | 324-061  | GEAR BOX ASS'Y                          | 1        | INCLUD. 4-11, 13-30      |
| 4        | 324-074  | FRONT CAP                               | 1        |                          |
| 5        | 324-136  | SWITCH PLATE                            | 1        |                          |
| 6        | 324-064  | NUT                                     | 1        |                          |
| 7        | 324-135  | SPRING                                  | 1        |                          |
| 8        | 324-063  | THRUST WASHER                           | 1        |                          |
| 9        | 322-972  | STOPPER                                 | 2        |                          |
| 10       | 322-971  | STOPPER SPRING                          | 2        |                          |
| 11       | 324-062  | FRONT CASE                              | 1        |                          |
| 12       | 320-773  | CLICK SPRING                            | 1        |                          |
| 13       | 322-975  | PIN SET (6 PCS.)                        | 6        |                          |
| 14       | 322-980  | WASHER (A)                              | 1        |                          |
| 15       | 322-976  | LOCK RING                               | 1        |                          |
| 16       | 324-066  | RING GEAR                               | 1        |                          |
| 17       | 322-978  | CARRIER                                 | 1        |                          |
| 18       | 324-067  | PLANET GEAR (C) SET (5 PCS.)            | 5        |                          |
| 19       | 324-065  | WASHER (D)                              | 1        |                          |
| 20       | 322-981  | REAR CASE                               | 1        |                          |
| 21       | 322-990  | SHIFT ARM                               | 1        |                          |
| 22       | 320-087  | SCREW SET M3X12 (4 PCS.)                | 4        |                          |
| 23       | 324-069  | SLIDE RING GEAR                         | 1        |                          |
| 24       | 324-068  | PINION (C)                              | 1        |                          |
| 25       | 324-070  | PLANET GEAR (B) SET (4 PCS.)            | 4        |                          |
| 26       | 324-071  | PINION (B)                              | 1        |                          |
| 27       | 324-073  | PLANET GEAR (A) SET (4 PCS.)            | 4        |                          |
| 28       | 324-072  | FIRST RING GEAR                         | 1        |                          |
| 29       | 322-988  | WASHER (B)                              | 1        |                          |
| 30       | 322-989  | MOTOR SPACER                            | 1        |                          |
| 31       | 360-701  | ARMATURE AND PINION SET                 | 1        |                          |
| 32       | 322-996  | MAGNET                                  | 1        |                          |
| 33       | 322-993  | BRUSH BLOCK                             | 1        |                          |
| 34       | 999-054  | CARBON BRUSH 5X6X11.5 (1 PAIR)          | 2        |                          |
| 35       | 319-918  | BRUSH CAP                               | 2        |                          |
| 36       | 313-687  | TAPPING SCREW (W/FLANGE) D3X16 (BLACK)  | 10       |                          |
| 37       |          | NAME PLATE                              | 1        |                          |
| 38       | 326-278  | HOUSING (A).(B) SET                     | 1        |                          |
| 39       | 326-279  | PLATE (A)                               | 1        |                          |
| 40       | 326-276  | LEVER (A)                               | 1        |                          |
| 41       | 324-137  | SHIFT KNOB                              | 1        |                          |
| 42       | 326-277  | LEVER (B)                               | 1        |                          |
| * 43     | 326-493  | SUPPORT (D)                             | 1        | EXCEPT FOR USA, CAN      |
| * 44     | 323-229  | FERRITE CORE                            | 1        | EXCEPT FOR USA, CAN, AUS |
| 45       | 322-997  | PUSHING BUTTON                          | 1        |                          |
| 46       | 322-994  | DC-SPEED CONTROL SWITCH                 | 1        |                          |
| 47       |          | HITACHI LABEL                           | 1        |                          |
| 48       | 958-715  | TAPPING SCREW D4X10                     | 2        |                          |
| 49       | 996-118  | HOLDER SPRING                           | 2        |                          |
| 50       | 323-003  | TERMINAL                                | 1        |                          |
| 51       | 320-997  | TERMINAL PIECE                          | 1        |                          |



