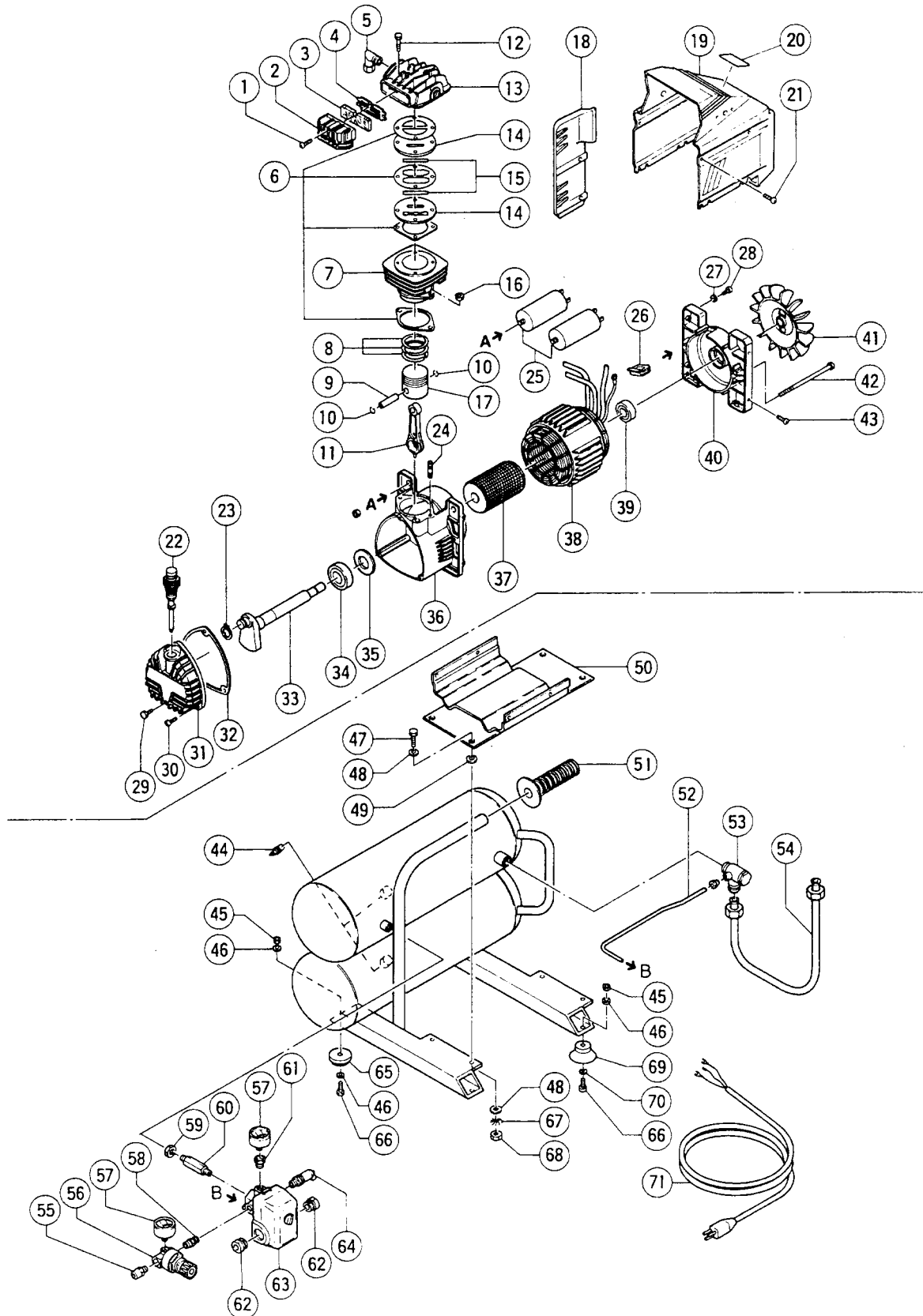


ELECTRIC TOOL PARTS LIST

■ AIR COMPRESSOR
Model EC 12

1996 · 11 · 30
(E1)



PARTS

EC 12

ITEM NO.	CODE NO.	DESCRIPTION	NO. USED	REMARKS
1	881-412	SCREW	1	
2	881-554	INTAKE FILTER	1	
3	881-553	FILTERING ELEMENT	1	
4	881-453	FILTER PLATE	1	
5	881-552	JOINT	1	
6	881-555	SET OF GASKET	1	
7	881-558	CYLINDER	1	
8	881-559	PISTON RINGS	1	
9	881-560	PISTON PIN	1	
10	881-463	RING	2	
11	881-561	CON ROD	1	
12	881-551	SCREW	4	
13	881-550	HEAD	1	
14	881-556	VALVE PLATE	2	
15	881-557	SET OF VALVE	1	
16	881-489	NUT	2	
17	881-567	PISTON	1	
18	881-569	PIPE PROTECTION	1	
19	881-568	HOUSING	1	
20		NAME PLATE	1	
21	881-492	SCREW	4	
22	881-469	DIPSTICK	1	
23	881-468	SEEGER	1	
24	881-566	STUD BOLT	2	
25	881-488	CAPACITOR	2	
26	881-487	CHOCK	1	
27	881-485	WASHER	1	
28	881-484	SCREW	1	
29	881-471	SCREW	1	
30	881-472	SCREW	3	
31	881-470	CARTER COVER	1	
32	881-473	GASKET	1	
33	881-562	CRANK SHAFT	1	
34	881-466	BALL BEARING	1	
35	881-474	SMIM RING	1	
36	881-475	CARTER	1	
37	881-563	ROTOR	1	
38	881-564	MOTOR CASING	1	
39	881-478	BALL BEARING	1	
40	881-486	COVER	1	
41	881-565	FAN	1	
42	881-480	TENSION ROD	2	
43	881-479	SCREW	4	
44	881-498	DISCHARGE TAP	2	
45	881-418	NUT	4	
46	881-573	WASHER	6	
47	881-571	SCREW	4	
48	881-572	WASHER	8	
49	881-583	RUBBER	4	
50	881-570	BASE	1	
51	881-582	RUBBER HANDLE	1	

*: ALTERNATIVE PARTS

