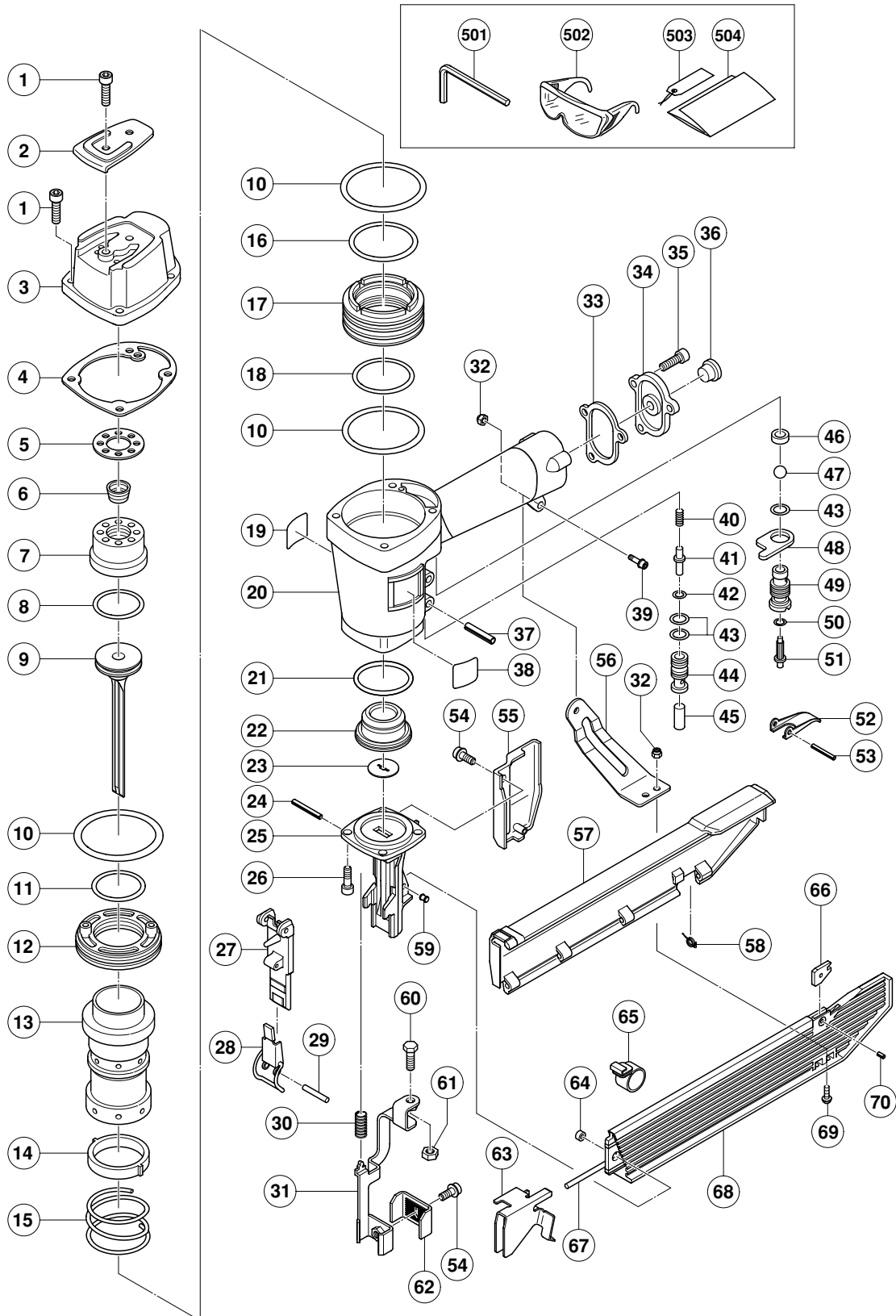


## PNEUMATIC TOOL PARTS LIST

**STAPLER**

2001 · 10 · 30

**Model N 5008AC****(E1)**

**PARTS**

N 5008AC

ITEM NO.	CODE NO.	DESCRIPTION	NO. USED	REMARKS
1	949-757	HEX. SOCKET HD. BOLT M5X20 (10 PCS.)	6	
2	876-179	TOP COVER	1	
3	877-917	EXHAUST COVER	1	
4	876-176	GASKET (B)	1	
5	876-178	GASKET (C)	1	
6	878-539	EXHAUST VALVE	1	
7	878-026	HEAD CAP	1	
8	876-174	PISTON O-RING	1	
9	883-716	PISTON	1	
10	876-161	O-RING (S-65)	3	
11	877-126	CYLINDER O-RING (D)	1	
12	876-168	CYLINDER PLATE	1	
13	882-407	CYLINDER	1	
14	876-167	CYLINDER RING	1	
15	876-172	CYLINDER SPRING	1	
16	877-123	CYLINDER O-RING (A)	1	
17	877-122	CYLINDER GUIDE	1	
18	877-124	CYLINDER O-RING (B)	1	
19	878-184	WARNING LABEL	1	
20	883-710	BODY	1	
21	877-125	CYLINDER O-RING (C)	1	
22	883-711	PISTON BUMPER	1	
23	883-712	BUMPER SHEET	1	
24	949-547	ROLL PIN D4X36 (10 PCS.)	1	
25	883-713	NOSE	1	
26	878-181	NYLOCK HEX. SOCKET HD. BOLT M5X16	4	
27	883-721	BLADE GUIDE	1	
28	883-722	LOCK LEVER	1	
29	949-685	ROLL PIN D3X20 (10 PCS.)	1	
30	877-873	SPRING (B)	1	
31	883-714	PUSHING LEVER	1	
32	877-371	NYLON NUT M5	3	
33	877-131	GASKET (D)	1	
34	880-036	CAP	1	
35	949-821	HEX. SOCKET HD. BOLT M5X16 (10 PCS.)	3	
36	872-035	DUST CAP	1	
37	949-866	ROLL PIN D3X30 (10 PCS.)	1	
38		NAME PLATE	1	
39	880-219	HEX. SOCKET HD. BOLT (W/FLANGE) M5X16	1	
40	875-643	PLUNGER SPRING	1	
41	878-542	PLUNGER (A)	1	
42	877-705	PLUNGER O-RING	1	
43	875-638	O-RING (S-12)	3	
44	877-880	VALVE BUSHING	1	
45	877-882	PLUNGER (B)	1	
46	878-734	VALVE PACKING	1	
47	875-645	URETHANE BALL (C) D7.14	1	
48	875-644	VALVE PLATE	1	
49	877-335	TRIGGER VALVE BUSHING	1	
50	874-820	PLUNGER O-RING	1	
51	878-121	TRIGGER PLUNGER	1	



