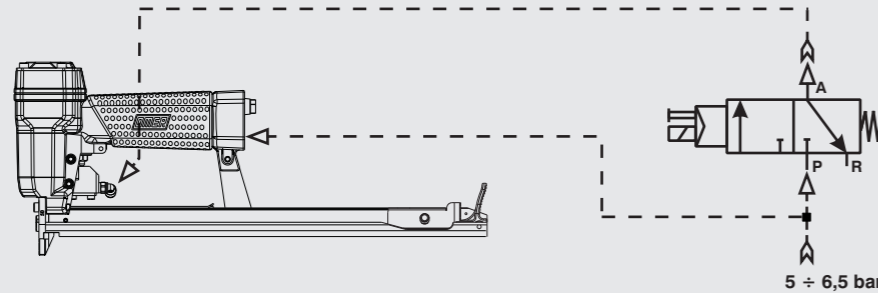


## Collegamento - Connection

Collegamento:  
Connection:

Valvola 3/2 NC  
Valve 3/2 NC



## Caricamento - Loading

1 - Arretrare lo spingipunto e agganciarlo al finecorsa

Pull the pusher backwards and lock it at the stop position at the rear of the tool



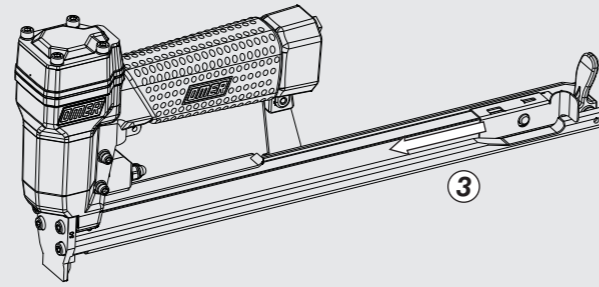
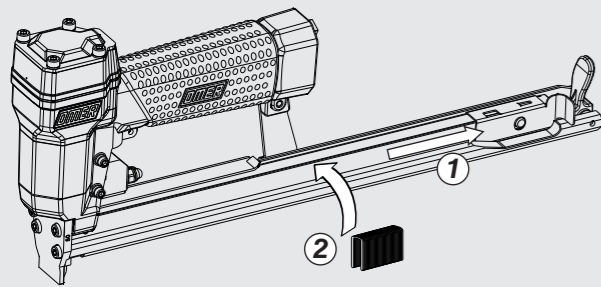
Non azionare MAI la valvola comando durante il caricamento o il disinceppamento della graffatrice.  
NEVER actuate the command valve while loading or cleaning a jammed stapler.

2 - Inserire le graffe

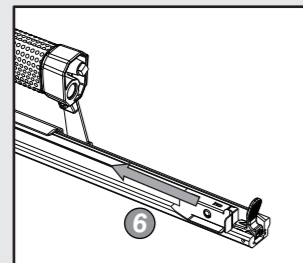
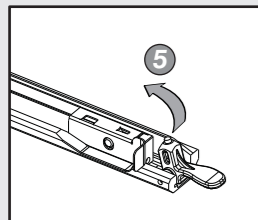
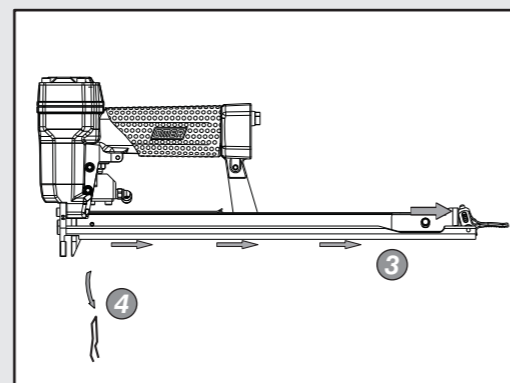
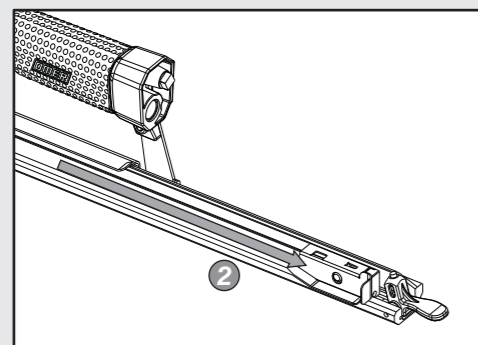
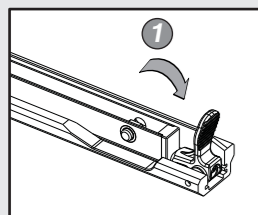
Load the magazine with Staple

3 - Rilasciare lo spingipunto

Release the the pusher



## Disinceppamento macchina - Quick clearance jammed nails



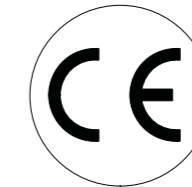
Manuale d'uso, manutenzione e parti di ricambio  
Use, maintenance and spare parts manual  
Gebrauchsanweisung, Instandhaltungsrichtlinien und Ersatzteile  
Manuel d'utilisation, entretien et pièces de rechange  
Manual de uso, mantenimiento y repuestos  
Εγχειρίδιο χρήσης, συντήρησης και ανταλλακτικών  
Manual de utilização, manutenção e partes sobresselentes  
Handleiding voor gebruik, onderhoud en reservedelslste  
Brugsanvisning, vedligeholdelse og reservedelslste

Parte 2  
Part 2  
Teil 2  
Partie 2  
Part 2  
2º Μερὸς  
Parte 2  
Deel 2  
Del 2



# 3G.16 CLT-10

cod. 11443520-10



11443520-10\_3G16CLT\_6 170712 IV

Dati tecnici Technical data Technische daten	Données techniques Datos tècnicos Τεχνικά χαρακτηριστικά	Dados tècnicos Technische gegevens Teknische data
--	--	---

Misure impiegabili mm Usable lengths mm Gebrauchliche Längen mm	Mesures utilisable mm Medidas que se pueden emplear mm Διαστάσεις σε μμ	Medidas que se podem utilizar mm Te gebruiken engtes in mm Brugbare laengder i mm	<b>4 ÷ 16</b>
---	---	---	---------------

Capacità caricatore n° punti Magazine capacity No. of fasteners Magazinkapazität Nägel	Capacité chargeur n° de points Capacidad cargador n° puntos Δυνατότητα γεμιστέρα, σπινδύτερος	Capacidade carregador n° pontos Capaciteit magazijn in aantal spijkers Kapacitet af magasin antal klemme	<b>340</b>
--	---	--	------------

Pressione d'esercizio Working pressure Betriebsdruck	Pression de fonctionnement Presión de trabajo Πίεση λειτουργίας ατμ.	Pressao de trabalho Werkdruk Arbejds tryk bar	<b>4 ÷ 6 bar 60 ÷ 90 psi</b>
--	--	---	----------------------------------

Consumo aria litri/colpo Air consumption litres/shot Luftverbrauch Liter/Schlag	Consommation air litre/coup Consumo aire-litros/golpe Καταναλοση αερα λ/ξτπημα	Consumo ar litro/golpe Luchtverbruik liter/schot Luftforbrug liter/skud	<b>0,13</b>
---	--	---	-------------

Peso kg Weight kg Gewicht kg	Poids kg Peso kg Βαρος κγ	Peso kg Gewicht in kg Vaegt kg	<b>1,78</b>
------------------------------------	---------------------------------	--------------------------------------	-------------

Dimensioni (AxBxH) mm Dimensions mm Größe mm	Dimension mm Dimensiones mm Δυνατότητα γεμιστέρα, σπινδύτερος	Dimencoes mm Afmetingen in mm Dimensioner mm	<b>362x43x162</b>
--	---	--	-------------------

EN 12549 :1999 ISO 11201 :1995 Pressione sonora in pos. operatore Sound pressure at the workstation Lärmintensität am Arbeitsplatz	Pression acoustique près de l'opérateur Presión sonora en posición encargado Ακουστική πίεση στη θέση χειριστού	Intensidade sonora perto do operador Geluidssterkte op de werkplek Lydstyrke på operatorposten	<b>84,3 dB(A)</b>
---	---	--	-------------------

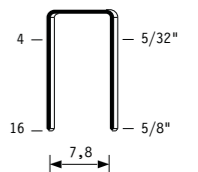
EN 12549 :1999 ISO 3744 :1994 Potenza sonora emessa Emitted sound power Ausgestrahlte Lärmintensität	Puissance acoustique émise Potencia sonora emitida Ακουστική ισχυ	Potência sonora emitida Uitgestraalde geluidssterkte Udsendt lydstryrke	<b>93,7 dB(A)</b>
---	---	---	-------------------

EN 28662 :1992 ISO 5349 :1986 ISO 8662 -11 Valore medio ponderato di vibrazione sull'impugnatura max.33 colpi Weighted mean value of vibration on the grip max.33 shots Mitteler Vibrationswert, am Griff gemessen max.33 Schäge	Valeur moyenne pondérée de vibration mesurée sur la poignée max.33 coups Valor medio ponderado de vibracion medida en la empunadura max.33 golph Μεσος ορος μετρησης κραδασμων στη χειρολαβη μαξ.33 ξτπημα	Valor medio ponderado de vibracao medida no punho max.33 golpes Gewogen gemiddelde vibratiewaarde max.33 schot Middelvaerdi af vibrationer pa handtaget max.33 skud	<b>&lt;2,5 m/s<sup>2</sup></b>
---	--	---	--------------------------------

Tipo di punto  
Type of fastener  
Befestigungselement  
Type d'agrafe  
Tipo de punto  
Τυπος καρφιου  
Tipo de ponto  
Type nietjes  
Tilspændingstype

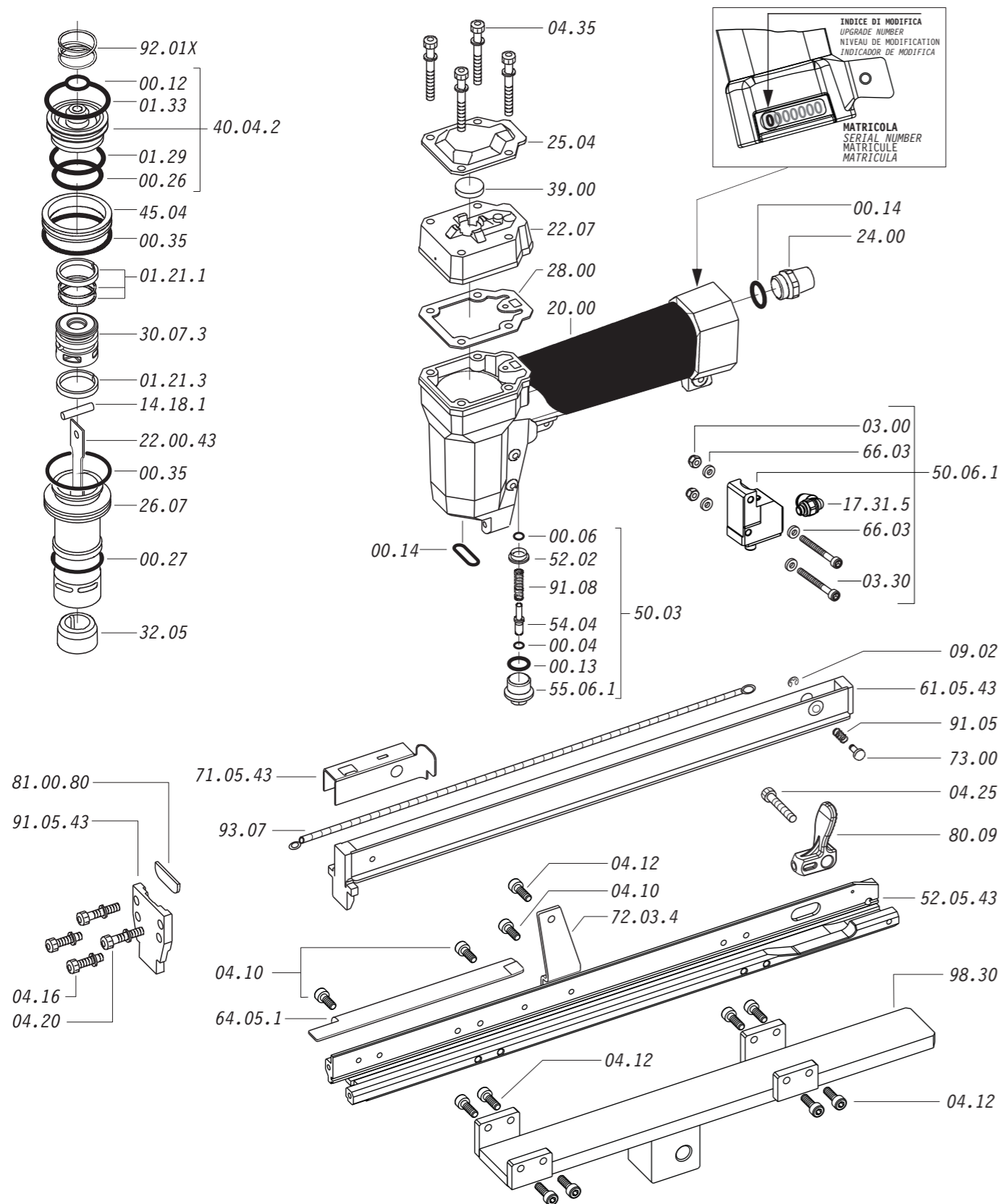
3G

0,55x0,75



Crown: .350" (3/8")  
Thickness: .022"  
Width: .030"  
Gauge: 23

Parti di ricambio - Spare parts - Ersatzteile - Pièces de rechange - Piezas de repuesto  
Ανταλλακτικά - Partes sobresselentes - Tabel te raadplegen - Reservedele



Dotazioni - Equipment - Ausrüstung - Équipements - Equipamiento - Παρεχόμενα  
Equipamento - Uitrusting - Udstyr



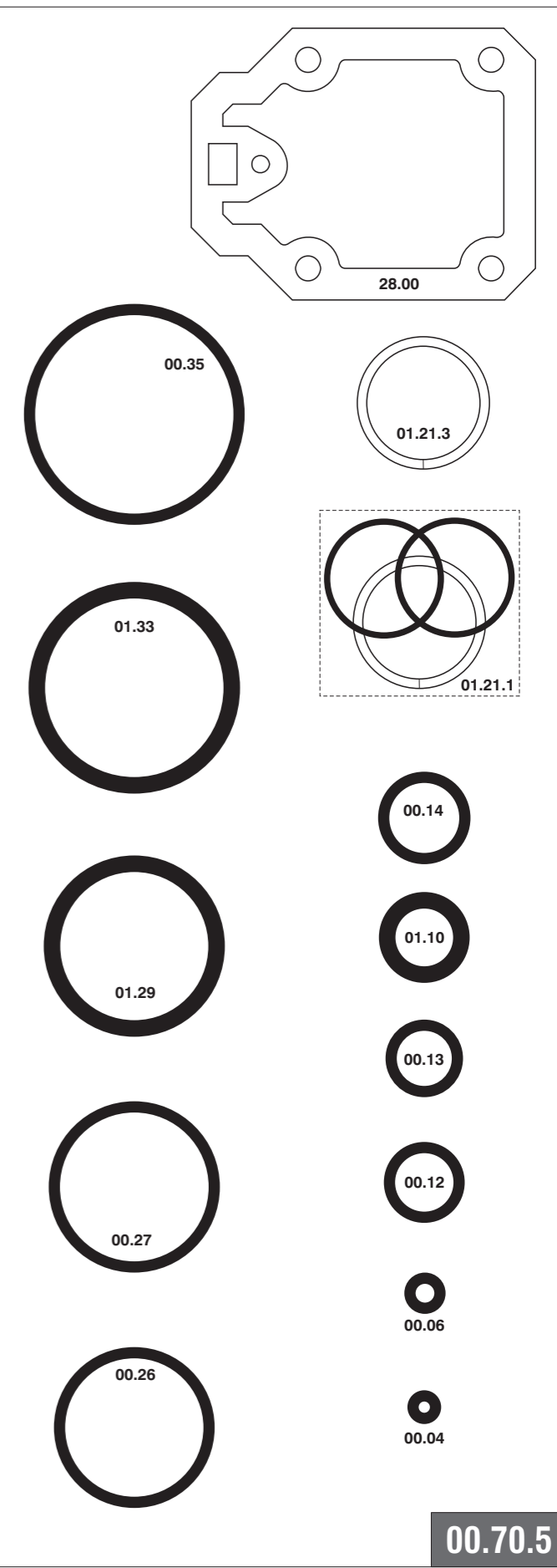
**3G.16 CLT-10**

cod. 11443520-10

Parti di ricambio - Spare parts - Ersatzteile - Pièces de rechange - Piezas de repuesto  
Ανταλλακτικά - Partes sobresselentes - Tabel te raadplegen - Reservedele

Cod.	Descrizione	Description
00.04	O-Ring	O-Ring
00.06	O-Ring	O-Ring
00.12	O-Ring	O-Ring
00.13	O-Ring	O-Ring
00.14	O-Ring	O-Ring
00.26	O-Ring	O-Ring
00.27	O-Ring	O-Ring
00.35	O-Ring	O-Ring
01.21.1	Guarnizione	Gasket
01.21.3	Guarnizione	Gasket
01.29	O-Ring	O-Ring
01.33	O-Ring	O-Ring
03.00	Dado	Nut
03.30	Vite	Screw
04.10	Vite	Screw
04.12	Vite	Screw
04.16	Vite	Screw
04.20	Vite	Screw
04.25	Vite	Screw
04.35	Vite	Screw
07.30	Chiave esagonale	Hex. bar wrench
09.02	Anello elastico	Elastic ring
14.18.1	Spina	Pin
17.31.5	Racc. "L" 4 - M5	Conn. "Elbow" 4 - M5
20.00	Corpo	Body
22.07	Testa	Head
24.00	Silenziatore	Silencer
25.04	Deflettore	Exhaust deflector
26.07	Cilindro	Cylinder
28.00	Guarnizione	Gasket
30.07.3	Pistone	Piston
32.05	Ammortizzatore	Bumper
39.00	Guarnizione scarico	Exhaust gasket
40.04.2	Valvola completa	Valve ass'y
45.04	Anello valvola	Ring
50.03	Pulsante Completo	Trigger Valve ass'y
50.06.1	Comando a distanza	Remote control ass'y
52.02	Boccola	Bush
54.04	Pulsante	Trigger Valve
55.06.1	Raccordo	Bush
64.05.1	Carter	Hold down
66.03	Rondella	Washer
72.03.4	Reggicaricatore	Support
73.00	Perno	Pin
80.09	Grilletto chiusura	Trigger
91.05	Molla	Spring
92.01X	Molla	Spring
93.07	Molla	Spring
98.30	Supporto	Support
22.00.43	Battente	Driver
52.05.43	Caricatore	Magazine
61.05.43	Carrello	Slider
71.05.43	Spingipunto	Pusher
81.00.80	Controtestina	Nose
91.05.43	Testina	Nose plate
D01	Bocchetta olio	Oiler

Guarnizioni - O-Rings - Dichtungen - Joints - Kit O-Rings - Ασπυγκάκια - Kit O-Rings - O-ringen - Pakninger



**00.70.5**

11443520-10\_3G16CLT\_6\_170712\_IV

**3G.16 CLT-10**

cod. 11443520-10

Indice di modifica  
Upgrade number

**6**

6304996