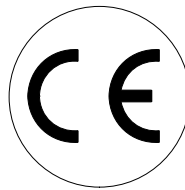


| | |
|---|-----------------|
| Manuale d'uso, manutenzione e parti di ricambio | Parte 2 |
| Use, maintenance and spare parts manual | Part 2 |
| Gebrauchsanweisung, Instandhaltungsrichtlinien und Ersatzteile | Teil 2 |
| Manuel d'utilisation, entretien et pièces de rechange | Partie 2 |
| Manual de uso, mantenimiento y repuestos | Part 2 |
| Εγχειρίδιο χρήσης, συντηρησης και ανταλλακτικών | 2° Μερὸς |
| Manual de utilização, manutenção e partes sobresselentes | Parte 2 |
| Handleiding voor gebruik, onderhoud en reservedelslste | Deel 2 |
| Brugsanvisning, vedligeholdelse og reservedelslste | Del 2 |

4097.25

cod. 1203000



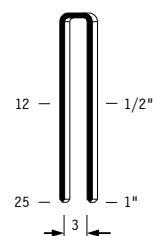
1203000_409725_0 091298

| Dati tecnici Technical data Technische daten | Données techniques Datos tècnicos Τεχνικά χαρακτηριστικά | Dados tècnicos Technische gegevens Tekniske data |
|---|--|--|
| Misure impiegabili mm Usable lengths mm Gebrauchliche Längen mm | Mesures utilisable mm Medidas que se pueden emplear mm Διαστάσεις σε μμ | Medidas que se podem utilizar mm Te gebruiken engtes in mm Brugbare laengder i mm |
| Capacità caricatore n° punti Magazine capacity No. of fasteners Magazinkapazität Nägel | Capacité chargeur n° de points Capacidad cargador n° puntos Δυνατότητα γεμιστέρα, σπινδελτερες | Capacidade carregador n° pontos Capaciteit magazijn in aantal spijkers Kapacitet af magasin antal klemme |
| Pressione d'esercizio Working pressure Betriebsdruck | Pression de fonctionnement Presión de trabajo Πίεση λειτουργιασ ατμ. | Pressao de trabalho Werkdruk Arbejds tryk bar |
| Consumo aria litri/colpo Air consumption litres/shot Luftverbrauch Liter/Schlag | Consommation air litre/coup Consumo aire-litros/golpe Καταναλοση αερα λ/ξτπημα | Consumo ar litro/golpe Luchtverbruik liter/schot Luftforbrug liter/skud |
| Peso kg Weight kg Gewicht kg | Poids kg Peso kg Βαρος κγ | Peso kg Gewicht in kg Vaegt kg |
| Dimensioni (AxBxH) mm Dimensions mm Größe mm | Dimension mm Dimensiones mm Δυνατότητα γεμιστέρα, σπινδελτερες | Dimencoes mm Afmetingen in mm Dimensioner mm |
| ISO 11201 Pressione sonora in pos. operatore Sound pressure at the workstation Lärmintensität am Arbeitsplatz | ISO 11201 Pression acoustique près de l'opérateur Presión sonora en posición encargado Ακουστικη πιεση στη θεση χειριστου | ISO 11201 Intensidade sonora perto do operador Geluidssterkte op de werkplek Lydstyrke på operatorposten |
| ISO 3744 Potenza sonora emessa Emitted sound power Ausgestrahlte Lärmintensität | ISO 3744 Puissance acoustique émise Potencia sonora emitida Ακουστικη ισχυ | ISO 3744 Potência sonora emitida Uitgestraalde geluidssterkte Udsendt lydstryrke |
| ISO 5349-86 Valore medio ponderato di vibrazione sull'impugnatura max.33 colpi Weighted mean value of vibration on the grip max.33 shots Mittler Vibrationswert, am Griff gemessen max.33 Schläge | ISO 5349-86 Valeur moyenne pondérée de vibration mesurée sur la poignée max.33 coups Valor medio ponderado de vibracion medida en la empuñadura max.33 golpe Μεσος ορος μετρησης κραδασιμων στη χειρολαβη μαξ.33 ξτπημα | ISO 5349-86 Valor medio ponderado de vibracao medida no punho max.33 golpes Gewogen gemiddelde vibratiewaarde max.33 schot Middelvaerdi af vibrationer pa handtaget max.33 skud |

Tipo di punto
Type of fastener
Befestigungselement
Type d'agrafe
Tipo de punto
Τυπος καρφιου
Tipo de ponto
Type nietjes
Tilspændingstype

4097

0,65x0,95

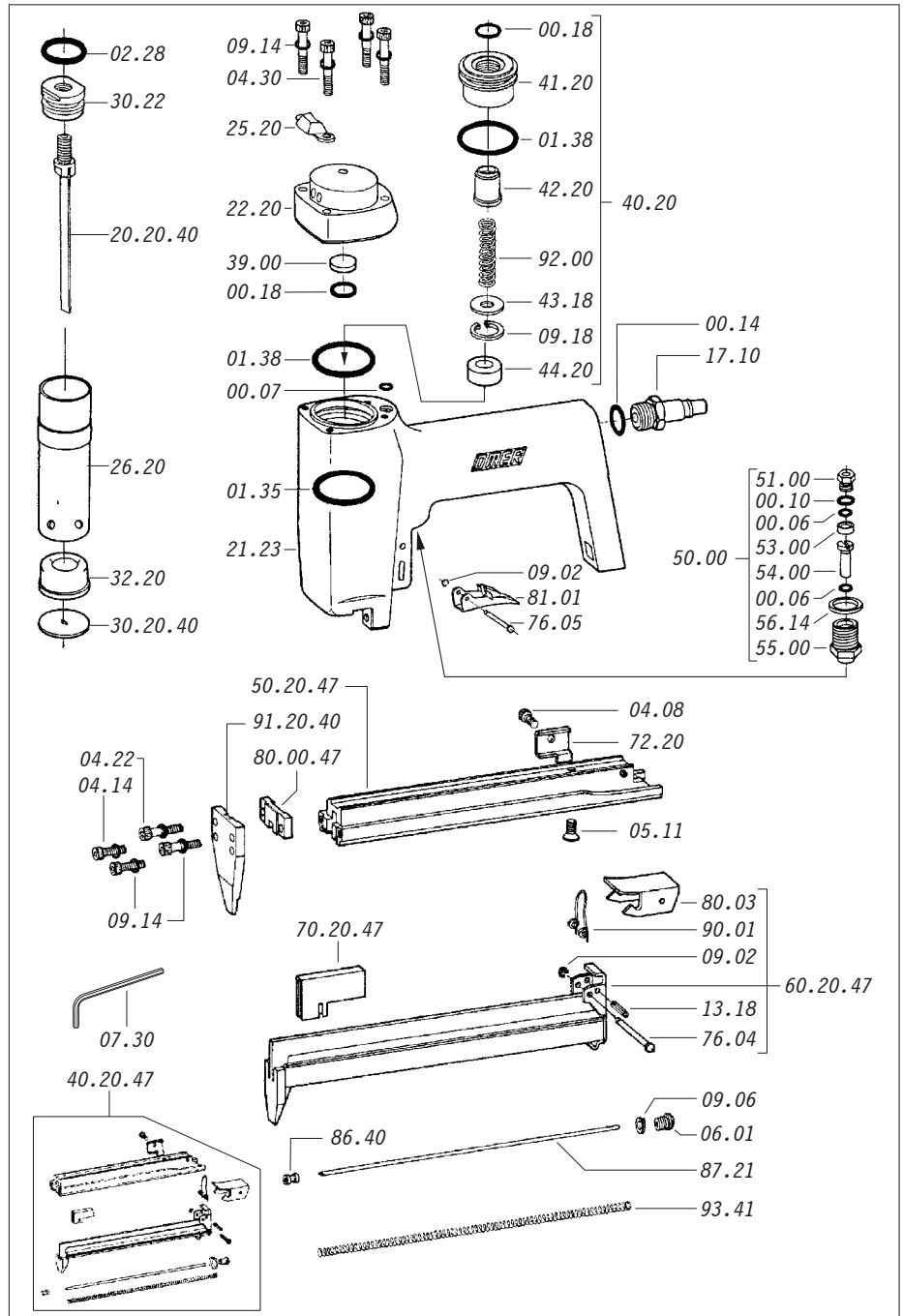


Crown: 11/64"
Thickness: 0.025"
Width: 0.037"
Gauge: 21

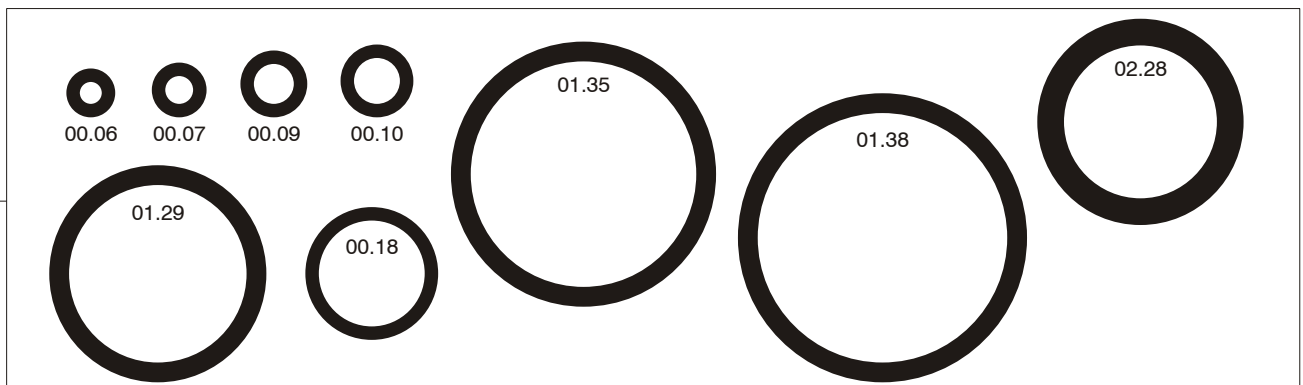
Parti di ricambio - Spare parts - Ersatzteile - Pièces de rechange - Piezas de repuesto

Ανταλλακτικά - Partes sobresselentes - Tabel te raadplegen - Reservedele

| Cod. | Descrizione | Description |
|----------|-------------------------------|------------------------------|
| 00.06 | O-Ring | O-Ring |
| 00.07 | O-Ring | O-Ring |
| 00.10 | O-Ring | O-Ring |
| 00.14 | O-Ring | O-Ring |
| 00.18 | O-Ring | O-Ring |
| 01.35 | O-Ring | O-Ring |
| 01.38 | O-Ring | O-Ring |
| 02.28 | O-Ring | O-Ring |
| 04.08 | Vite | Screw |
| 04.14 | Vite | Screw |
| 04.22 | Vite | Screw |
| 04.30 | Vite | Screw |
| 05.11 | Vite | Screw |
| 06.01 | Vite | Screw |
| 07.30 | Chiave esagonale | Hex. Bar wrench |
| 09.02 | Anello elastico | Elastic ring |
| 09.06 | Rondella | Washer |
| 09.14 | Rondella | Washer |
| 09.18 | Anello elastico | Elastic ring |
| 13.18 | Spina elastica | Elastic pin |
| 17.10 | Attacco rapido 1/4" | Air plug 1/4" |
| 21.23 | Corpo (specificare il colore) | Body (to specify the colour) |
| 22.20 | Testa (specificare il colore) | Head (to specify the colour) |
| 25.20 | Deflettore | Exhaust deflector |
| 26.20 | Cilindro | Cylinder |
| 30.22 | Pistone | Piston |
| 32.20 | Ammortizzatore | Bumper |
| 39.00 | Guarnizione | Gasket |
| 40.20 | Valvola completa | Valve ass'y |
| 41.20 | Pistone valvola | Valve |
| 42.20 | Gambo valvola | Valve cylinder |
| 43.18 | Rondella | Washer |
| 44.20 | Guarnizione | Gasket |
| 50.00 | Pulsante completo | Trigger valve ass'y |
| 51.00 | Premistoppa | Stuffing box |
| 53.00 | Distanziale | Spacer |
| 54.00 | Pulsante | Trigger valve |
| 55.00 | Raccordo | Bush |
| 56.14 | Guarnizione | Gasket |
| 72.20 | Fermo carrello | Magazine stop |
| 76.04 | Perno | Pin |
| 76.05 | Perno | Pin |
| 80.03 | Grilletto chiusura | Trigger |
| 81.01 | Grilletto comando | Trigger |
| 86.40 | Guida | Guide |
| 87.21 | Perno | Pin |
| 90.01 | Molla | Spring |
| 92.00 | Molla | Spring |
| 93.41 | Molla | Spring |
| 20.20.40 | Battente | Driver |
| 30.20.40 | Guida battente | Drive guide |
| 40.20.47 | Caricatore completo | Magazine ass'y |
| 50.20.47 | Caricatore | Magazine |
| 60.20.47 | Carrello | Slider |
| 70.20.47 | Spingipunto | Pusher |
| 80.00.47 | Controtestina | Nose |
| 91.20.40 | Testina | Nose plate |



Guarnizioni - O-Rings - Dichtungen - Joints - Empaquetadura de anillo - Λαστιχακια - Kit de o-rings - O-ringen - Pakninger



4097.25

cod. 1203000

Indice di modifica
Upgrade number

0