



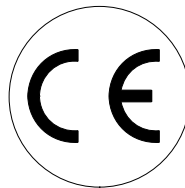
| | |
|-----------------------------------------------------------------------|-----------------|
| Manuale d'uso, manutenzione e parti di ricambio | Parte 2 |
| Use, maintenance and spare parts manual | Part 2 |
| Gebrauchsanweisung, Instandhaltungsrichtlinien und Ersatzteile | Teil 2 |
| Manuel d'utilisation, entretien et pièces de rechange | Partie 2 |
| Manual de uso, mantenimiento y repuestos | Part 2 |
| Manual de utilização, manutenção e partes sobresselentes | Parte 2 |
| Handleiding voor gebruik, onderhoud en reservedelslste | Deel 2 |
| Brugsanvisning, vedligeholdelse og reservedelslste | Del 2 |

62.16 V

cod. 1155280



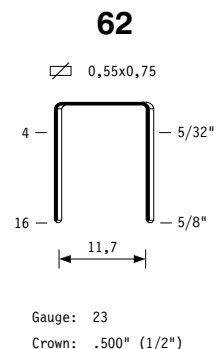
1155280_6216V_6 100510 IV



| Dati tecnici Technical data Technische daten | Données techniques Datos tècnics | Dados tècnics Technischegegevens Tehniske data | |
|-----------------------------------------------------------------------------------------------------------------------------------------------------------------------------------------------------------|--------------------------------------------------------------------------------------------------------------------------------------------------------|---------------------------------------------------------------------------------------------------------------------------------------------------------------------------------|----------------------------------------|
| Misure impiegabili mm Usable lengths mm Gebrauchliche Längen mm | Mesures utilisable mm Medidas que se pueden emplear mm | Medidas que se podem utilizar mm Te gebruiken engtes in mm Brugbare laengder i mm | 4 ÷ 16 |
| Capacità caricatore n° punti Magazine capacity No. of fasteners Magazinkapazität Nägel | Capacité chargeur n° de points Capacidad cargador n° puntos | Capacidade carregador n° pontos Capaciteit magazijn in aantal spijkers Kapacitet af magasin antal klemme | 185 |
| Pressione d'esercizio Working pressure Betriebsdruck | Pression de fonctionnement Presión de trabajo | Pressao de trabalho Werkdruk Arbejds tryk bar | 4 ÷ 6 bar 60 ÷ 90 psi |
| Consumo aria litri/colpo Air consumption litres/shot Luftverbrauch Liter/Schlag | Consommation air litre/coup Consumo aire-litros/golpe | Consumo ar litro/golpe Luchtverbruik liter/schot Luftforbrug liter/skud | 0,13 |
| Peso kg Weight kg Gewicht kg | Poids kg Peso kg | Peso kg Gewicht in kg Vaegt kg | 0,95 |
| Dimensioni (AxBxH) mm Dimensions mm Größe mm | Dimension mm Dimensiones mm | Dimencoes mm Afmetingen in mm Dimensioner mm | 216x43x148 |
| EN 12549 :1999 ISO 11201 :1995 | | | |
| Pressione sonora in pos. operatore Sound pressure at the workstation Lärmintensität am Arbeitsplatz | Pression acoustique près de l'opérateur Presión sonora en posición encargado | Intensidade sonora perto do operador Geluidssterkte op de werkplek Lydstyrke på operatorposten | 80,8 dB(A) |
| EN 12549 :1999 ISO 3744 :1994 | | | |
| Potenza sonora emessa Emitted sound power Ausgestrahlte Lärmintensität | Puissance acoustique émise Potencia sonora emitida | Potência sonora emitida Uitgestraalde geluidssterkte Udsendt lydstryrke | 85,7 dB(A) |
| EN 28662 :1992 ISO 5349 :1986 ISO 8662 -11 | | | |
| Valore medio ponderato di vibrazione sull'impugnatura max.1000 colpi Weighted mean value of vibration on the grip max.1000 shots Mittlerer Vibrationswert, am Griff gemessen max.1000 Schäge | Valeur moyenne pondérée de vibration mesurée sur la poignée max.1000 coups Valor medio ponderado de vibracion medida en la empuñadura max.1000 golp | Valor medio ponderado de vibracao medida no punho max.1000 golpes Gewogen gemiddelde vibratiewaarde max.1000 schot Middelvaerdi af vibrationer pa handtaget max.1000 skud | 7,9 m/s² |

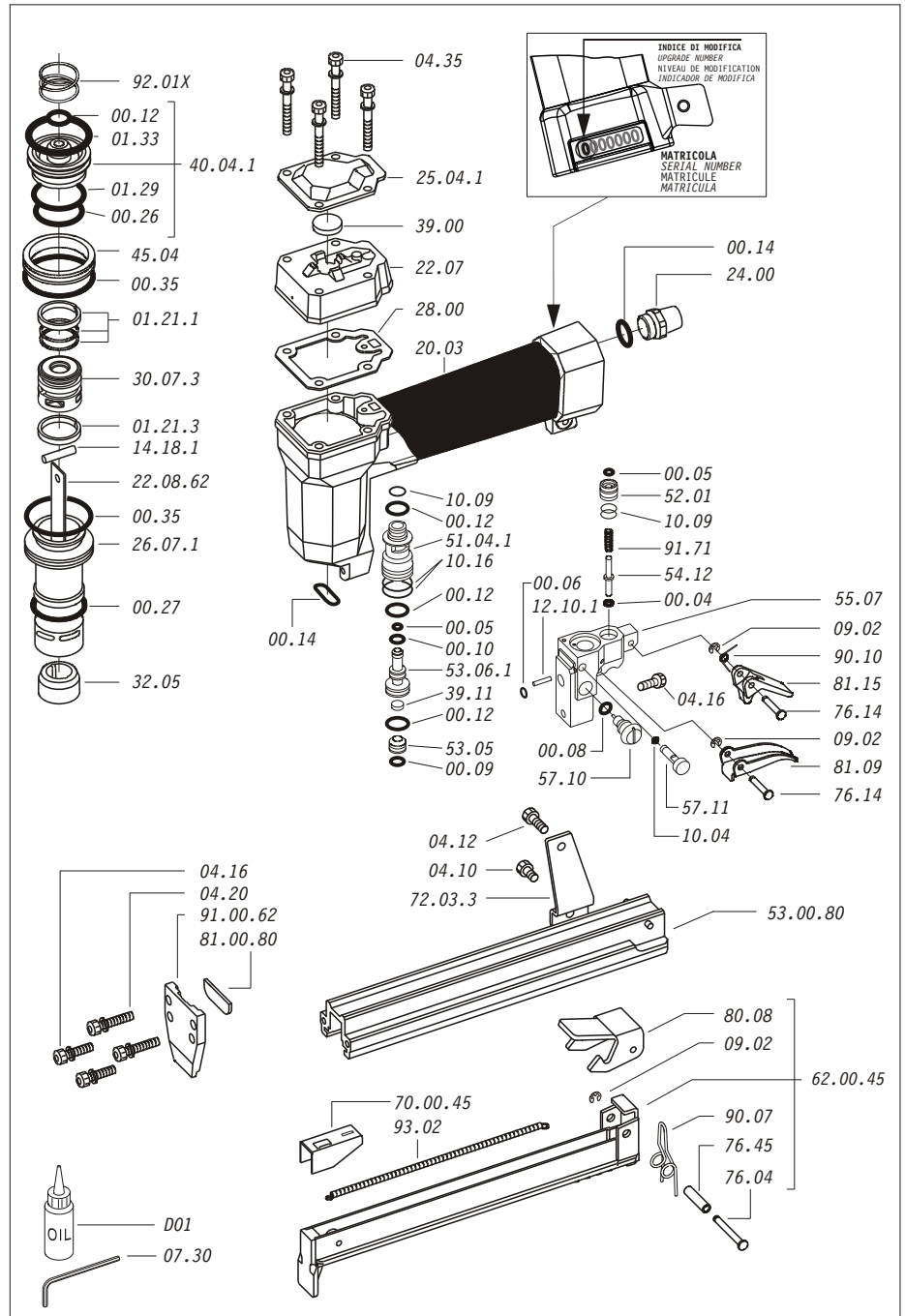
Tipo di punto
Type of fastener
Befestigungselement
Type d'agrafe
Tipo de punto

Tipo de ponto
Type nietjes
Tilspændingstype



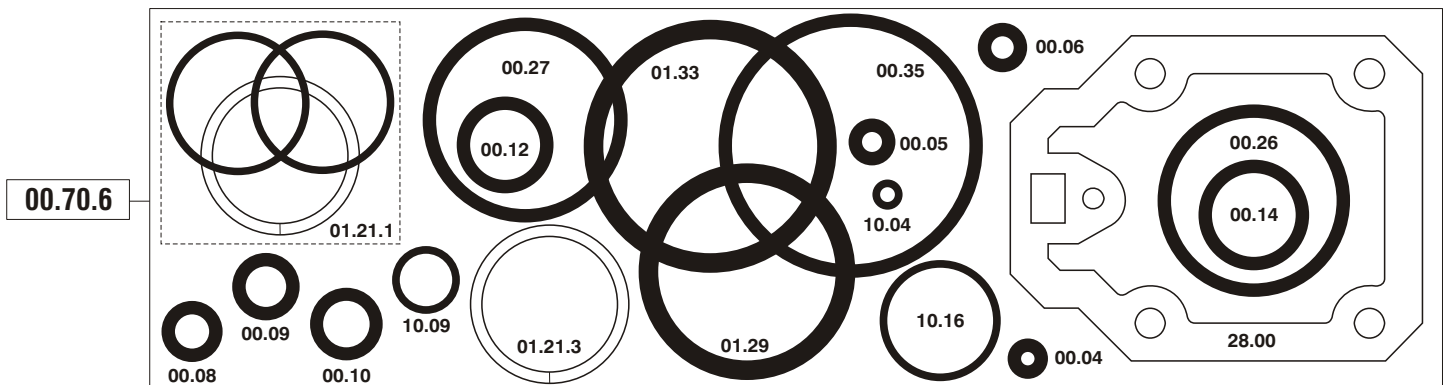
Parti di ricambio - Spare parts - Ersatzteile - Pièces de rechange - Piezas de repuesto
 - Partes sobresselentes - Tabel te raadplegen - Reservedede

| Cod. | Descrizione | Description |
|----------|----------------------|-------------------|
| 00.04 | O-Ring | O-Ring |
| 00.05 | O-Ring | O-Ring |
| 00.06 | O-Ring | O-Ring |
| 00.08 | O-Ring | O-Ring |
| 00.09 | O-Ring | O-Ring |
| 00.10 | O-Ring | O-Ring |
| 00.12 | O-Ring | O-Ring |
| 00.14 | O-Ring | O-Ring |
| 00.26 | O-Ring | O-Ring |
| 00.27 | O-Ring | O-Ring |
| 00.35 | O-Ring | O-Ring |
| 01.21.1 | Guarnizione | Gasket |
| 01.21.3 | Guarnizione | Gasket |
| 01.29 | O-Ring | O-Ring |
| 01.33 | O-Ring | O-Ring |
| 04.10 | Vite | Screw |
| 04.12 | Vite | Screw |
| 04.16 | Vite | Screw |
| 04.20 | Vite | Screw |
| 04.35 | Vite | Screw |
| 07.30 | Chiave esagonale | Hex. bar wrench |
| 09.02 | Anello elastico | Elastic ring |
| 10.04 | O-Ring | O-Ring |
| 10.09 | O-Ring | O-Ring |
| 10.16 | O-Ring | O-Ring |
| 12.10.1 | Spina | Pin |
| 14.18.1 | Spina | Pin |
| 20.03 | Corpo | Body |
| 22.07 | Testa | Head |
| 24.00 | Silenziatore | Silencer |
| 25.04.1 | Deflettore | Exhaust deflector |
| 26.07.1 | Cilindro | Cylinder |
| 28.00 | Guarnizione | Gasket |
| 30.07.3 | Pistone | Piston |
| 32.05 | Ammortizzatore | Bumper |
| 39.00 | Guarnizione scarico | Exhaust gasket |
| 39.11 | Guarnizione servov. | Valve gasket |
| 40.04.1 | Valvola completa | Valve ass'y |
| 45.04 | Anello valvola | Ring |
| 51.04.1 | Cilindro servovalv. | Valve cylinder |
| 52.01 | Boccola pulsante | Tiger valve bush |
| 53.05 | Pistoncino | Piston |
| 53.06.1 | Pistone servovalvola | Valve piston |
| 54.12 | Pulsante | Trigger valve |
| 55.07 | Corpo servovalvola | Valve body |
| 57.10 | Regolatore | Regulator |
| 57.11 | Interruttore | Switch |
| 72.03.3 | Reggicaricatore | Support |
| 76.04 | Perno | Pin |
| 76.14 | Perno | Pin |
| 76.45 | Perno molla | Pin |
| 80.08 | Grilletto chiusura | Trigger |
| 81.09 | Grilletto comando | Trigger |
| 81.15 | Controgrilletto | Trigger |
| 90.07 | Molla | Spring |
| 90.10 | Molla | Spring |
| 91.71 | Molla | Spring |
| 92.01X | Molla | Spring |
| 93.02 | Molla | Spring |
| 22.08.62 | Battente | Driver |
| 53.00.80 | Caricatore | Magazine |
| 62.00.45 | Carrello | Slider |
| 70.00.45 | Spingipunto | Pusher |
| 81.00.80 | Controtestina | Nose |
| 91.00.62 | Testina | Nose plate |
| D01 | Bocchetta olio | Oiler |



Guarnizioni - O-Rings - Dichtungen - Joints - Kit O-Rings -

- Kit O-Rings - O-ringen - Pakninger



62.16 V

cod. 1155280

Indice di modifica
Upgrade number

6

6220816