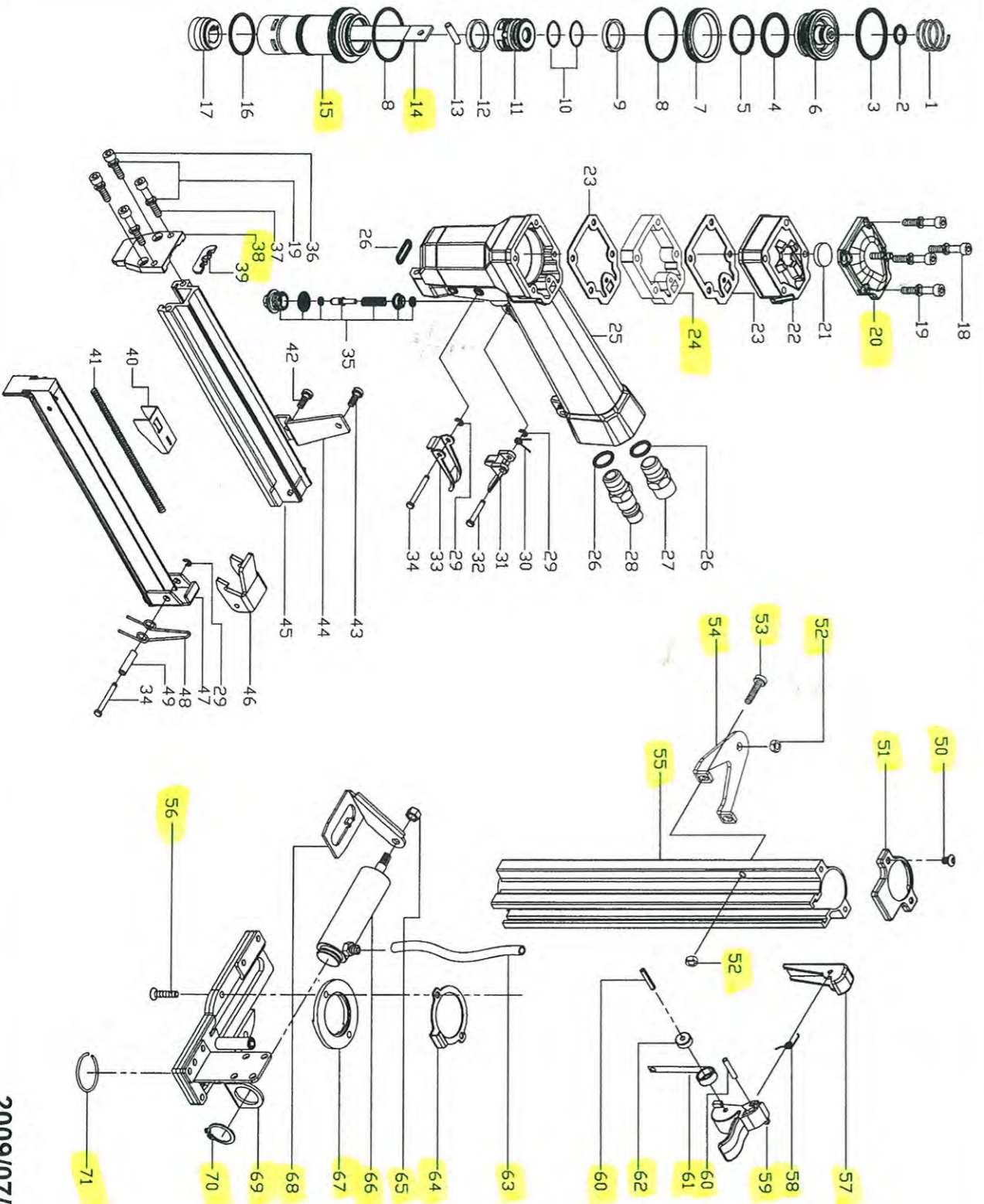


8016PC



ITEM NO.	PART NO.	DESCRIPTION	UNIT PRICE (USD)
1	92.01X	SPRING	0,26
2	00.12	O-RING	0,08
3	01.33	O-RING	0,18
4	01.29	O-RING	0,18
5	00.26	O-RING	0,13
6	19910024	VALVE ASSY.	2,67
7	45.04	RING	1,02
8	00.35	O-RING	0,20
9	01.21.1	GASKET	0,58
10	19913089	O-RING	0,04
11	30.07.3	PISTON	0,62
12	01.21.3	GASKET	0,58
13	14.18.1	ROLLER PIN	0,10
14	10110002 ✓	DRIVER	8,00
15	26.07 ✓	CYLINDER	3,33
16	00.27	O-RING	0,13
17	32.05	BUMPER	0,51
18	04.35	HEX.SOC.HD.BOLT	0,13
19	09.14	SPRING WASHER	0,03
20	2061603B ✓	EXHAUST COVER	2,22
21	39.00	EXHAUST GASKET	0,22
22	22.07	HEAD	2,67
23	28.00	GASKET	0,44
24	2061604B ✓	ALUMINUM LUMP	12,44
25	2130603D	BODY	9,33
26	00.14	O-RING	0,08
27	24.00	SILENCER	1,56
28	17.10	AIR PLUG 1/4"	0,51
29	09.02	ELASTIC RING	0,03
30	90.10	SPRING	0,16
31	81.15	SAFETY	0,31
32	76.14	STEPPED PIN	0,16
33	81.09	TRIGGER	0,44
34	76.04	STEPPED PIN	0,16
35	50.03	TRIGGER VALVE ASSEMBLY	3,11
36	04.16	HEX.SOC.HD.BOLT	0,08
37	04.20	HEX.SOC.HD.BOLT	0,08
38	2082202G ✓	NOSE PLATE	8,00
39	81.00.80	NOSE	0,26
40	70.00.80	PUSHER	0,62
41	93.02	SPRING	0,36
42	04.08	HEX.SOC.HD.BOLT	0,08
43	04.12	HEX.SOC.HD.BOLT	0,08

ITEM NO.	PART NO.	DESCRIPTION	UNIT PRICE (USD)
44	72.03.3	SUPPORT	0,76
45	53.00.80	MAGAZINE COVER	6,22
46	80,08	END CORE	0,51
47	2041103K	MAGAZINE	8,00
48	90,07	SPRING	0,26
49	76,45	ROLLER PIN	0,16
50	88004 ✓	HEX.SOC.BUT.HD.SCREW	0,09
51	PCM3261 ✓	TUBE CAP COVER	1,33
52	19919006 ✓	LOCK NUT	0,16
53	19914041 ✓	HEX.SOC.HD.BOLT	0,16
54	2041104G ✓ (OLD: 2210101G)	SPRING PLATE	4,44
55	PCM3263 ✓	ALUMINUM TUBE	12,44
56	91011 ✓	HEX.SOC.HD.BOLT	0,16
57	PCM3272 ✓	LATCH	1,33
58	PCM3273 ✓	SPRING	0,22
59	PCM3274 ✓	LATCH	1,33
60	PCM3275 ✓	ROLLER PIN	0,13
61	PCM3276 ✓	ROLLER RING	0,89
62	PCM3277 ✓	ROLLER	0,44
63	78010 ✓	HOSE	0,58
64	PCM3279 ✓	WASHER	0,89
65	92002-01 ✓	LOCK NUT	0,16
66	58410 ✓	CAP CYLINDER	14,89
67	58250 ✓	WASHER	4,44
68	58400 ✓	CAP PUSHER	3,11
69	58420 ✓	CAP SEAT	26,67
70	86007 ✓	C-RING	0,22
71	58420-1 ✓	C-RING	0,27 -