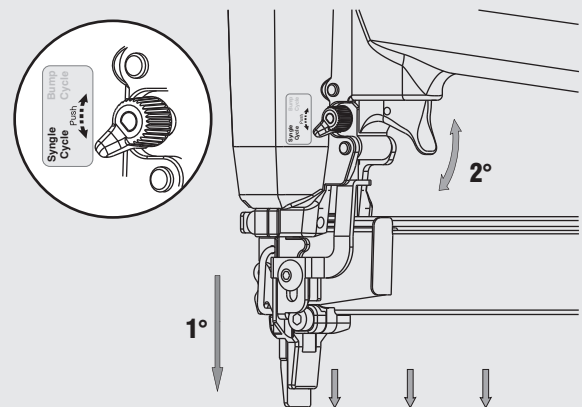
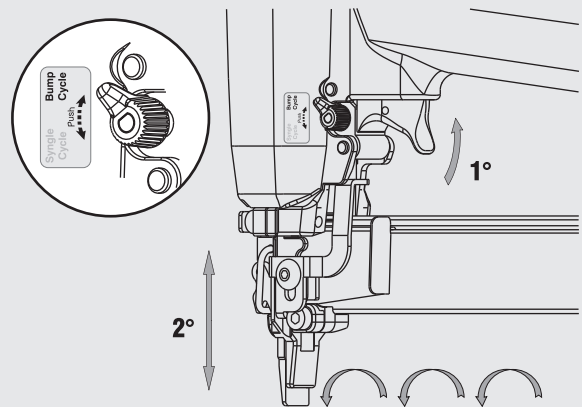


Caratteristiche - Features

Colpo singolo Sequential fire

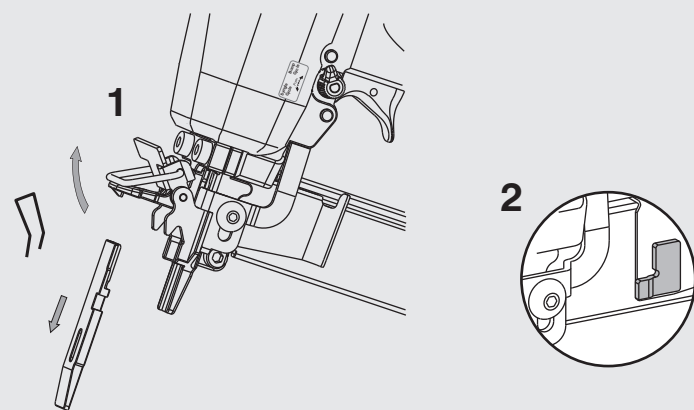


Colpo martello Bump fire



1 - Disinceppamento macchina Quick clearance jammed nails

2 - Blocco sparo a caricatore scarico Stop firing device to signal empty magazine



OMER

Manuale d'uso, manutenzione e parti di ricambio

Parte 2

Use, maintenance and spare parts manual

Part 2

Gebrauchsanweisung, Instandhaltungsrichtlinien und Ersatzteile

Teil 2

Manuel d'utilisation, entretien et pièces de rechange

Partie 2

Manual de uso, mantenimiento y repuestos

Part 2

Manual de utilização, manutenção e partes sobresselentes

Parte 2

Handleiding voor gebruik, onderhoud en reservedeliste

Deel 2

Brugsanvisning, vedligeholdelse og reservedelsliste

Del 2



90.32

cod. 1417000

1417000_9032_1 260505 DVM

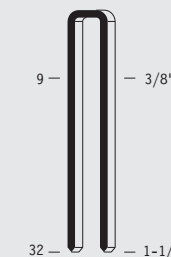


| Dati tecnici Technical data Technische daten | Données techniques Datos técnicos | Dados técnicos Technischegegevens Teknische data |
|---|---|--|
| Misure impiegabili mm Usable lengths mm Gebrauchliche Längen mm | Mesures utilisables mm Te gebruiken engtes in mm Medidas que se pueden emplear mm | Medidas que se podem utilizar mm Te gebruiken engtes in mm Brugbare laengder i mm |
| Capacità caricatore n° punti Magazine capacity No. of fasteners Magazinkapazität Nägel | Capacité chargeur n° de points Capacidad cargador n° puntos | Capacidade carregador n° pontos Capaciteit magazijn in aantal spijkers Kapacitet af magasin antal klemme |
| Pressione d'esercizio Working pressure Betriebsdruck | Pression de fonctionnement Presión de trabajo | Pressao de trabalho Werkdruk Arbejds tryk bar |
| Consumo aria litri/colpo Air consumption litres/shot Luftverbrauch Liter/Schlag | Consommation air litre/coup Consumo aire-litros/golpe | Consumo ar litro/golpe Luchtverbruik liter/schot Luftforbrug liter/skud |
| Peso kg Weight kg Gewicht kg | Poids kg Peso kg | Peso kg Gewicht in kg Vægt kg |
| Dimensioni (AxBxH) mm Dimensions mm Größe mm | Dimension mm Dimensiones mm | Dimencoes mm Afmetingen in mm Dimensioner mm |
| ISO 11201 Pressione sonora in pos. operatore Sound pressure at the workstation Lärmintensität am Arbeitsplatz | ISO 11201 Pression acoustique près de l'opérateur Presión sonora en posición encargado | ISO 11201 Intensidade sonora perto do operador Geluidssterkte op de werkplek Lydstyrke på operatorposten |
| ISO 3744 Potenza sonora emessa Emitted sound power Ausgestrahlte Lärmintensität | ISO 3744 Puissance acoustique émise Potencia sonora emitida | ISO 3744 Potência sonora emitida Uitgestraalde geluidssterkte Udsendt lydstryke |
| ISO 5349-86 Valore medio ponderato di vibrazione sull'impugnatura max.33 colpi Weighted mean value of vibration on the grip max.33 shots Mittler Vibrationswert, am Griff gemessen max.33 Schläge | ISO 5349-86 Valeur moyenne pondérée de vibration mesurée sur la poignée max.33 coups Valor medio ponderado de vibracion medida en la empuñadura max.33 golp | ISO 5349-86 Valor medio ponderado de vibracao medida no punho max.33 golpes Gewogen gemiddelde vibratiewaarde max.33 schot Middelvaerdi af vibrationer pa handtaget max.33 skud |

Tipo di punto
Type of fastener
Befestigungselement
Type d'agrafe
Tipo de punto
Tipo de ponto
Type nietjes
Tilspændingstype

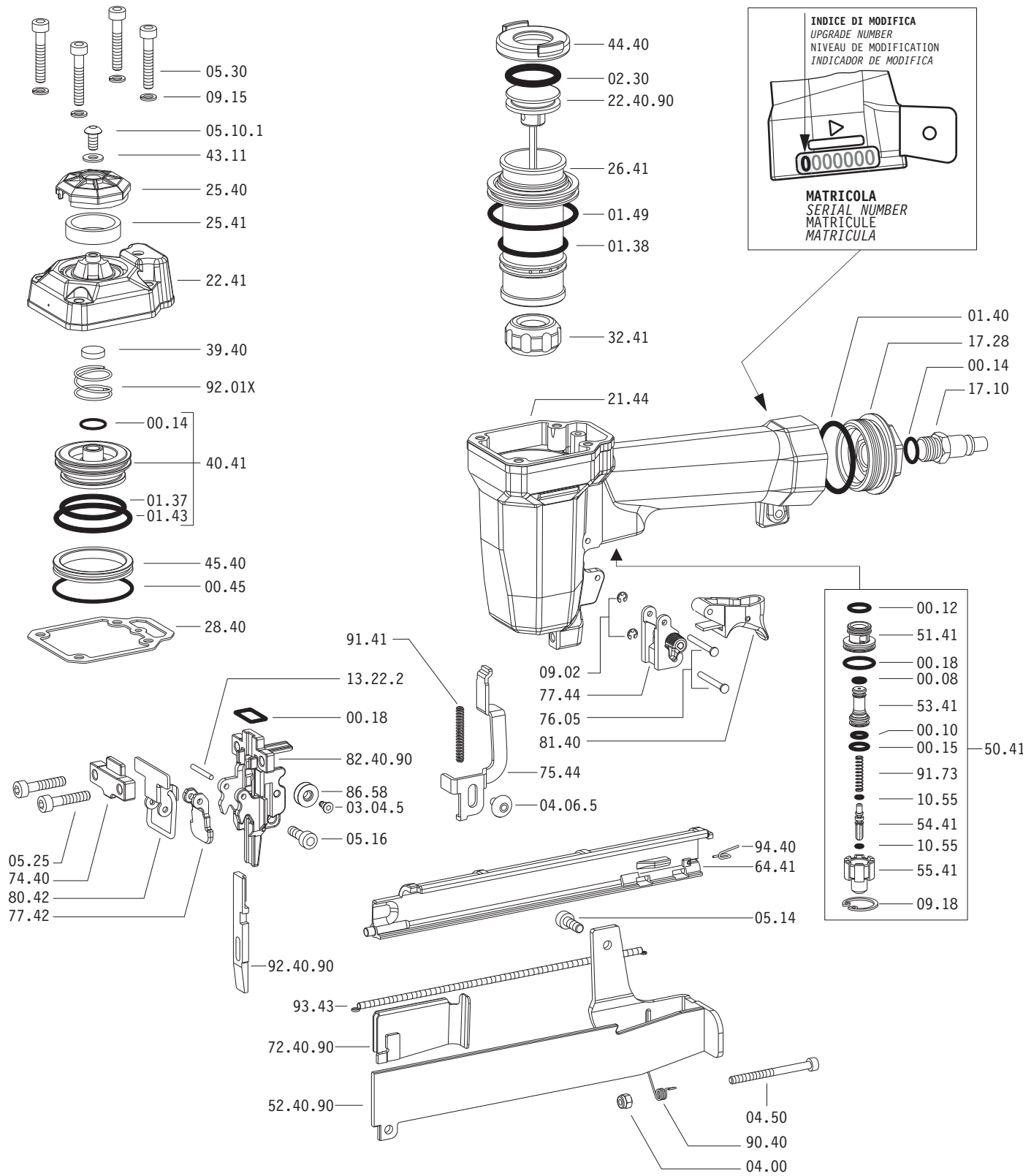
90

1,00x1,25

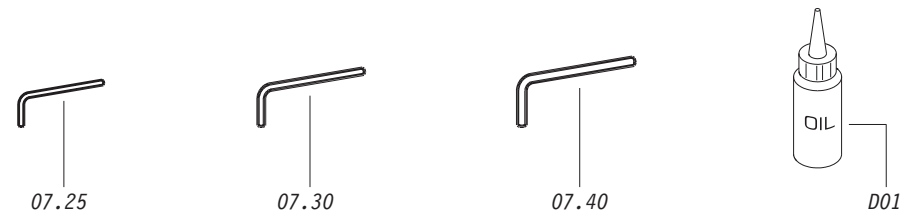


3,3
Crown: 7/32"
Thickness: 0.040"
Width: 0.050"
Gauge: 18

Parti di ricambio - Spare parts - Ersatzteile - Pièces de rechange - Piezas de repuesto
- Partes sobresselentes - Tabel te raadplegen - Reservedele



Dotazioni - Equipment - Ausrüstung - Équippements - Equipamiento - Equipamento - Uitrusting - Udstyr

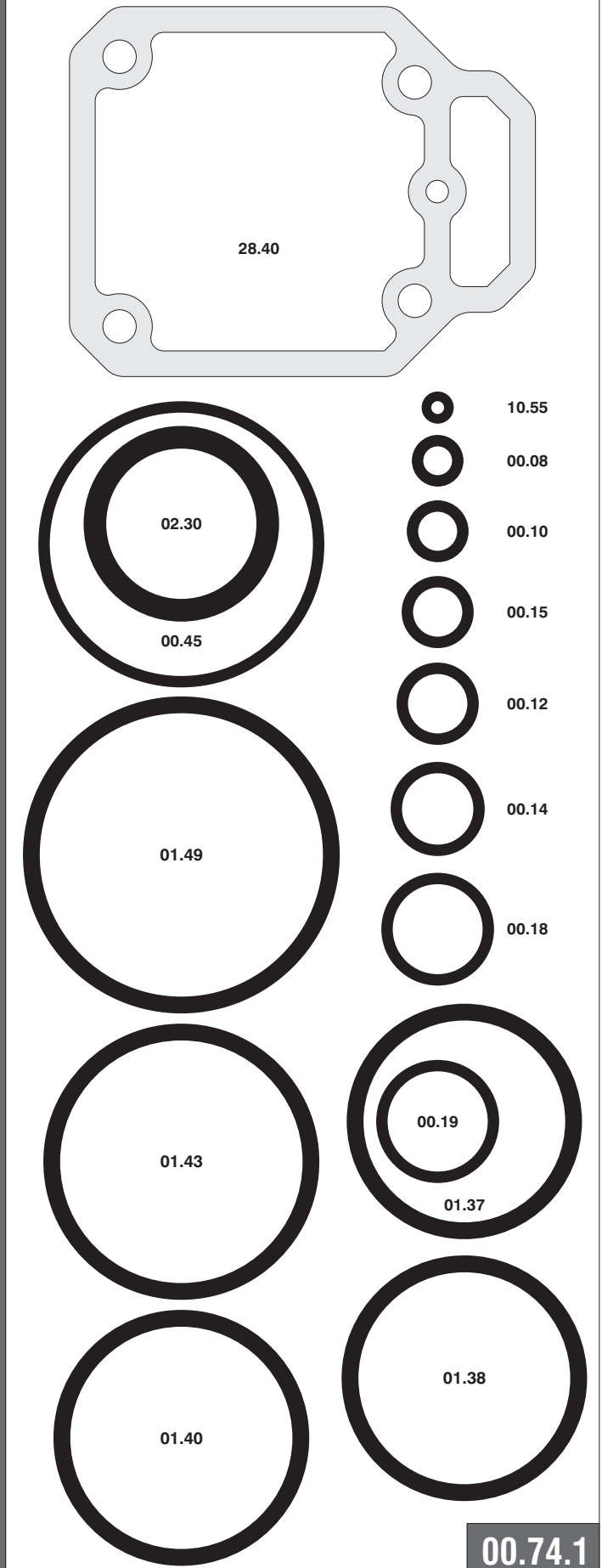


Parti di ricambio - Spare parts - Ersatzteile - Pièces de rechange - Piezas de repuesto
- Partes sobresselentes - Tabel te raadplegen - Reservedele

| Cod. | Descrizione | Description |
|----------|----------------------|-----------------------|
| 00.08 | O-Ring | O-Ring |
| 00.10 | O-Ring | O-Ring |
| 00.12 | O-Ring | O-Ring |
| 00.14 | O-Ring | O-Ring |
| 00.15 | O-Ring | O-Ring |
| 00.18 | O-Ring | O-Ring |
| 00.45 | O-Ring | O-Ring |
| 01.37 | O-Ring | O-Ring |
| 01.38 | O-Ring | O-Ring |
| 01.40 | O-Ring | O-Ring |
| 01.43 | O-Ring | O-Ring |
| 01.49 | O-Ring | O-Ring |
| 02.30 | O-Ring | O-Ring |
| 03.04.5 | Vite | Screw |
| 04.00 | Dado | Nut |
| 04.06.5 | Vite | Screw |
| 04.50 | Vite | Screw |
| 05.10.1 | Vite | Screw |
| 05.14 | Vite | Screw |
| 05.16 | Vite | Screw |
| 05.25 | Vite | Screw |
| 05.30 | Vite | Screw |
| 07.25 | Chiave esagonale | Hex. bar wrench |
| 07.30 | Chiave esagonale | Hex. bar wrench |
| 07.40 | Chiave esagonale | Hex. bar wrench |
| 09.02 | Anello elastico | Elastic ring |
| 09.15 | Rondella | Washer |
| 09.18 | Anello elastico | Elastic ring |
| 10.55 | O-Ring | O-Ring |
| 13.22.2 | Spina | Pin |
| 17.10 | Raccordo 1/4" | Air plug 1/4" |
| 17.28 | Tappo | Inlet cap |
| 21.44 | Corpo | Body |
| 22.41 | Testa | Head |
| 25.40 | Deflettore | Exhaust deflector |
| 25.41 | Silenziatore | Silencer |
| 26.41 | Cilindro | Cylinder |
| 28.40 | Guarnizione testa | Head gasket |
| 32.41 | Ammortizzatore | Bumper |
| 39.40 | Guarnizione scarico | Exhaust seal |
| 40.41 | Valvola completa | Valve ass'y |
| 43.11 | Rondella | Washer |
| 44.40 | Guarnizione | Gasket |
| 45.40 | Anello valvola | Ring |
| 50.41 | Pulsante completo | Trigger valve ass'y |
| 51.41 | Boccola pulsante | Trigger valve housing |
| 53.41 | Pistone servovalvola | Valve piston |
| 54.41 | Pulsante | Trigger valve |
| 55.41 | Raccordo pulsante | Bush |
| 64.41 | Carter | Hold down |
| 74.40 | Staffa testina | Nose guide |
| 75.44 | Sicura | Safety |
| 76.05 | Perno | Pin |
| 77.42 | Guida testina | Safety nose plate |
| 77.44 | Guida sicura | Safety guide |
| 80.42 | Grilletto testina | Nose plate lock |
| 81.40 | Grilletto comando | Trigger |
| 86.58 | Carrucola | Pulley |
| 90.40 | Molla | Spring |
| 91.41 | Molla | Spring |
| 91.73 | Molla | Spring |
| 92.01X | Molla | Spring |
| 93.43 | Molla | Spring |
| 94.40 | Molla | Spring |
| 22.40.90 | Battente | Driver |
| 52.40.90 | Caricatore | Magazine |
| 72.40.90 | Spingipunto | Pusher |
| 82.40.90 | Controtestina | Nose |
| 92.40.90 | Testina | Nose plate |
| D01 | Bocchetta olio | Oiler |

- Kit de o-rings - O-ringen - Pakninger

- Guarnizioni - O-Rings - Dichtungen - Joints - Empaquetadura de anillo -



1417000_9032_1 260505

90.32

cod. 1417000

Indice di modifica
Upgrade number

1

1054543

00.74.1