

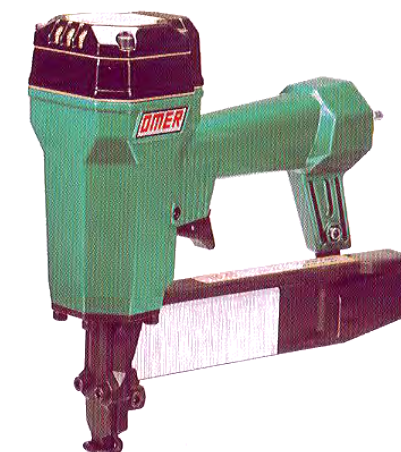


Manuale d'uso, manutenzione e parti di ricambio
Use, maintenance and spare parts manual
Gebrauchsanweisung, Instandhaltungsrichtlinien und Ersatzteile
Manuel d'utilisation, entretien et pièces de rechange
Manual de uso, mantenimiento y repuestos

Parte 2
Part 2
Teil 2
Partie 2
Part 2

Manual de utilização, manutenção e partes sobresselentes
Handleiding voor gebruik, onderhoud en reservedelslste
Brugsanvisning, vedligeholdelse og reservedelslste

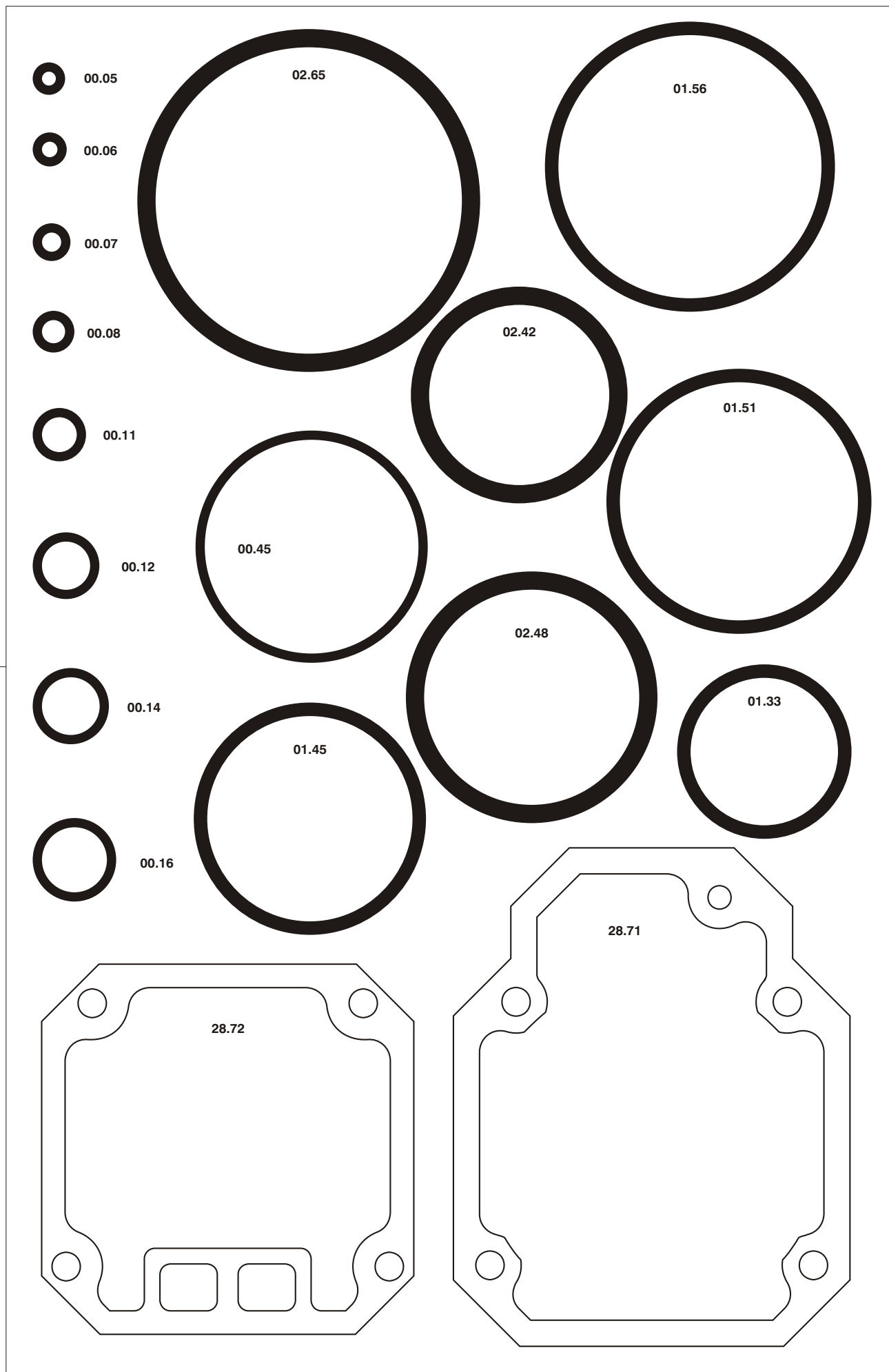
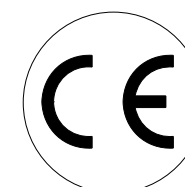
2°
Parte 2
Deel 2
Del 2



92.40 NS

cod. 1717220

1717220_92.40NS_1 281099



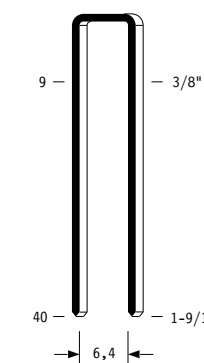
00.77.1

| Dati tecnici Technical data Technische daten | Données techniques Datos técnicos | Dados técnicos Technischegegevens Tecniske data |
|--|--|--|
| Misure impiegabili mm Usable lengths mm Gebrauchliche Längen mm | Mesures utilisable mm Medidas que se pueden emplear mm | Medidas que se podem utilizar mm Te gebruiken engtes in mm Brugbare laengder i mm |
| Capacità caricatore n° punti Magazine capacity No. of fasteners Magazinkapazität Nägel | Capacité chargeur n° de points Capacidad cargador n° puntos | Capacitade carregador n° pontos Capaciteit magazijn in aantal spijkers Kapacitet af magasin antal klemme |
| Pressione d'esercizio Working pressure Betriebsdruck | Pression de fonctionnement Presión de trabajo | Pressao de trabalho Werkdruk Arbejds tryk bar |
| Consumo aria litri/colpo Air consumption litres/shot Luftverbrauch Liter/Schlag | Consommation air litre/coup Consumo aire-litros/golpe | Consumo ar litro/golpe Luchtverbruik liter/schot Luftforbrug liter/skud |
| Peso kg Weight kg Gewicht kg | Poids kg Peso kg | Peso kg Gewicht in kg Vaegt kg |
| Dimensioni (AxBxH) mm Dimensions mm Größe mm | Dimension mm Dimensiones mm | Dimencoes mm Afmetingen in mm Dimensioner mm |
| ISO 11201 Pressione sonora in pos. operatore Sound pressure at the workstation Lärmintensität am Arbeitsplatz | ISO 11201 Pression acoustique près de l'opérateur Presión sonora en posición encargado | ISO 11201 Intensidade sonora perto do operador Geluidssterkte op de werkplek Lydstyrke på operatorposten |
| ISO 3744 Potenza sonora emessa Emitted sound power Ausgestrahlte Lärmintensität | ISO 3744 Puissance acoustique émise Potencia sonora emitida | ISO 3744 Potência sonora emitida Uitgestraalde geluidssterkte Udsendt lydstryrke |
| ISO 5349-86 Valore medio ponderato di vibrazione sull'impugnatura max.33 colpi Weighted mean value of vibration on the grip max.33 shots Mitteler Vibrationswert, am Griff gemessen max.33 Schäge | ISO 5349-86 Valeur moyenne pondérée de vibration mesurée sur la poignée max.33 coups Valor medio ponderado de vibracion medida en la empunadura max.33 golph | ISO 5349-86 Valor medio ponderado de vibracao medida no punho max.33 golpes Gewogen gemiddelde vibratiewaarde max.33 schot Middelvaerdi af vibrationer pa handtaget max.33 skud |

Tipo di punto
Type of fastener
Befestigungselement
Type d'agrafe
Tipo de punto
Tipo de ponto
Type nietjes
Tilspændingstype

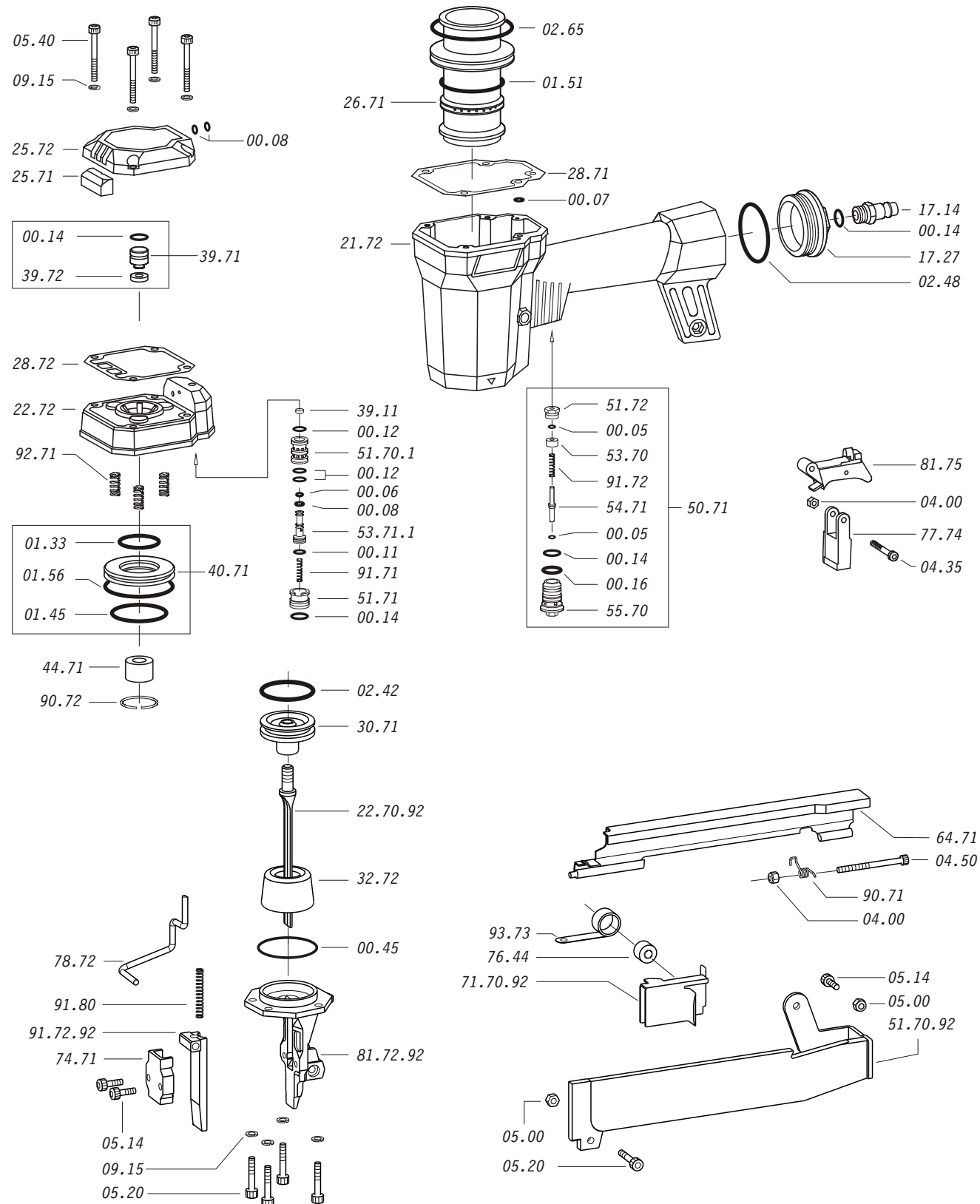
92

1,00x1,25

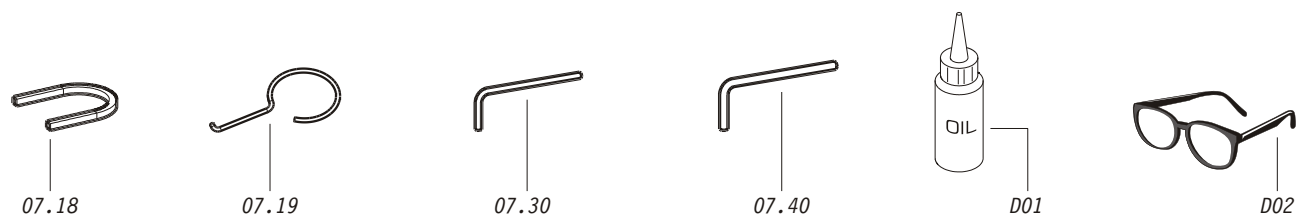


Crown: 21/64"
 Thickness: .040"
 Width: 0.050"
 Gauge: 18

Parti di ricambio - Spare parts - Ersatzteile - Pièces de rechange - Piezas de repuesto
- Partes sobresselentes - Tabel te raadplegen - Reservedele

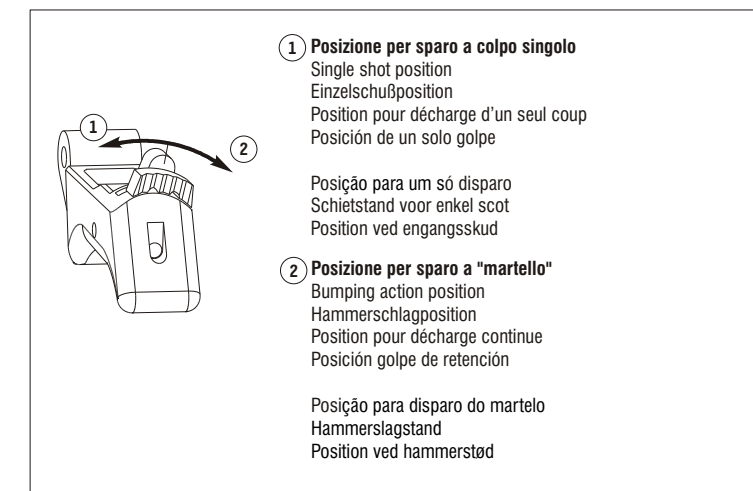
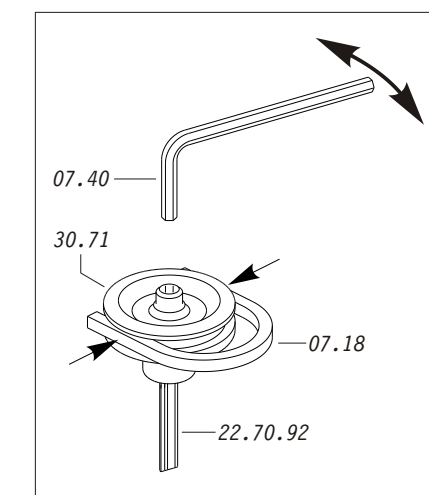
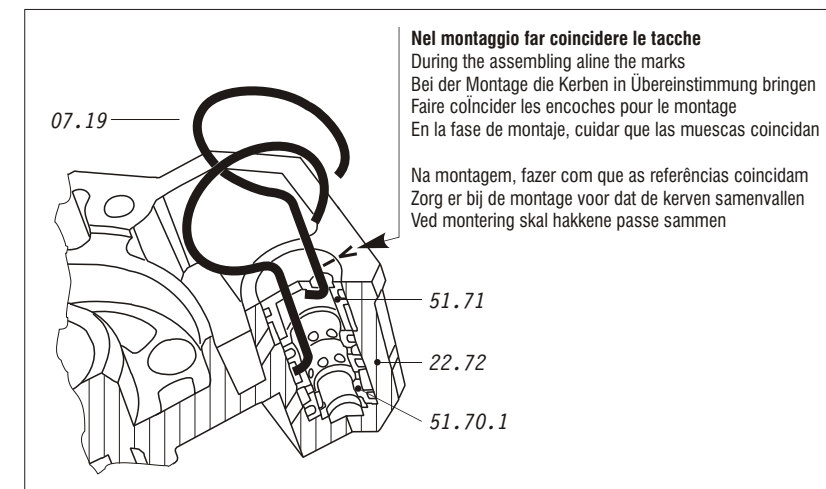


Dotazioni - Equipment - Ausrüstung - Équipements - Equipamiento -
Equipamento - Uitrusting - Udstyr



Parti di ricambio - Spare parts - Ersatzteile - Pièces de rechange - Piezas de repuesto
- Partes sobresselentes - Tabel te raadplegen - Reservedele

| Cod. | Descrizione | Description |
|----------|-------------------------------|------------------------------|
| 00.05 | O-Ring | O-Ring |
| 00.06 | O-Ring | O-Ring |
| 00.07 | O-Ring | O-Ring |
| 00.08 | O-Ring | O-Ring |
| 00.11 | O-Ring | O-Ring |
| 00.12 | O-Ring | O-Ring |
| 00.14 | O-Ring | O-Ring |
| 00.16 | O-Ring | O-Ring |
| 00.45 | O-Ring | O-Ring |
| 01.33 | O-Ring | O-Ring |
| 01.45 | O-Ring | O-Ring |
| 01.51 | O-Ring | O-Ring |
| 01.56 | O-Ring | O-Ring |
| 02.42 | O-Ring | O-Ring |
| 02.48 | O-Ring | O-Ring |
| 02.65 | O-Ring | O-Ring |
| 04.00 | Dado | Nut |
| 04.35 | Vite | Screw |
| 04.50 | Vite | Screw |
| 05.00 | Dado | Nut |
| 05.14 | Vite | Screw |
| 05.20 | Vite | Screw |
| 05.40 | Vite | Screw |
| 07.18 | Chiave pistone | Piston wrench |
| 07.19 | Estrattore | Extractor |
| 07.30 | Chiave esagonale | Hex. bar wrench |
| 07.40 | Chiave esagonale | Hex. bar wrench |
| 09.15 | Rondella | Washer |
| 17.14 | Raccordo 1/4" | Air plug 1/4" |
| 17.27 | Tappo | Inlet cap |
| 21.72 | Corpo (specificare il colore) | Body (to specify the colour) |
| 22.72 | Testa | Head |
| 25.71 | Silenziatore | Silencer |
| 25.72 | Deflettore scarico | Exhaust deflector |
| 26.71 | Cilindro | Cylinder |
| 28.71 | Guarnizione testa | Head gasket |
| 28.72 | Guarnizione testa | Head gasket |
| 30.71 | Pistone | Piston |
| 32.72 | Ammortizzatore | Bumper |
| 39.11 | Guarnizione servovalvola | Servo valve gasket |
| 39.71 | Valvola scarico completa | Exhaust valve assembled |
| 39.72 | Guarnizione valvola scarico | Exhaust valve gasket |
| 40.71 | Valvola completa | Valve assembled |
| 44.71 | Ammortizzatore sup. | Upper bumper |
| 50.71 | Pulsante completo | Trigger valve assembled |
| 51.70.1 | Cilindro servovalvola | Servo valve cylinder |
| 51.71 | Boccola servovalvola | Servo valve bushing |
| 51.72 | Premistoppa | Stuffing box |
| 53.70 | Distanziale | Spacer |
| 53.71.1 | Pistone servovalvola | Servo valve piston |
| 54.71 | Pulsante | Trigger valve |
| 55.70 | Raccordo | Trigger valve bush |
| 64.71 | Carter | Hold down |
| 74.71 | Guida testina | Nose plate guide |
| 76.44 | Rullo molla | Roller |
| 77.74 | Guida sicura | Safety guide |
| 78.72 | Sicura | Safety |
| 81.75 | Grilletto comando completo | Trigger assembled |
| 90.71 | Molla | Spring |
| 90.72 | Molla | Spring |
| 91.71 | Molla | Spring |
| 91.72 | Molla | Spring |
| 91.80 | Molla | Spring |
| 92.71 | Molla | Spring |
| 93.73 | Molla | Spring |
| 22.70.92 | Battente | Driver |
| 51.70.92 | Caricatore | Magazine |
| 71.70.92 | Spingipunto | Pusher |
| 81.72.92 | Controtestina | Nose |
| 91.72.92 | Testina | Nose plate |
| D01 | Bocchetta olio | Oiler |
| D02 | Occhiali protettivi | Protective goggles |



1717220_92.40NS_1 281099

92.40 NS

cod. 1717220

Indice di modifica
Upgrade number

1