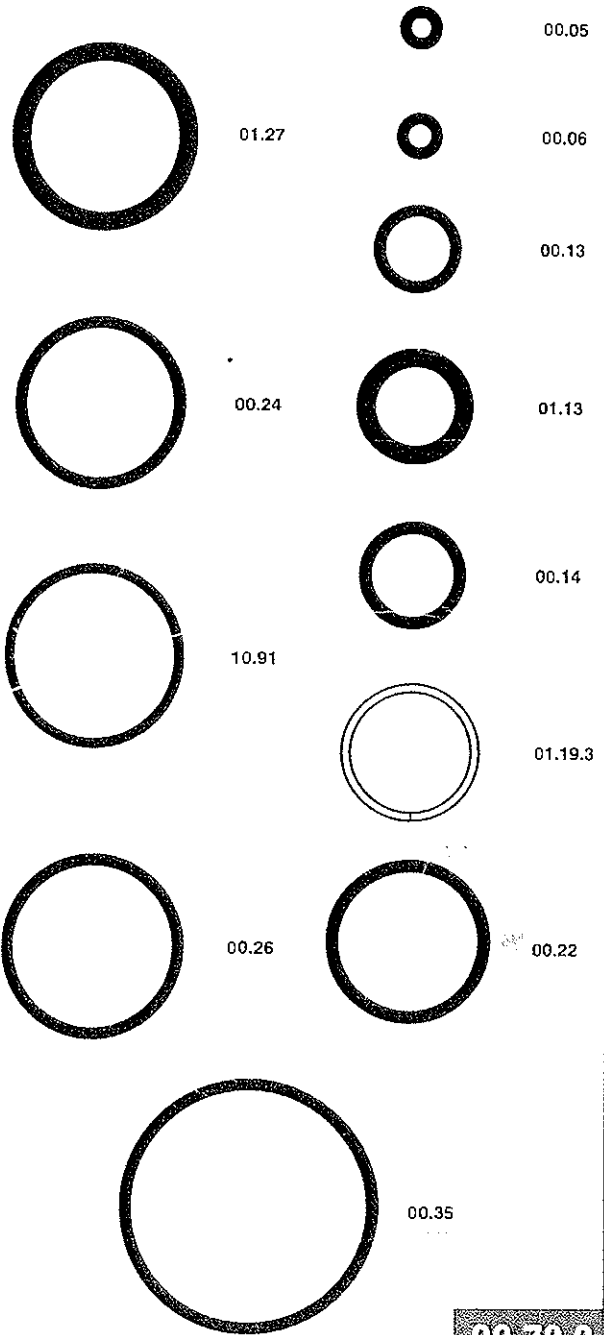
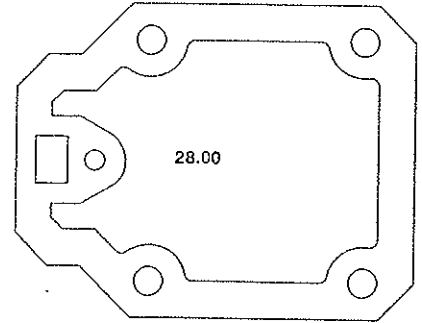


Cod.	Descrizione	Description
00.05	O-Ring	O-Ring
00.06	O-Ring	O-Ring
00.13	O-Ring	O-Ring
00.14	O-Ring	O-Ring
00.22	O-Ring	O-Ring
00.24	O-Ring	O-Ring
00.26	O-Ring	O-Ring
00.35	O-Ring	O-Ring
01.13	O-Ring	O-Ring
01.19.3	Guarnizione	Gasket
01.27	O-Ring	O-Ring
03.10	Vite	Screw
04.00	Dado	Nut
04.06	Vite	Screw
04.08	Vite	Screw
04.08.1	Vite	Screw
04.10	Vite	Screw
04.12.2	Vite	Screw
04.14	Vite	Screw
04.20	Vite	Screw
04.25	Vite	Screw
04.30	Vite	Screw
05.16	Vite	Screw
07.05	Sfera	Ball
07.25	Chiave esagonale	Hex. bar wrench
07.30	Chiave esagonale	Hex. bar wrench
07.40	Chiave esagonale	Hex. bar wrench
09.02	Anello elastico	Elastic ring
09.14	Anello elastico	Elastic ring
10.91	O-Ring	O-Ring
12.16.1	Spina	Pin
20.04	Corpo	Body
22.09	Testa	Head
24.00	Silenziatore	Silencer
26.14	Cilindro	Cylinder
28.00	Guarnizione	Gasket
32.06	Ammortizzatore	Bumper
39.03	Guarnizione scarico	Exhaust gasket
40.05	Valvola completa	Valve ass'y
43.09	Rondella	Washer
45.05	Anello valvola	Ring
54.03	Pulsante sparo	Trigger valve
54.05	Pulsante soffio	Air button
55.06	Raccordo	Bush
59.03	Distanziale	Spacer
64.08	Fondello	Cap
64.10	Carter	Carter
64.12	Gancio	Hanging-hook
64.12K	Kit Gancio	Hanging-hook Kit
70.01.1	Puntale	Contact tip
70.03	Supporto puntale	Contact tip support
72.08	Reggicaricatore	Support
72.22	Fermo carrello	Slider-stop
74.05	Fermo perno	Pin-stop
75.06	Sicura	Safety
76.04	Perno	Pin
77.09	Guida sicura	Safety guide
77.10	Blocco sicura	Safety block
80.07	Grilletto chiusura	Trigger lock
81.07	Grilletto comando	Trigger
87.07	Portamolla	Spring bearing
90.14	Molla	Spring
91.02	Molla	Spring
91.03X	Molla	Spring
91.06	Molla	Spring
91.09	Molla	Spring
91.10	Molla	Spring
91.42	Molla	Spring
93.11	Molla	Spring
94.04	Perno	Pin
95.01	Scatola molle	Spring box
20.04.05	Battente	Driver
31.00.05	Rondella	Washer
50.04.05	Caricatore	Magazine
60.04.05	Carrello	Slider
70.04.05	Spingipunto	Pusher
80.04.05	Controtestina	Nose
90.04.05	Testina	Nose plate
D01	Bocchetta olio	Oiler

Guarnizioni O-Rings - Dichtungen - Joints - Kit O-Rings - Anelli O-Rings - Pakninger



00.70.9

0000_BSS2_1_100306 IV