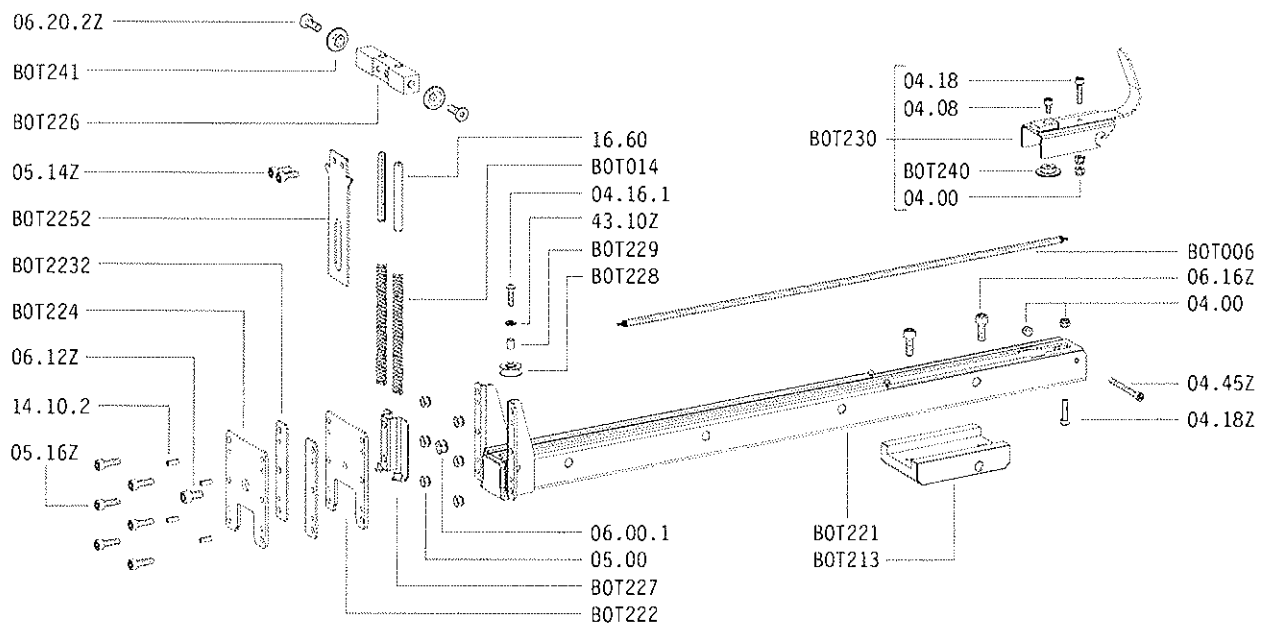


MB.32

cod. 1029720



Cod.	Descrizione	Description	Cod.	Descrizione	Description
04.00	Dado	Nut	BOT006	Molla	Spring
04.08	Vite	Screw	BOT014	Molla	Spring
04.16.1	Vite	Screw	BOT052	Piedino	Socle
04.18Z	Vite	Screw	BOT091	Molla	Spring
04.18	Vite	Screw	BOT200	Telaio	Frame Body
04.45Z	Vite	Screw	BOT201	Supporto	Support
05.00	Dado	Nut	BOT205	Braccio Verticale	Vertical Arm
05.00.1	Dado	Nut	BOT206	Braccio Orizzontale	Orizzontal Arm
05.14Z	Vite	Screw	BOT207.2	Incudine	Anvil
05.16Z	Vite	Screw	BOT208	Pedale	Foot Lever
05.20	Vite	Screw	BOT209	Traversa Inferiore	Lower Cross Bar
06.00.1	Dado	Nut	BOT210	Traversa Superiore	Upper Cross Bar
06.12Z	Vite	Screw	BOT211	Tirante	Connecting Rod
06.16Z	Vite	Screw	BOT213	Supporto Caricatore	Magazine Support
06.20.2Z	Vite	Screw	BOT214	Leva	Lever
06.25Z	Vite	Screw	BOT215	Biella	Connecting Rod
07.13	Chiave esagonale	Wrench	BOT216	Piastra	Plate
07.30	Chiave esagonale	Hex. bar wrench	BOT221	Caricatore	Magazine
07.40	Chiave esagonale	Hex. bar wrench	BOT222	Piastra Posteriore	Rear Plate
07.50	Chiave esagonale	Hex. bar wrench	BOT223.2	Guida Battente	Driver Guide
07.60	Chiave esagonale	Hex. bar wrench	BOT224	Piastra Anteriore	Front Plate
07.80	Chiave esagonale	Hex. bar wrench	BOT225.2	Battente	Driver
08.00	Dado	Nut	BOT226	Porta Battente	Driver Holder
08.10.4	Vite	Screw	BOT227	Carter	Carter
08.25.2Z	Vite	Screw	BOT228	Carrucola	Pulley
08.99Z	Vite	Screw	BOT229	Distanziale	Spacer
10.00	Dado	Nut	BOT230	Spingipunto	Pusher
10.25Z	Vite	Screw	BOT233	Ammortizzatore	Bumper
10.30Z	Vite	Screw	BOT238	Vaschetta	Staple Container
14.00	Dado	Nut	BOT240	Distanziale	Spacer
14.10.2	Spina	Pin	BOT241	Bussola	Bush
16.60	Spina	Pin	BOT243	Bussola	Bush
43.10Z	Rondella	Washer	BOT244	Bussola	Bush
43.13Z	Rondella	Washer	BOT245	Distanziale	Spacer