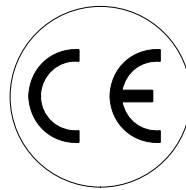




# SG44.30 N

cod. 1607800



1607800\_SG4430N\_0 270700

### Dati tecnici

Technical data  
Technische daten

### Données techniques

Datos tècnicos  
Τεχνικά χαρακτηριστικά

### Dados tècnicos

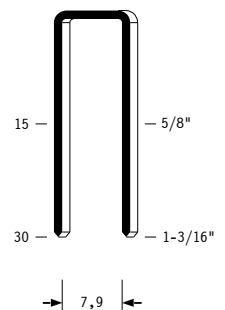
Technische gegevens  
Teknische data

<b>Misure impiegabili mm</b> Usable lengths mm Gebrauchliche Längen mm	Mesures utilisable mm Medidas que se pueden emplear mm Διαστάσεις σε μμ	Medidas que se podem utilizar mm Te gebruiken engtes in mm Brugbare laengder i mm	<b>15 ÷ 30</b>
<b>Capacità caricatore n° punti</b> Magazine capacity No. of fasteners Magazinkapazität Nägel	Capacité chargeur n° de points Capacidad cargador n° puntos Δυνατότητα γεμιστερα, σπινδετερης	Capacidade carregador n° pontos Capaciteit magazijn in aantal spijkers Kapasitet af magasin antal klemme	<b>120</b>
<b>Pressione d'esercizio</b> Working pressure Betriebsdruck	Pression de fonctionnement Presión de trabajo Πίεση λειτουργιασ ατμ.	Pressao de trabalho Werkdruk Arbejds tryk bar	<b>5 ÷ 6,5 bar 70 ÷ 95 psi</b>
<b>Consumo aria litri/colpo</b> Air consumption litres/shot Luftverbrauch Liter/Schlag	Consommation air litre/coup Consumo aire-litros/golpe Καταναλοση αερα λ/ξτπημα	Consumo ar litro/golpe Luchtverbruik liter/schot Luftforbrug liter/skud	<b>0,66</b>
<b>Peso kg</b> Weight kg Gewicht kg	Poids kg Peso kg Βαρος κγ	Peso kg Gewicht in kg Vaegt kg	<b>2,10</b>
<b>Dimensioni (AxBxH) mm</b> Dimensions mm Große mm	Dimension mm Dimensiones mm Δυνατότητα γεμιστερα , σπινδετερης	Dimencoes mm Afmetingen in mm Dimensioner mm	<b>299x63x227</b>
ISO 11201 <b>Pressione sonora in pos. operatore</b> Sound pressure at the workstation Lärmintensität am Arbeitsplatz	ISO 11201 Pression acoustique près de l'opérateur Presión sonora en posición encargado Ακουστικη πιεση στη θεση χειριστου	ISO 11201 Intensidade sonora perto do operador Geluidssterkte op de werkplek Lydstyrke på operatorposten	<b>95,2 dB(A)</b>
ISO 3744 <b>Potenza sonora emessa</b> Emitted sound power Ausgestrahlte Lärmintensität	ISO 3744 Puissance acoustique émise Potencia sonora emitida Ακουστικη ισχυ	ISO 3744 Potência sonora emitida Uitgestraalde geluidssterkte Udsendt lydstryrke	<b>105,0 dB(A)</b>
ISO 5349-86 <b>Valore medio ponderato di vibrazione sull'impugnatura max.33 colpi</b> Weighted mean value of vibration on the grip max.33 shots Mittler Vibrationswert, am Griff gemessen max.33 Schläge	ISO 5349-86 Valeur moyenne pondérée de vibration mesurée sur la poignée max.33 coups Valor medio ponderado de vibracion medida en la empuñadura max.33 golpes Μεσος ορος μετρησης κραδασιμων στη χειρολαβη μαξ.33 ξτπημα	ISO 5349-86 Valor medio ponderado de vibracao medida no punho max.33 golpes Gewogen gemiddelde vibratiewaarde max.33 schot Middelvaerdi af vibrationer pa handtaget max.33 skud	<b>2,5 m/s<sup>2</sup></b>

**Tipo di punto**  
Type of fastener  
Befestigungselement  
Type d'agrafe  
Tipo de punto  
Τυπος καρφιου  
Tipo de ponto  
Type nietjes  
Tilspændingstype

### SG44

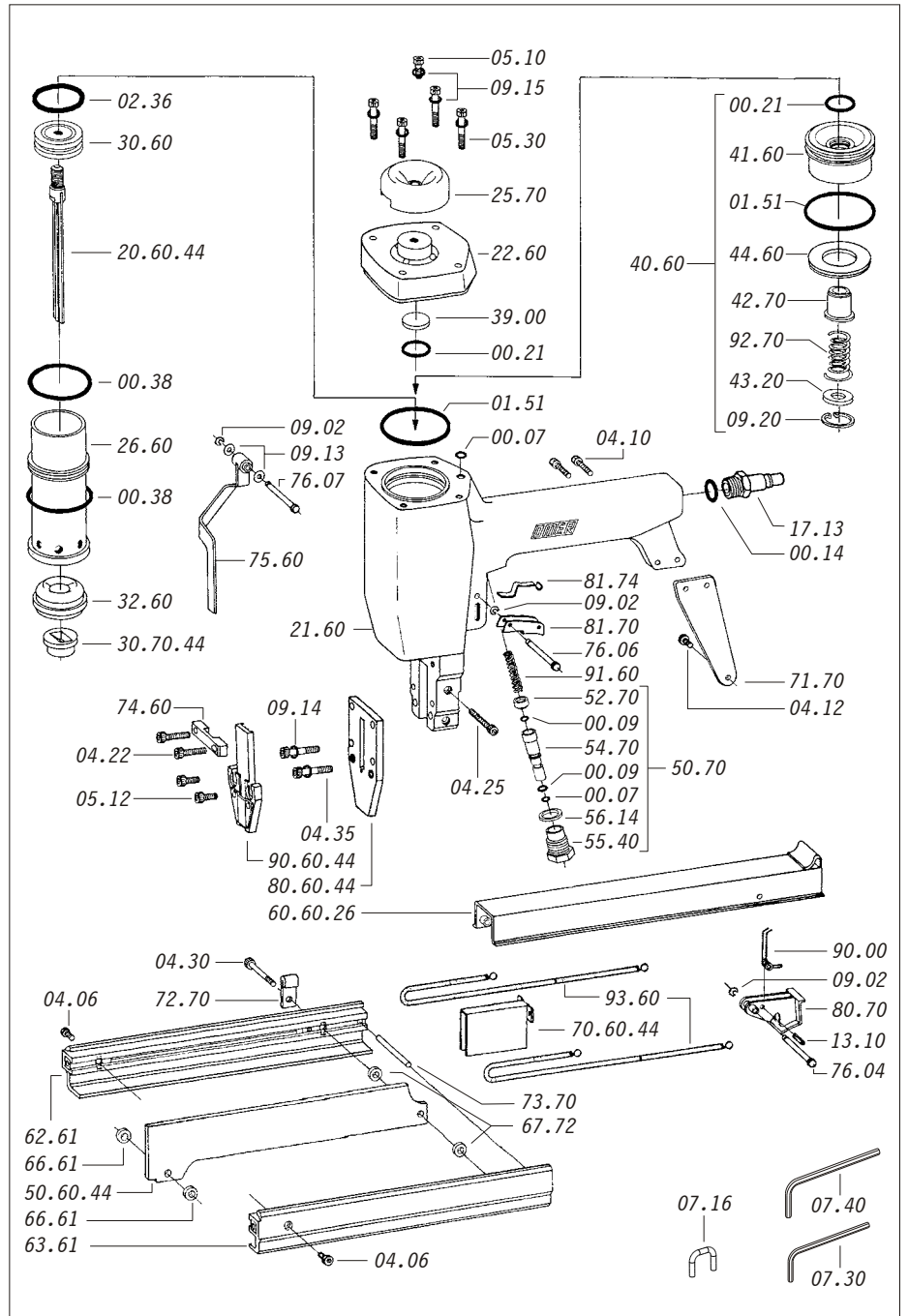
1,00x1,25



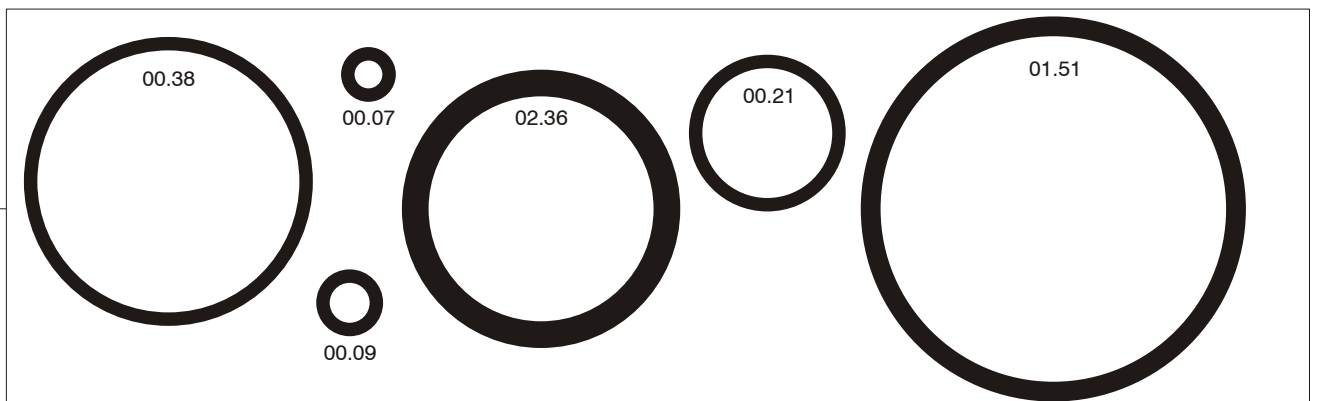
Crown: 25/64"  
Thickness: 0.040"  
Width: 0.050"  
Gauge: 18

**Parti di ricambio - Spare parts - Ersatzteile - Pièces de rechange - Piezas de repuesto**  
**Ανταλλακτικά - Partes sobresselentes - Tabel te raadplegen - Reservedele**

Cod.	Descrizione	Description
00.07	O-Ring	O-Ring
00.09	O-Ring	O-Ring
00.14	O-Ring	O-Ring
00.21	O-Ring	O-Ring
00.38	O-Ring	O-Ring
01.51	O-Ring	O-Ring
02.36	O-Ring	O-Ring
04.06	Vite	Screw
04.10	Vite	Screw
04.12	Vite	Screw
04.22	Vite	Screw
04.25	Vite	Screw
04.30	Vite	Screw
04.35	Vite	Screw
05.10	Vite	Screw
05.12	Vite	Screw
05.30	Vite	Screw
07.16	Chiave pistone	Piston wrench
07.30	Chiave esagonale	Hex. Bar wrench
07.40	Chiave esagonale	Hex. Bar wrench
09.02	Anello elastico	Elastic ring
09.13	Rondella	Washer
09.14	Rondella	Washer
09.15	Rondella	Washer
09.20	Anello elastico	Elastic ring
13.10	Spina	Pin
17.13	Attacco rapido 1/4"	Air plug 1/4"
21.60	Corpo (specificare il colore)	Body (to specify the colour)
22.60	Testa (specificare il colore)	Head (to specify the colour)
25.70	Deflettore	Exhaust deflector
26.60	Cilindro	Cylinder
30.60	Pistone	Piston
32.60	Ammortizzatore	Bumper
39.00	Guarnizione	Gasket
40.60	Valvola completa	Valve ass'y
41.60	Pistone valvola	Valve
42.70	Gambo valvola	Valve cylinder
43.20	Rondella	Washer
44.60	Guarnizione	Gasket
50.70	Pulsante completa	Trigger valve ass'y
52.70	Portamolla	Washer
54.70	Pulsante	Trigger valve
55.40	Raccordo	Bush
56.14	Guarnizione	Gasket
62.61	Banchina Sx	L. slider guide
63.61	Banchina Dx	R. slider guide
66.61	Distanziale	Spacer
67.72	Distanziale	Spacer
71.70	Reggicaricatore	Support
72.70	Fermo carrello	Slider stop
73.70	Perno	Pin
74.60	Staffa	Support
75.60	Sicura	Safety
76.04	Perno	Pin
76.06	Perno	Pin
76.07	Perno	Pin
80.70	Grilletto chiusura	Trigger
81.70	Grilletto comando	Trigger
81.74	Leva	Lever
90.00	Molla	Spring
91.60	Molla	Spring
92.70	Molla	Spring
93.60	Molla	Spring
20.60.44	Battente	Driver
30.70.44	Rondella	Washer
50.60.44	Caricatore	Magazine
60.60.26	Carrello	Slider
70.60.44	Spingipunto	Pusher
80.60.44	Controtestina	Nose
90.60.44	Testina	Nose plate



**Guarnizioni - O-Rings - Dichtungen - Joints - Empaquetadura de anillo - Λαστιχάκια - Kit de o-rings - O-ringen - Pakninger**



**SG44.30 N** cod. 1607800

Indice di modifica  
Upgrade number

**0**