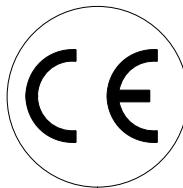




SG44.30 S

cod. 1407820

1407820_SG4430S_0 270700



Dati tecnici

Technical data
Technische daten

Données techniques

Datos tècnicos
Τεχνικά χαρακτηριστικά

Dados tècnicos

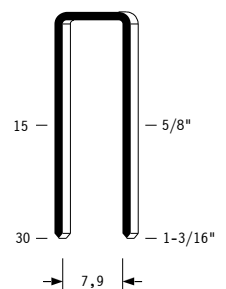
Technische gegevens
Teknische data

| | | | |
|---|--|--|------------------------------------|
| Misure impiegabili mm Usable lengths mm Gebrauchliche Längen mm | Mesures utilisable mm Medidas que se pueden emplear mm Διαστάσεις σε μμ | Medidas que se podem utilizar mm Te gebruiken engtes in mm Brugbare laengder i mm | 15 ÷ 30 |
| Capacità caricatore n° punti Magazine capacity No. of fasteners Magazinkapazität Nägel | Capacité chargeur n° de points Capacidad cargador n° puntos Δυνατότητα γεμιστερα, σπινδετερης | Capacidade carregador n° pontos Capaciteit magazijn in aantal spijkers Kapacitet af magasin antal klemme | 120 |
| Pressione d'esercizio Working pressure Betriebsdruck | Pression de fonctionnement Presión de trabajo Πίεση λειτουργιασ ατμ. | Pressao de trabalho Werkdruk Arbejds tryk bar | 5 ÷ 6,5 bar 70 ÷ 95 psi |
| Consumo aria litri/colpo Air consumption litres/shot Luftverbrauch Liter/Schlag | Consommation air litre/coup Consumo aire-litros/golpe Καταναλοση αερα λ/ξτπημα | Consumo ar litro/golpe Luchtverbruik liter/schot Luftforbrug liter/skud | 0,39 |
| Peso kg Weight kg Gewicht kg | Poids kg Peso kg Βαρος κγ | Peso kg Gewicht in kg Vaegt kg | 1,7 |
| Dimensioni (AxBxH) mm Dimensions mm Große mm | Dimension mm Dimensiones mm Δυνατότητα γεμιστερα , σπινδετερης | Dimencoes mm Afmetingen in mm Dimensioner mm | 240x51x205 |
| ISO 11201 Pressione sonora in pos. operatore Sound pressure at the workstation Lärmintensität am Arbeitsplatz | ISO 11201 Pression acoustique près de l'opérateur Presión sonora en posición encargado Ακουστικη πιεση στη θεση χειριστου | ISO 11201 Intensidade sonora perto do operador Geluidssterkte op de werkplek Lydstyrke på operatorposten | 87,8 dB(A) |
| ISO 3744 Potenza sonora emessa Emitted sound power Ausgestrahlte Lärmintensität | ISO 3744 Puissance acoustique émise Potencia sonora emitida Ακουστικη ισχυ | ISO 3744 Potência sonora emitida Uitgestraalde geluidssterkte Udsendt lydstryrke | 103,2 dB(A) |
| ISO 5349-86 Valore medio ponderato di vibrazione sull'impugnatura max.33 colpi Weighted mean value of vibration on the grip max.33 shots Mittler Vibrationswert, am Griff gemessen max.33 Schläge | ISO 5349-86 Valeur moyenne pondérée de vibration mesurée sur la poignée max.33 coups Valor medio ponderado de vibracion medida en la empuñadura max.33 golpe Μεσος ορος μετρησης κραδασιμων στη χειρολαβη μαξ.33 ξτπημα | ISO 5349-86 Valor medio ponderado de vibracao medida no punho max.33 golpes Gewogen gemiddelde vibratiewaarde max.33 schot Middelvaerdi af vibrationer pa handtaget max.33 skud | <2,5 m/s² |

Tipo di punto
Type of fastener
Befestigungselement
Type d'agrafe
Tipo de punto
Τυπος καρφιου
Tipo de ponto
Type nietjes
Tilspændingstype

SG44

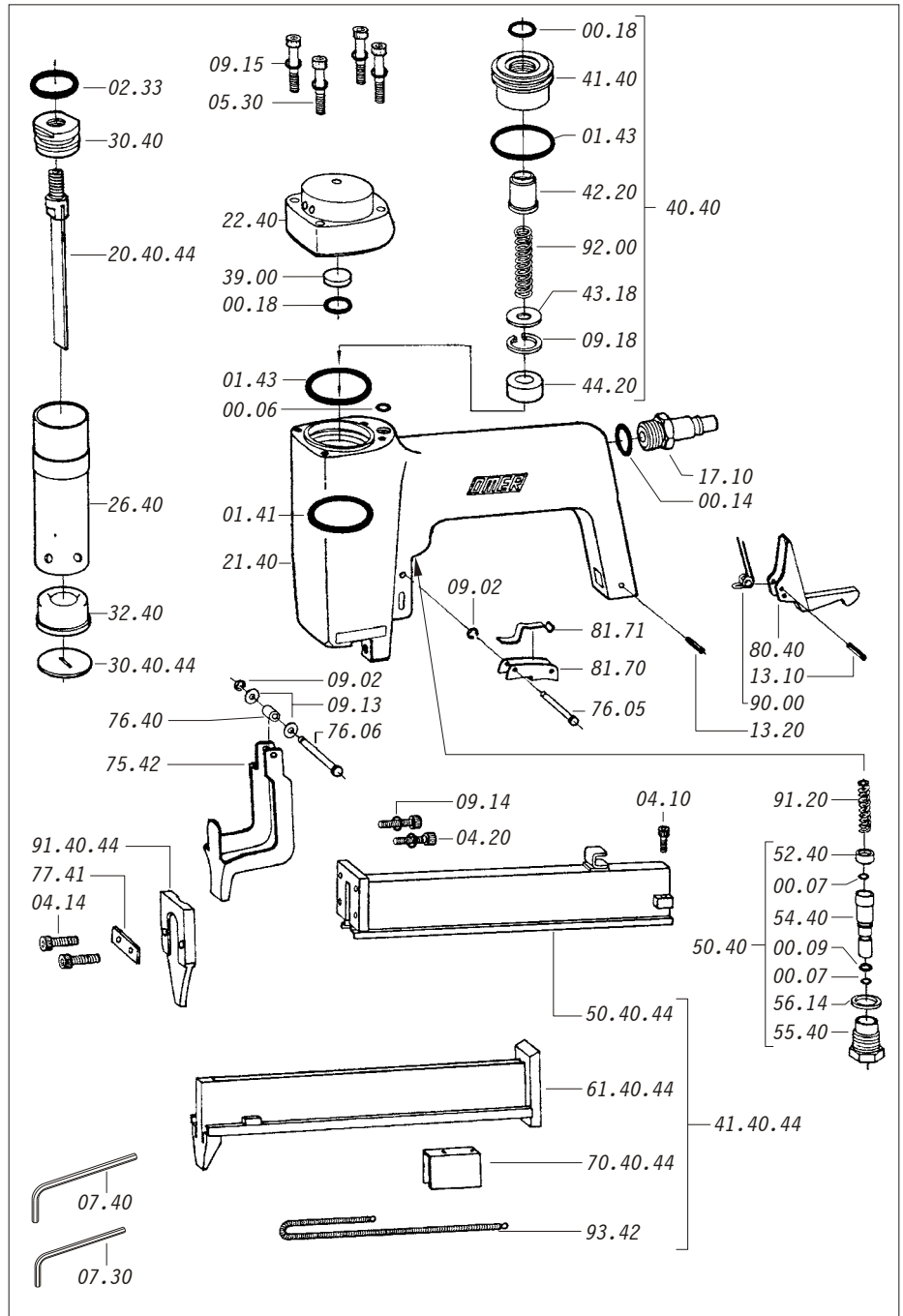
☑ 1,00x1,25



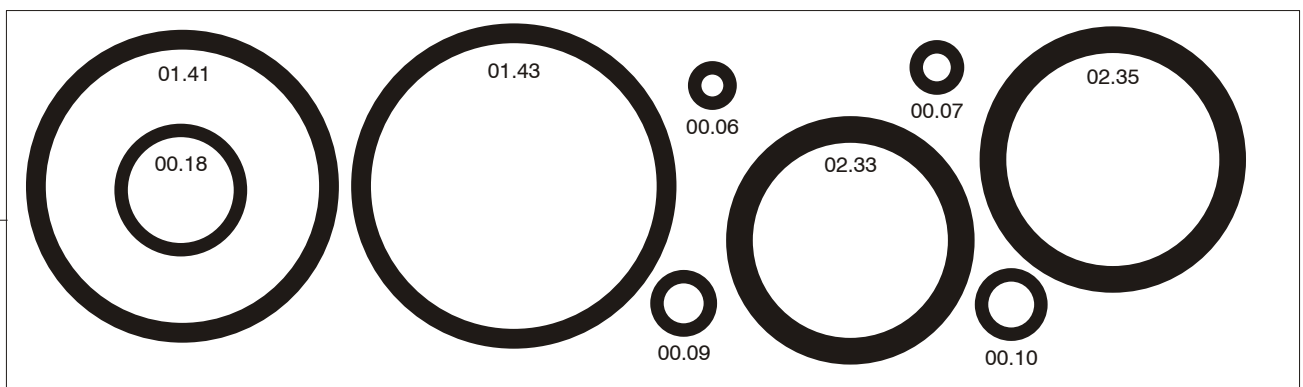
Crown: 25/64"
Thickness: 0.040"
Width: 0.050"
Gauge: 18

Parti di ricambio - Spare parts - Ersatzteile - Pièces de rechange - Piezas de repuesto
 Ανταλλακτικά - Partes sobresselentes - Tabel te raadplegen - Reservedele

| Cod. | Descrizione | Description |
|----------|-------------------------------|------------------------------|
| 00.06 | O-Ring | O-Ring |
| 00.07 | O-Ring | O-Ring |
| 00.09 | O-Ring | O-Ring |
| 00.14 | O-Ring | O-Ring |
| 00.18 | O-Ring | O-Ring |
| 01.41 | O-Ring | O-Ring |
| 01.43 | O-Ring | O-Ring |
| 02.33 | O-Ring | O-Ring |
| 04.10 | Vite | Screw |
| 04.14 | Vite | Screw |
| 04.20 | Vite | Screw |
| 05.30 | Vite | Screw |
| 07.30 | Chiave esagonale | Hex. Bar wrench |
| 07.40 | Chiave esagonale | Hex. Bar wrench |
| 09.02 | Anello elastico | Elastic ring |
| 09.13 | Rondella | Washer |
| 09.14 | Rondella | Washer |
| 09.15 | Rondella | Washer |
| 09.18 | Anello elastico | Elastic ring |
| 13.10 | Spina | Pin |
| 13.20 | Spina | Pin |
| 17.10 | Attacco rapido 1/4" | Air plug 1/4" |
| 21.40 | Corpo (specificare il colore) | Body (to specify the colour) |
| 22.40 | Testa (specificare il colore) | Head (to specify the colour) |
| 26.40 | Cilindro | Cylinder |
| 30.40 | Pistone | Piston |
| 32.40 | Ammortizzatore | Bumper |
| 39.00 | Guarnizione | Gasket |
| 40.40 | Valvola completa | Valve ass'y |
| 41.40 | Pistone valvola | Valve |
| 42.20 | Gambo valvola | Valve cylinder |
| 43.18 | Rondella | Washer |
| 44.20 | Guarnizione | Gasket |
| 50.40 | Pulsante completo | Trigger valve ass'y |
| 52.40 | Portamollla | Washer |
| 54.40 | Pulsante | Trigger valve |
| 55.40 | Raccordo | Bush |
| 56.14 | Guarnizione | Gasket |
| 75.42 | Sicura | Safety |
| 76.05 | Perno | Pin |
| 76.06 | Perno | Pin |
| 76.40 | Rullo | Roller |
| 77.41 | Guida sicura | Safety guide |
| 80.40 | Grilletto chiusura | Trigger |
| 81.70 | Grilletto comando | Trigger |
| 81.71 | Leva grilletto | Trigger lever |
| 90.00 | Molla | Spring |
| 91.20 | Molla | Spring |
| 92.00 | Molla | Spring |
| 93.42 | Molla | Spring |
| 20.40.44 | Battente | Driver |
| 30.40.44 | Guida battente | Drive guide |
| 41.40.44 | Caricatore completo | Magazine ass'y |
| 50.40.44 | Caricatore | Magazine |
| 61.40.44 | Carrello | Slider |
| 70.40.44 | Spingipunto | Pusher |
| 91.40.44 | Testina | Nose plate |



Guarnizioni - O-Rings - Dichtungen - Joints - Empaquetadura de anillo - Λαστιχακια - Kit de o-rings - O-ringen - Pakninger



SG44.30 S cod. 1407820

Indice di modifica Upgrade number

0