

Dati tecnici

Lubrificazione consigliata:

Olio per utensili pneumatici

Accessori:

chiave esagonale 3-4-5-6 mm

Applicazioni:

Carpenteria pesante, sotto pavimento, roofing, rivestimenti, pallets, scatole e gabbie.

Sistema di funzionamento:

Funzionamento sequenziale singolo

Caricamento

1. Arretrare lo spingipunto fino alla posizione di scatto.
2. Caricare i chiodi dall'alto.
3. Rilasciare il meccanismo di chiusura seguendo lo spingipunto fino alla chiusura ricordando di tener le dita lontano dal percorso dello stesso.

Technical data

Recommended lubrications:

Pneumatic tool oil

Accessories:

3, 4, 5 and 6 mm hex. bar wrenches

Applications & suitability:

Heavy-duty framing, sub floors, roofing, sheathing, pallets, boxes and crates.

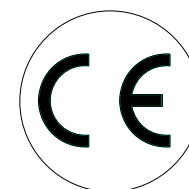
Actuating system:

Single sequential actuation

Filling the magazine

1. Pull back the pusher mechanism until it latches into position.
2. Load the nails into the top of the magazine.
3. Releases the latch mechanism to allow the pusher to close remembering to take care and keep fingers well clear of its pathway.

195MSN22160A1_SN22160_210611 IV



Manuale d'uso, manutenzione e parti di ricambio Parte 2

Use, maintenance and spare parts manual Part.2

SN22.160

cod. 195MSN22160A1

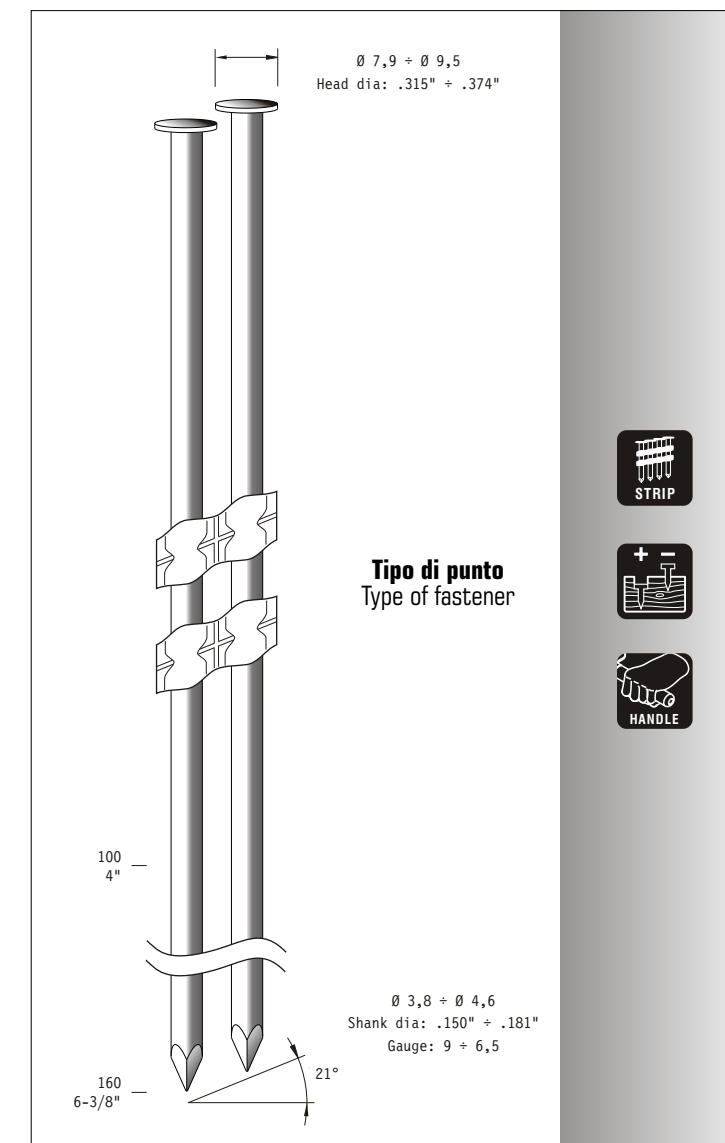
Indice di modifica
Upgrade number

A1

| | |
|---|--|
| Misure impiegabili mm (inch) Usable lengths mm (inch) | 100 ÷ 160 (4" ÷ 6-3/8") |
| Capacità caricatore n° punti Magazine capacity No. of fasteners | 50 |
| Pressione d'esercizio bar (psi) Working pressure bar (psi) | 5 ÷ 8 (70 ÷ 115) |
| Consumo aria litri/colpo a 7 bar Air consumption litres/shot at 7 bar | 4,96 |
| Peso kg Weight kg | 6,90 |
| Dimensioni (AxBxH) mm Dimensions mm | 568x145x538 |
| Pressione sonora Max A-Weighted surface impulse sound pressure level | 105,7 dBA |
| Potenza sonora emessa Max A-Weighted impulse sound power level | 92,7 dBA |
| Vibrazione Vibration | 5,41 m/s² |

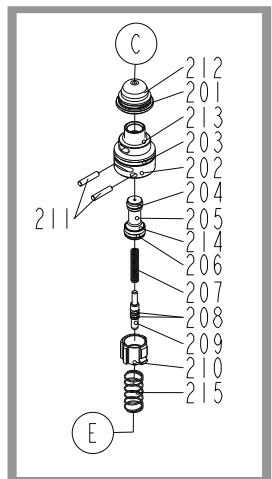
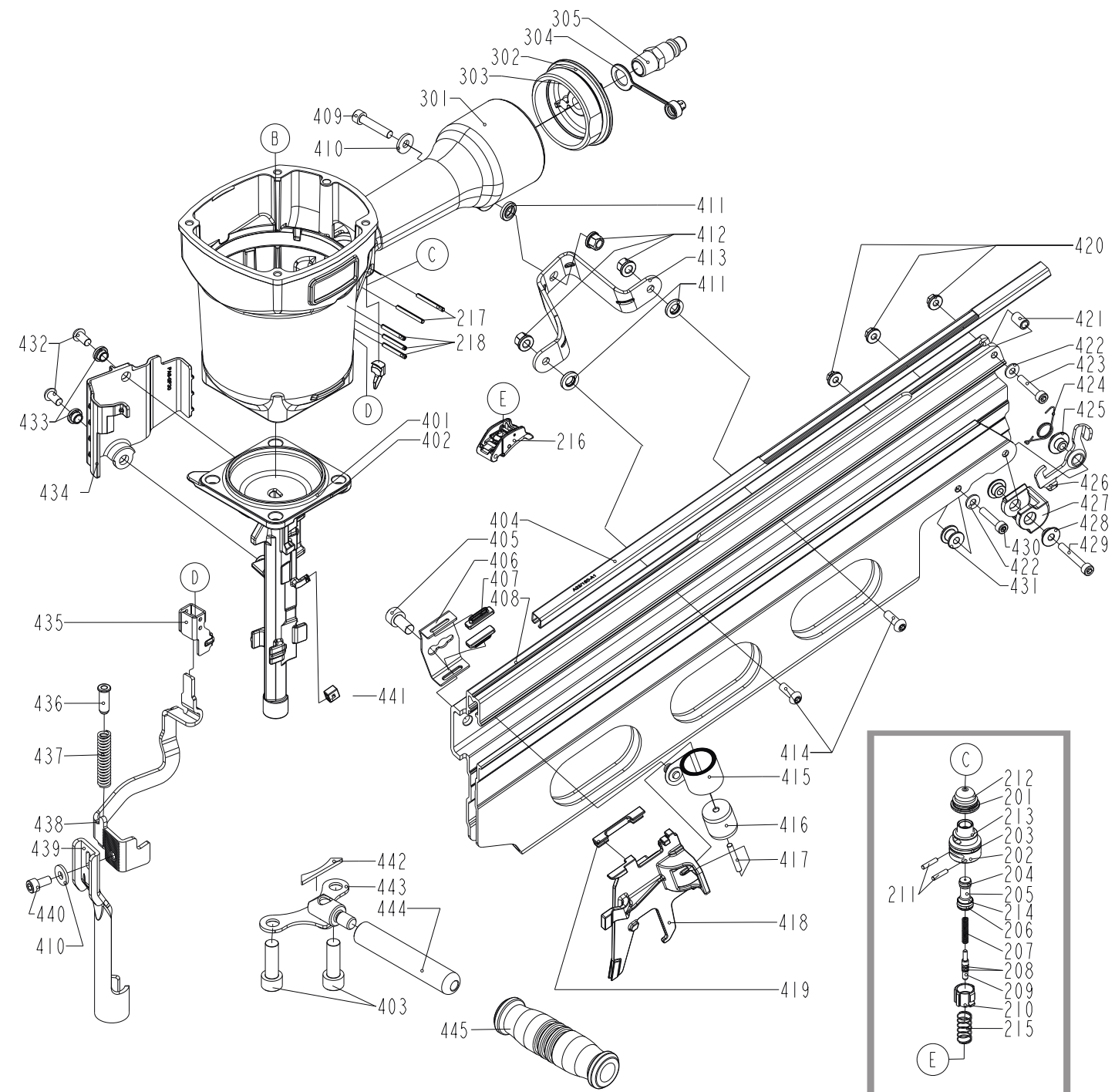
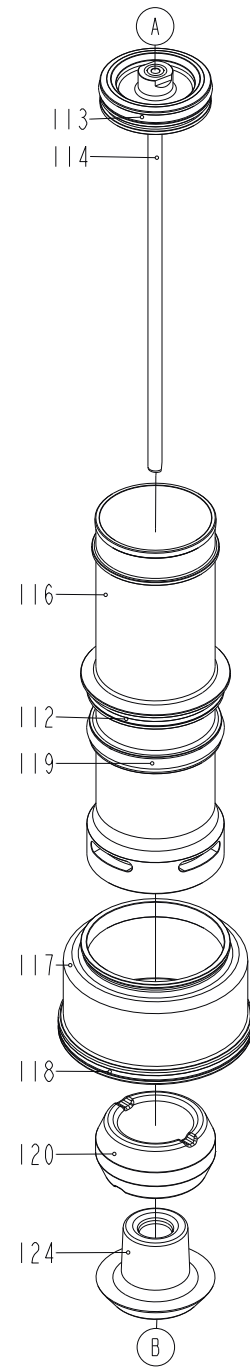
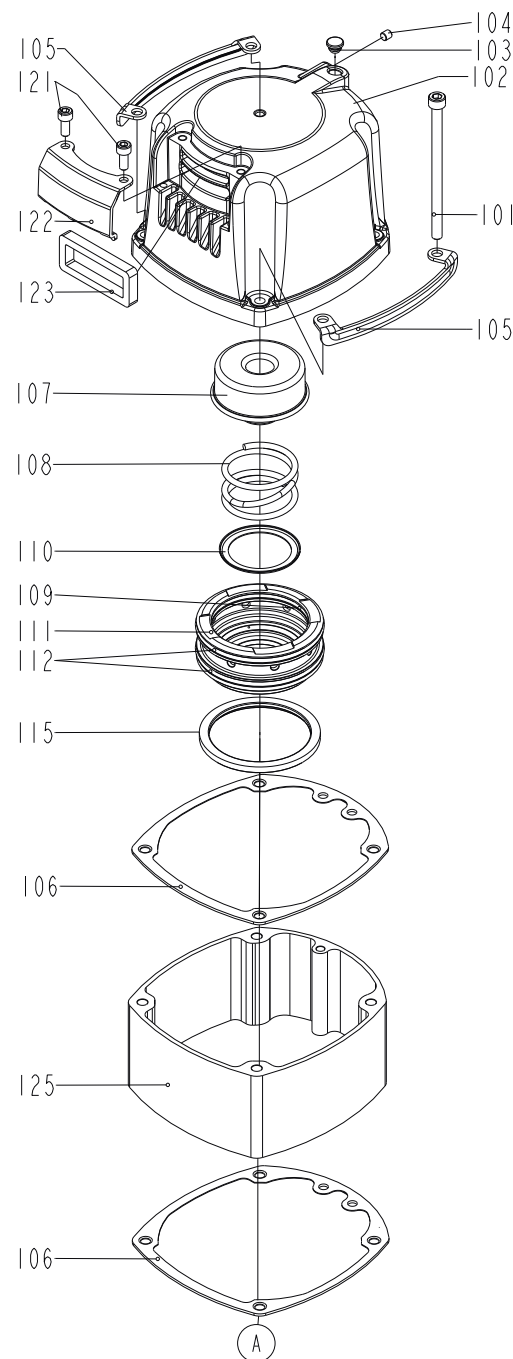
omer s.p.a.

Via Foresto, 42 - 31058 SUSEGANA (TV) ITALY
Tel. 0438 455 318 Fax 0438 455 530
e-mail: omer@omer.it www.omer.it



Ref. No. Part No. Description

| | | |
|-----|---------------|--------------------------|
| 101 | 2MSN2216-A101 | Hex. Soc. Hd. Bolt |
| 102 | 2MSN2213-A102 | Cap |
| 103 | 2MCN2970-A103 | Grommet |
| 104 | 2MCN2970-A104 | Hex. Soc. Hd. Screw |
| 105 | 2MSN2213-A105 | Guide Cover |
| 106 | 2MSN2213-A106 | Cylinder Cap Seal |
| 107 | 2MSN2213-A107 | Seal |
| 108 | 2MSN2213-A108 | Compression Spring |
| 109 | 2MCN2970-A112 | O-Ring |
| 110 | 2MSN2213-A110 | Washer |
| 111 | 2MSN2213-A111 | Hd. Valve Piston |
| 112 | 2MSN2213-A112 | O-Ring |
| 113 | 2MSN2213-A113 | O-Ring |
| 114 | 2MSN2216-A114 | Driver Unit |
| 115 | 2MSN2213-A115 | Collar |
| 116 | 2MSN2216-A116 | Cylinder |
| 117 | 2MSN2216-A117 | Cylinder Spacer |
| 118 | 2MSN2213-A118 | O-Ring |
| 119 | 2MSN2213-A119 | O-Ring |
| 120 | 2MSN2213-A120 | Bumper-A |
| 121 | 2MSN2213-A121 | Hex. Soc. Hd. Bolt |
| 122 | 2MSN2213-A122 | Deflector |
| 123 | 2MSN2213-A123 | Muffler |
| 124 | 2MSN2213-A124 | Bumper |
| 125 | 2MSN2213-A125 | Cap |
| 201 | 2MCN2970-A201 | O-Ring |
| 202 | 2MCN2970-A202 | Plunger Cap |
| 203 | 2MCN2970-A203 | O-Ring |
| 204 | 2MCN3165-A205 | O-Ring |
| 205 | 2MCN2970-A205 | Valve Plunger |
| 206 | 2MCN3165-A206 | O-Ring |
| 207 | 2MCN2970-A207 | Spring |
| 208 | 2MCN2970-A208 | O-Ring |
| 209 | 2MCN2357-A209 | Plunger |
| 210 | 2MCN2970-A210 | Trigger Valve Head |
| 211 | 2MCN2970-A211 | Pin |
| 212 | 2MCN2970-A212 | Cover Plunger |
| 213 | 2MCN2970-A213 | O-Ring |
| 214 | 2MCN2970-A214 | O-Ring |
| 215 | 2MCN2550-A214 | Spring |
| 216 | 2MSN2213-A216 | Trigger Unit |
| 217 | 2MCN2357-A219 | Spiral Pins |
| 218 | 2MCN2970-A219 | Spring Pin |
| 301 | 2MSN2216-A301 | Gun Body Unit |
| 302 | 2MCN2970-A302 | O-Ring |
| 303 | 2MCN2970-A303 | End Cap |
| 304 | 2MCN3165-A304 | Dusty Cover |
| 305 | 2MCN3165-A305 | Air Plug |
| 401 | 2MSN2213-A401 | O-Ring |
| 402 | 2MSN2216-A402 | Nose Piece |
| 403 | 2MSN2213-A403 | Hex. Soc. Hd. Bolt |
| 404 | 2MSN2216-A404 | Steel Channel |
| 405 | 2MSN2213-A405 | Hex. Soc. Hd. Bolt |
| 406 | 2MSN2216-A406 | Guide |
| 407 | 2MSN2216-A407 | Rubber Pad |
| 408 | 2MSN2216-A408 | Magazine A |
| 409 | 2MCN2970-A101 | Hex. Soc. Hd. Bolt |
| 410 | 2MSN2213-A409 | Flat Washer |
| 411 | 2MSN2216-A411 | Seal |
| 412 | 2MCN2970-A442 | Bolt Cap |
| 413 | 2MSN2216-A413 | Positioning Sheet |
| 414 | 2MSN2213-A412 | Half Round Hd. Hex. Bolt |
| 415 | 2MSN2216-A415 | Spring Unit |
| 416 | 2MSN2216-A416 | Rolling Element |
| 417 | 2MSN2216-A417 | Pin |
| 418 | 2MSN2216-A418 | Pusher |
| 419 | 2MSN2216-A419 | Pusher Bearing |
| 420 | 2MCN3165-A431 | Bolt Cap |
| 421 | 2MSN2216-A421 | Latch Spring Bushing |
| 422 | 2MSN2213-A419 | Flat Washer |
| 423 | 2MSN2213-A420 | Hex. Soc. Hd. Bolt |
| 424 | 2MSN2213-A421 | Latch Spring |
| 425 | 2MSN2213-A422 | Washer |
| 426 | 2MSN2216-A426 | Latch |
| 427 | 2MSN2213-A424 | Feed Bumper |
| 428 | 2MSN2213-A425 | Feed Bumper Spacer |
| 429 | 2MSN2213-A426 | Hex. Soc. Hd. Bolt |
| 430 | 2MCN3165-A107 | Hex. Soc. Hd. Bolt |
| 431 | 2MSN2213-A427 | Magazine Spacer |
| 432 | 2MSN2213-A429 | Half Round Hd. Hex. Bolt |
| 433 | 2MSN2213-A430 | Protective Insert |
| 434 | 2MSN2213-A431 | Spring Cover |
| 435 | 2MCN2970-A425 | Safety Guide |
| 436 | 2MSN2213-A433 | Safety Rod |
| 437 | 2MSN2213-A434 | Safety Spring |
| 438 | 2MSN2213-A435 | Safety B |
| 439 | 2MSN2216-A439 | Safety A |
| 440 | 2MSN2210-A415 | Hex. Soc. Hd. Bolt |
| 441 | 2MSN2213-A438 | Feed Bumper |
| 442 | 2MSN2213-A439 | Rubber Pad |
| 443 | 2MSN2213-A440 | Second Handle Base Unit |
| 444 | 2MSN2213-A441 | Handle |
| 445 | 2MSN2213-A442 | Handle Grip |



195MSN22160A1_SN22160_210611_IV

Parti di ricambio - Spare parts

SN22.160

cod. 195MSN22160A1

Indice di modifica Upgrade number

A1

09040001