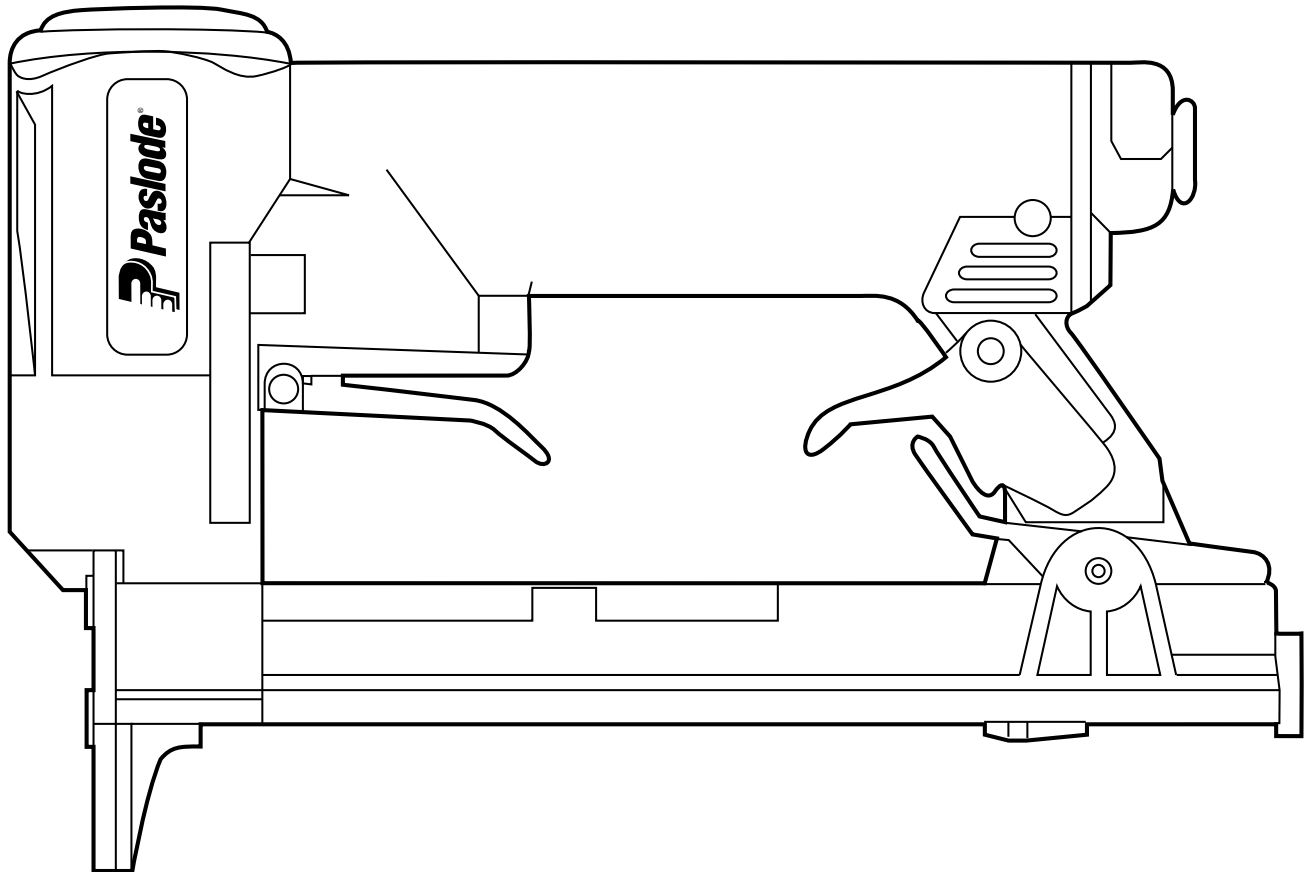




**MODEL 1000 SR Series
Staplers**



**Operating and
Maintenance Manual**

**IMPORTANT
DO NOT DESTROY**

It is the customer's responsibility to have all operators and service personnel read and understand this manual.

PARTS LEGEND

Narrow Crown	
1000-N30SR, 500017 Drives 30 gauge staples up to 3/4" in length. 5/32" crown size.	1000-N50SR, 500018 Drives 50 gauge staples up to 3/4" in length. 5/32" crown size.
Standard Crown	
1000-S30SR, 500019 Drives 30 gauge staples up to 5/8" in length. 9/32" crown size.	1000-S50SR, 500020 Drives 50 gauge staples up to 5/8" in length. 9/32" crown size.
Wide Crown	
1000-W30SR, 500021 Drives 30 gauge staples up to 5/8" in length. 1/2" crown size.	1000-W50SR, 500022 Drives 50 gauge staples up to 5/8" in length. 1/2" crown size.

1	500023	1	Cap	32	403922	1	Nut, Self Locking
2	403906	1	Cap Gasket	33	403910	1	Air Diffuser
3	500024	1	Sleeve Spacer	34	500028	1	Air Diffuser Retainer
4	403918	1	O-Ring, Piston	35	500083	1	End Plug
* 5	500241	1	Driver Blade (N30)	▲36	403927	4	S.H.C.S. M4 x 14
	500240	1	Driver Blade (N50)	37	403923	4	Lockwasher
	500242	1	Driver Blade (S30)	38	500046	1	Front Guide (N30)
	500243	1	Driver Blade (S50)		500048	1	Front Guide (N50)
	500244	1	Driver Blade (W30)		500052	1	Front Guide (S30)
	500245	1	Driver Blade (W50)		500054	1	Front Guide (S50)
* 6	403920	1	O-Ring, Upper		500058	1	Front Guide (W30)
7	500025	1	Sleeve		500060	1	Front Guide (W50)
* 8	403921	1	O-Ring	39	500027	1	Back Plate
* 9	403909	1	Bumper	**40	403960	1	Warning Label
10	500026	1	Housing	41	500050	1	Housing, Rail Assembly (N)
11	403962	2	Logo, Housing		500056	1	Housing, Rail Assembly (S)
*12	500041	3	O-Ring		500062	1	Housing, Rail Assembly (W)
*13	403917	2	O-Ring, Valve Piston	42	403901	1	Rail Stop (N)
14	500030	1	Valve Piston		403963	1	Rail Stop (S,W)
15	403966	1	Buffer	43	403959	1	Rail Latch (N,S)
16	500040	1	O-Ring, Valve Piston		403944	1	Rail Latch (W)
17	500031	1	Valve Stud	44	403908	1	Torsion Spring, Rail Latch
18	500032	1	Spring, Valve Pin	45	403936	1	Follower (N)
*19	500042	1	O-Ring, Valve Pin		403946	1	Follower (S)
20	500033	1	Valve Pin		403954	1	Follower (W)
*21	500034	1	Seat, Valve Pin	46	403935	1	Compression Spring,Follower(N)
22	500037	1	Trigger Pin		403945	1	Extension Spring,Follower (S,W)
23	500035	1	Trigger Plate	47	500049	1	Rail Assembly (N)
24	500038	1	Retainer, Trigger Pin		500055	1	Rail Assembly (S)
→ 25	500043	1	F.H.C.S. M4 x 12		500061	1	Rail Assembly (W)
26	500036	1	Trigger	48	403925	1	Spirol Pin (N)
27	500029	1	Valve Sleeve	49	403932	1	Guide Bar, Follower Spring(N)
*28	500039	1	O-Ring, Valve Sleeve	50	403964	2	Follower Insert (N)
29	500080	1	S.H.C.S. M5 x14	51	500246	1	Piston
30	403924	2	Spirol Pin	52	500247	1	Pin
31	403907	1	Quick Release Latch	→53	500763	1	O-Ring

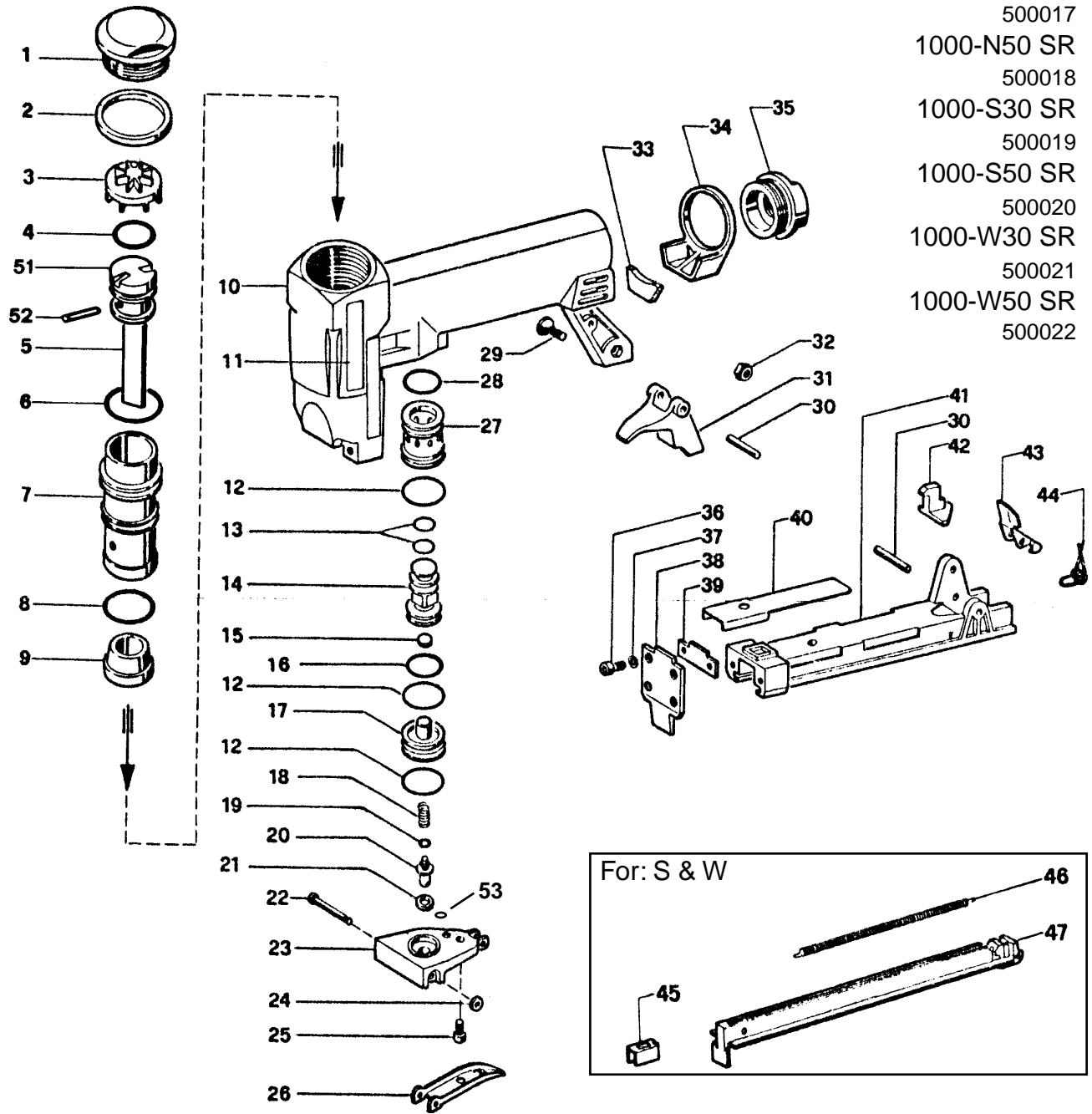
* Denotes Normal Wear Items

** Note: Make sure Warning Label (403960) is properly affixed.
Replace if necessary. Label available at no charge through the Service Dept.

▲ Apply loctite 242 (Blue) Part No. 093500

→ Denotes new change

1000-N30 SR
500017
1000-N50 SR
500018
1000-S30 SR
500019
1000-S50 SR
500020
1000-W30 SR
500021
1000-W50 SR
500022



⚠ WARNING
All parts must be periodically inspected and replaced if worn or broken. Failure to do this can affect the tool's operation and present a safety hazard.

