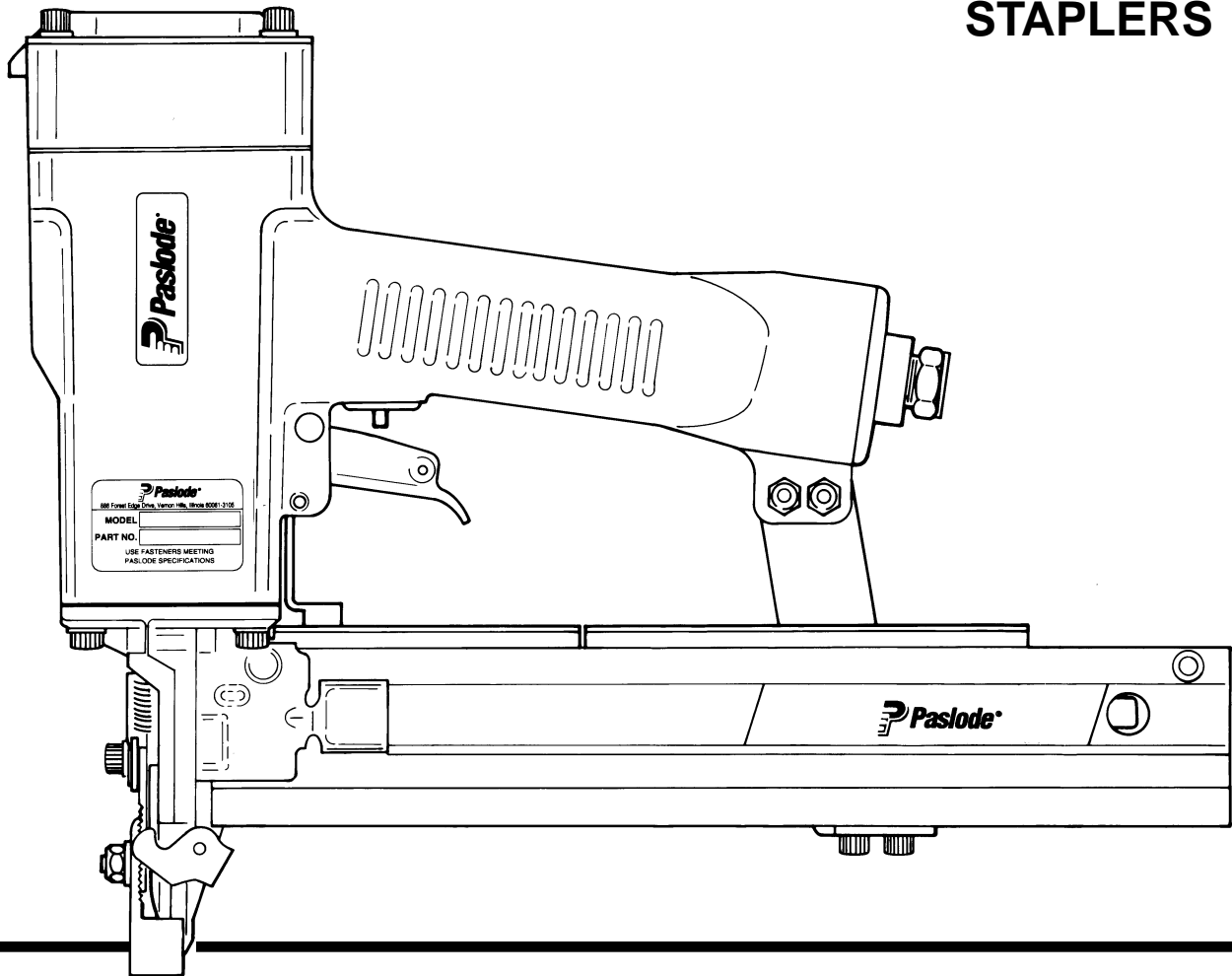




MODEL 3150/38 I16
MODEL 3200/50 I16P
MODEL 3150/38 I18
STAPLERS



TOOL SCHEMATIC AND PARTS

IMPORTANT!

DO NOT DESTROY

Always refer to safety and maintenance manuals #403606, #405218 and #405222 for detailed information on these tools. It is the customer's responsibility to have all operators and service personnel read and understand this information.

3150/38 I16, 404023
3200/50 I16P, 402999
3150/38 I18, 404265

PARTS LEGEND

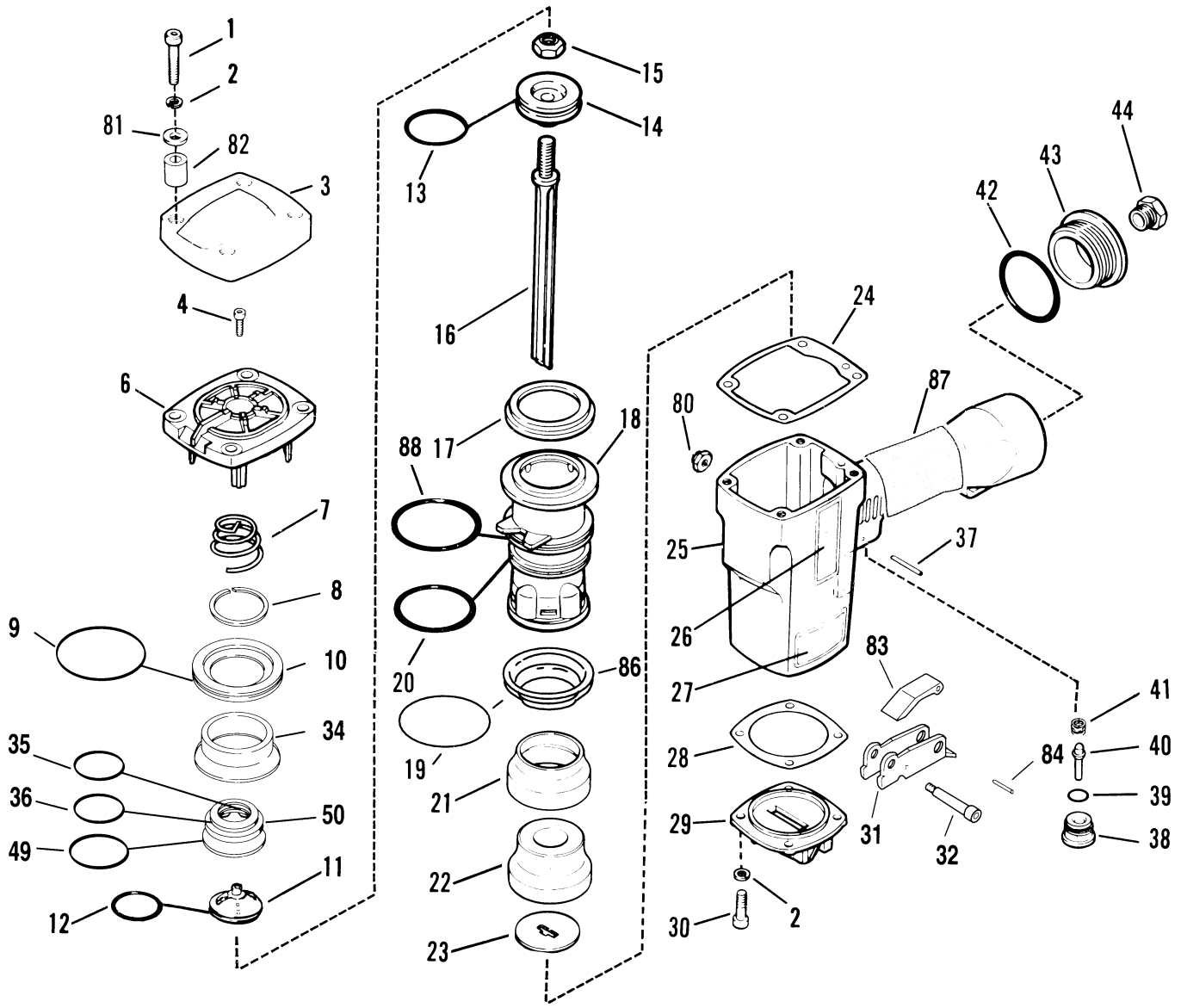
1	091362	4	Socket Head Capscrew, 1/4-20 x 1-1/2" (3150-I16 and I18)	▲ 43	401940	1	End Plug
	404229	4	Socket Head Capscrew, 1/4-20 x 2-1/4" (3200-I16P)	44	091622	1	Reducing Pipe Bushing
2	002187	4	Lock Washer, 1/4"	45	004502	4	Socket Head Capscrew, #10-32 x 5/8"
3	404242	1	Air Diffuser	46	092037	4	Lock Nut, #10-32
▲ 4	006310	1	Socket Head Capscrew, #6-32 x 1/2"	47	402741	1	Rail Bracket (3150/38 I16, I18)
→ 5	070545	1	Lock Washer	402781	1	Rail Bracket (3200/50 I16P)	
6	402704	1	Cap (3150/38 I16, I18)	▲ 48	004224	3	Socket Head Capscrew, #10 - 32 x 3/8"
	402705	1	Cap (3200/50 I16P)	*49	092773	1	"O" Ring
7	402717	1	Conical Spring	50	404056	1	Lower Valve Piston
8	404230	1	Retaining Ring	51	403716	2	Socket Head Capscrew #10-32 x 5/16"
*9	091537	1	"O" Ring, Main Valve Assembly	52	402629	2	Hardened Washer
10	404122	1	Upper Valve Piston	53	402794	1	Intermediate Work Contacting Element
11	404055	1	Post, Main Valve	*54	402738	1	Spring
*12	404256	1	"O" Ring, Main Valve Post	55	402736	1	Flat Washer, #10
*13	402723	1	"O" Ring, Piston	56	402793	1	Work Contacting Element (3150/38 I16, I18)
14	403563	1	Piston	403207	1	Work Contacting Element (3200/50 I16P)	
15	403582	1	Jam Nut	57	402792	1	Upper Work Contacting Element
*16	403725	1	Driver Blade (3150/38 I18)	*58	402734	1	Spring
	404021	1	Driver Blade (3150 I16)	59	403502	1	Front Guide (3150/38 I18)
	403726	1	Driver Blade (3200/50 I16P)	403851	1	Front Guide (3150/38 I16)	
17	402725	1	Seal, Sleeve	403458	1	Front Guide (3200/50 I16P)	
18	405245	1	Sleeve (3150/38 I16, I18)	60	404232	2	Socket Head Capscrew, #8-32 x 13/16"
	405246	1	Sleeve (3200/50 I16P)	61	404698	2	Roll Pin Assembly
*19	402728	1	"O" Ring, Sleeve	62	403503	1	Back Plate (3150/38 I18)
*20	402729	1	"O" Ring, Sleeve	403852	1	Back Plate (3150/38 I16)	
21	403854	1	Retainer, Bumper	403459	1	Back Plate (3200/50 I16P)	
*22	403853	1	Bumper	63	402730	1	Pivot Pin, Front Guide
23	403505	1	Seal, Driver Blade (3150/38 I18)	64	092176	1	Roll Pin, 5/32" Dia. x 1-3/8" Lg.
	402509	1	Seal, Driver Blade (3150/38 I16, 3200/50I16P)	65	405078	1	Spring, Front Guide Latch (3150/38 I16, I18)
*24	402707	1	Gasket, Cap	405079	1	Spring, Front Guide Latch (3200/50 I16P) (3200/50 I16P, I16PQ)	
25	402701	1	Housing	66	402789	1	Latch, Front Guide (3150/38 I16, I18)
26	404939	2	Logo, Housing (All Models)	403206	1	Latch, Front Guide (3200/50 I16P)	
→ 27	096893	1	Nameplate (3150/38 I16)	**67	500459	1	Warning Sign
	500694	1	Nameplate (3150/38 I18)	68	402748	1	Pivoting Rail Cover Assembly (3150/38 I16, I18)
	500693	1	Nameplate (3200/50 I16P)	402780	1	Pivoting Rail Cover Assembly (3200/50 I16P)	
28	402708	1	Gasket, Flange	69	403508	1	Rail and Rail Cover Assembly (3150/38 I16, I18)
29	402706	1	Flange	402518	1	Rail and Rail Cover Assembly (3200/50 I16P)	
▲ 30	009041	4	Socket Head Capscrew, 1/4-20 x 3/4"	70	402731	1	Logo, Rail
31	405144	1	Trigger	71	402740	2	Roll Pin, 3/32" Dia x 7/16" Lg.
32	402079	1	Pin, Trigger	72	402798	1	Latch, Follower Button
33	402668	1	Retaining Washer	73	402799	1	Spring, Follower Latch
34	404054	1	Seal Main Valve	74	402797	1	Retaining Bushing
*35	090927	1	"O" Ring	75	091568	1	Pan Head Screw, #6-32 x 1/4"
*36	092775	1	"O" Ring	*76	091532	1	Negator
37	026133	2	Roll Pin, 1/8" Dia. x 1" Lg.	77	091534	1	Drum, Negator
38	401958	1	Valve Body	78	402743	1	Pin, Negator Drum
*39	092174	1	"O" Ring, Valve Body	79	402516	1	Follower
40	097746	1	Valve Pin	80	404325	1	Stop Nut, #8-32
41	097748	1	Spring, Valve Pin	81	091447	4	Flat Washer
42	091591	1	"O" Ring, End Plug	82	404243	4	Spacer, Diffuser


* Denotes normal wear items.

** Make sure warning label (500459) is properly affixed. Replace if necessary. Label available at no charge through the Service Dept.

▲ Apply Loctite 242 (Blue) Part No. 093500

→ Denotes new change.

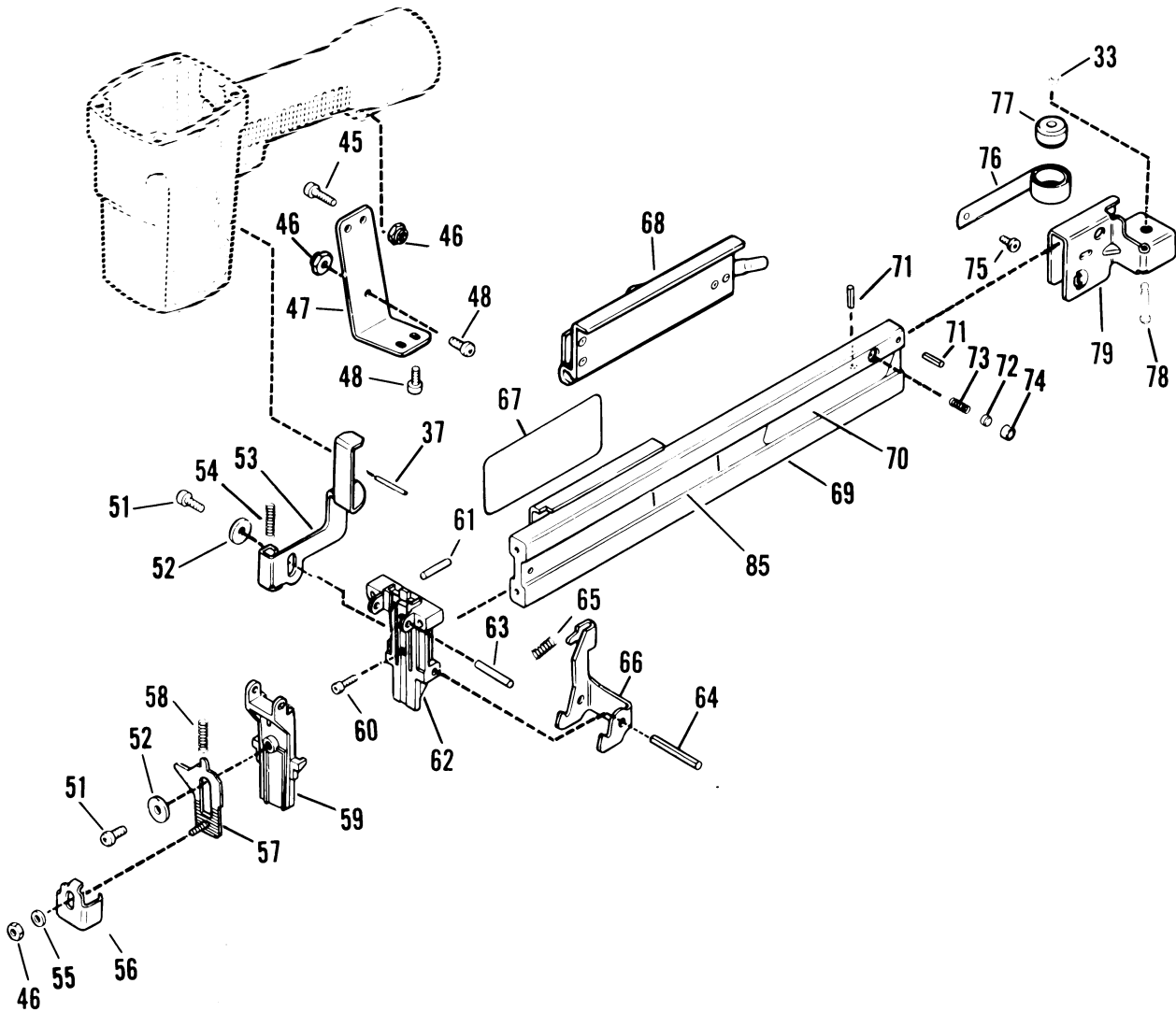



WARNING
 All parts must be periodically inspected and replaced if worn or broken. Failure to do this can affect the tool's operation and present a safety hazard.

PARTS LEGEND *Continued*

*76	091532	1	Negator	83	405147	1	Lever, Trigger
77	091534	1	Drum, Negator	84	005849	1	Roll Pin
78	402743	1	Pin, Negator Drum	85	405521	1	Fastener Label (3200/50 I16PQ)
79	402516	1	Follower		405522	1	Fastener Label (3150/38 I18Q)
80	404325	1	Stop Nut, #8-32	86	405243	1	Flange, Sleeve
81	091447	4	Flat Washer	87	500488	1	Grip Handle
82	404243	4	Spacer, Diffuser	88	091966	1	O-Ring

3150/38 I16
 404023
3200/50 I16P
 402999
3150/38 I18
 404265
3200/50 I16PQ
 404264 (EUROPE)
3150/38 I18Q
 404265X (EUROPE)



Note: Key 69, Rail and Rail Cover Assembly is supplied with keys 67, 70, 72, 73 and 74 assembled.

PARTS OFFERED AS ASSEMBLIES

403506 Piston Assembly (3150/38 I18)

404022 Piston Assembly (3150/38 I16)

402511 Piston Assembly (3200/50 I16)

Includes

13	402723	1	"O" Ring, Piston
14	403563	1	Piston
15	403582	1	Jam Nut
16	403725	1	Driver Blade (3150/38 I18)
	404021	1	Driver Blade (3150/38 I16)
	403726	1	Driver Blade (3200/50 I16P)

402709 Cap Assembly (3150/38 I16) (3150/38 I18)

Includes

4	006310	1	Socket Head Capscrew, #6-32 x 1/2"
6	402704	1	Cap
7	402717	1	Conical Spring
11	404055	1	Post, Main Valve
12	404256	1	"O" Ring, Main Valve Post
	404188	1	Main Valve Assembly

402710 Cap Assembly (3200/50 I16P)

Includes

4	006310	1	Socket Head Capscrew, #6-32 x 1/2"
6	402705	1	Cap
7	402717	1	Conical Spring
11	404055	1	Post, Main Valve
12	404256	1	"O" Ring, Main Valve Post
	404188	1	Main Valve Assembly

404188 Main Valve Assembly

Includes

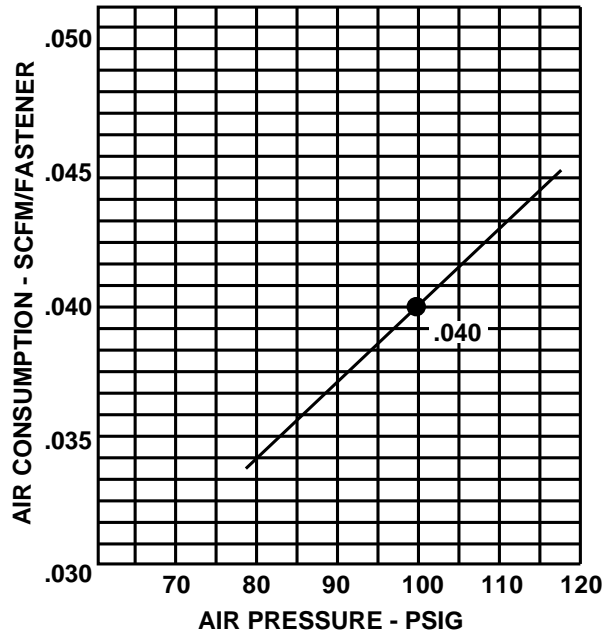
8	404230	1	Retaining Ring
*9	091537	1	"O" Ring, Upper Valve Piston
10	404122	1	Upper Valve Piston
34	404054	1	Seal, Main Valve
*35	090927	1	"O" Ring, Main Valve Assembly
*36	092775	1	"O" Ring, Main Valve Assembly
*49	092773	1	"O" Ring, Main Valve Assembly
50	404056	1	Lower Valve Piston

402408 Trigger Assembly

Includes

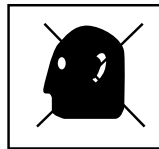
31	405144	1	Trigger
83	405147	1	Lever, Trigger
84	005849	1	Roll Pin

AIR CONSUMPTION CHART



SAFETY INSTRUCTIONS

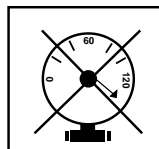
WEAR EYE AND HEARING PROTECTION



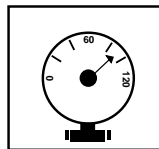
Always wear hearing protection and eye protection devices, including side shields when operating or working in the vicinity of a tool.



DO NOT EXCEED MAXIMUM RECOMMENDED AIR PRESSURE



Operate the tool using only the recommended air pressure. Do not exceed the maximum air pressure marked on the tool. Be sure the air pressure gauge is operating properly and check it at least twice a day.

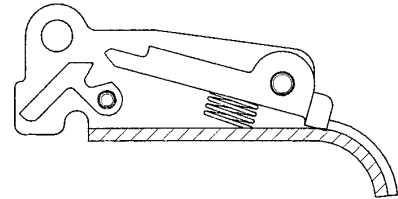


Never use any bottled air or gases such as oxygen to operate the tool since they could cause the tool to explode.

ACCESSORIES

Sequential Operating Kit

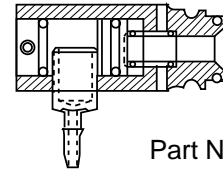
This special attachment is designed for sequential operation. The operator must depress and hold the work contacting element against the work surface before pulling the trigger. This sequence must be repeated each time the tool drives a fastener.



Part No. 406006

Remote Fire Valve

This valve via a positive air signal allows a machine mounted tool to be operated from an automatic air valve or foot pedal system.



Part No. 1X0713

Kit for No Sag Clip

This kit converts the 3150-I16, Part No. 404023, for the attachment of no sag clips onto furniture frames.

Part No. 1X1204

Lubricants and Loctite

Chemplex 710 Grease 1 lb.	Part No. 403734
Lubricating Oil 8 oz.	Part No. 219026
Lubricating Oil with Antifreeze	Part No. 219090
Loctite 242 (Blue) 1 oz.	Part No. 093500

Degreaser Cleaner

Ideal Cleaner for all Paslode Tools

Part No. 219086

Belt Hook

Attaches to cap of tool enabling you to carry tool on belt holder

Part No. 219017

Belt Hook Holder

Attaches to work belt and carries tool using the above belt hook

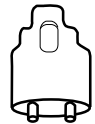
Part No. 219028

Safety Glasses

Clear	Part No. 402510
Tinted	Part No. 402512

Vinyl Siding Guide

Enables positive placement of staple leg in center of siding slot



3150 - Part No. 219050
3200 - Part No. 219051

Shortened Blade for Model 3150-I16 Tool

Intended for use with Kit for No Sag Clip, Part No. 1X1204 in applications where staple will also be applied directly over spring wire.

Part No. 1X1209

Quick Exhaust Piston For Series 3000 Tools

Intended to help reduce fastener "stair stepping" in selected applications.

Part No. 1X1363

Tool Repair Kit

Repairs all air leaks except for the trigger valve.

Part No. 219222

Trigger Valve Repair Kit

Repairs all trigger valve air leaks.

Part No. 219224