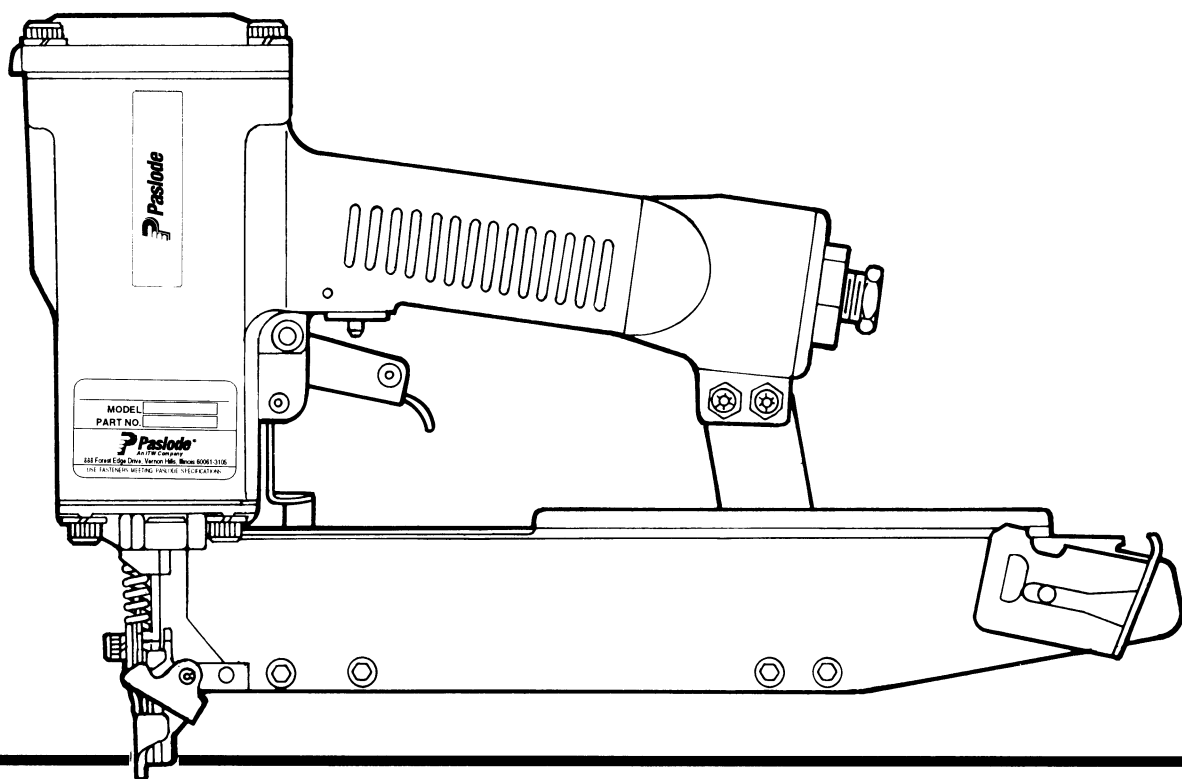




---

MODEL 3150/38 N18  
MODEL 3150/38 N18Q  
**STAPLERS**



---

## TOOL SCHEMATIC AND PARTS

**IMPORTANT!**  
**DO NOT DESTROY**

Always refer to safety and maintenance manual #403606 for detailed information on this tool. It is the customer's responsibility to have all operators and service personnel read and understand this information.

# 3150/38 N18, 403220

## PARTS LEGEND 3150/38 N18Q, 404253 (EUROPE)

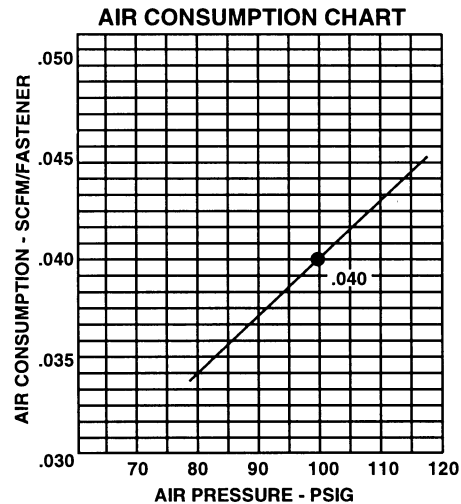
1	091362	4	Socket Head Capscrew, 1/4 - 20 x 1 - 1/2"	41	097748	1	Spring, Valve Pin
2	002187	8	Lock Washer, 1/4"	42	091591	1	"O" Ring, End Plug
3	404242	1	Air Diffuser	43	401940	1	End Plug
4	006310	1	Socket Head Capscrew, #6 - 32 x 1/2"	44	091622	1	Reducing Pipe Bushing
6	402704	1	Cap	45	004502	4	Socket Head Capscrew, #10 - 32 x 5/8"
7	402717	1	Conical Spring	46	092037	5	Lock Nut, #10 - 32
8	404230	1	Retaining Ring	47	403219	1	Rail Bracket
*9	091537	1	"O" Ring, Main Valve Assembly	48	004224	4	Socket Head Capscrew, #10 - 32 x 3/8"
10	404122	1	Upper Valve Piston	49	004238	2	Lock Washer, #10
11	404055	1	Post, Main Valve	50	402629	2	Hardened Washer
*12	404256	1	"O" Ring, Main Valve Post	51	402794	1	Intermediate Work Contacting Element
*13	402723	1	"O" Ring, Piston	*52	402738	1	Spring
14	403563	1	Piston	53	403379	1	Work Contacting Element
15	403582	1	Jam Nut	*54	402734	1	Spring
*16	403727	1	Driver Blade	55	403214	1	Front Guide
17	402725	1	Seal, Sleeve	56	404698	2	Roll Pin Assembly
18	405245	1	Sleeve	57	403213	1	Back Plate
*19	402728	1	"O" Ring, Sleeve	58	402730	1	Pivot Pin, Front Guide
*20	402729	1	"O" Ring, Sleeve	59	092178	1	Roll Pin, 5/32" Dia. x 1" Lg.
21	403854	1	Retainer, Bumper	60	405078	1	Spring, Front Guide Latch
*22	403853	1	Bumper	61	403215	1	Latch, Front Guide
23	403222	1	Seal, Driver Blade	**62	500459	1	Warning Sign
*24	402707	1	Gasket, Cap	63	403753	1	Rail Cover Assembly
25	402701	1	Housing	64	403218	1	Rail
26	404939	2	Logo, Housing	65	403376	1	Spacer, Rail Cover
27	096893	1	Nameplate (3150/38 N18)	66	403380	2	Spacer, Rail to Bracket
	405553	1	Nameplate (3150/38 N18Q)	67	403221	1	Follower
28	402708	1	Gasket, Flange	68	080326	2	Socket Head Capscrew, #10-32 x 1"
29	402706	1	Flange	69	009059	3	Socket Head Capscrew, #10 - 32 x 3/4"
▲ 30	091545	4	Socket Head Capscrew, 1/4 - 20 x 7/8"	70	403217	1	Extension Spring, Follower
31	405144	1	Trigger	71	091447	4	Flat Washer
32	402079	1	Pin, Trigger	72	404243	4	Spacer, Diffuser
33	404325	1	Stop Nut #8 - 32	*73	092773	1	"O" Ring
34	404054	1	Seal, Main Valve	74	404056	1	Lower Valve Piston
*35	090927	1	"O" Ring	75	405147	1	Lever, Trigger
*36	092775	1	"O" Ring	76	005849	1	Roll Pin
37	026133	2	Roll Pin, 1/8" Dia. x 1" Lg.	78	405520	1	Fastener Label (3150/38 N18Q)
38	401958	1	Valve Body	79	091966	1	O-Ring
39	092174	1	"O" Ring, Valve Body	80	405243	1	Flange
40	097746	1	Valve Pin	81	500488	1	Grip, Handle

\* Denotes normal wear items.

\*\* Make sure warning label (500457) is properly affixed. Replace if necessary. Label available at no charge through the Service Dept.

▲ Apply Loctite 242 (Blue) Part No. 093500

→ Denotes new change.

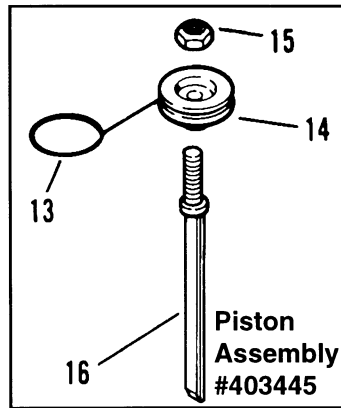
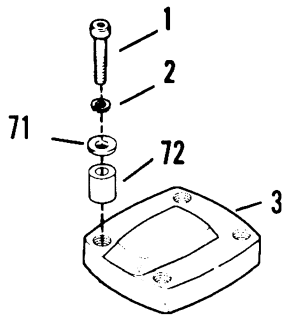


3150/38 N18

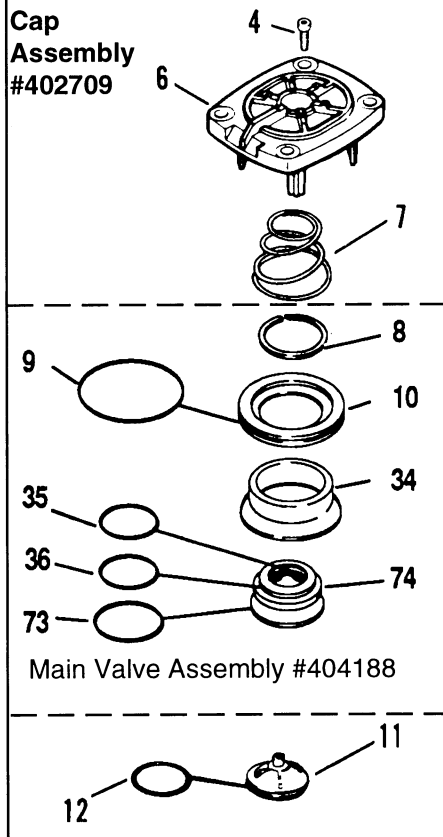
403220

3150/38 N18Q

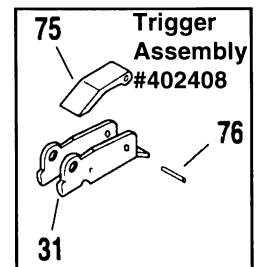
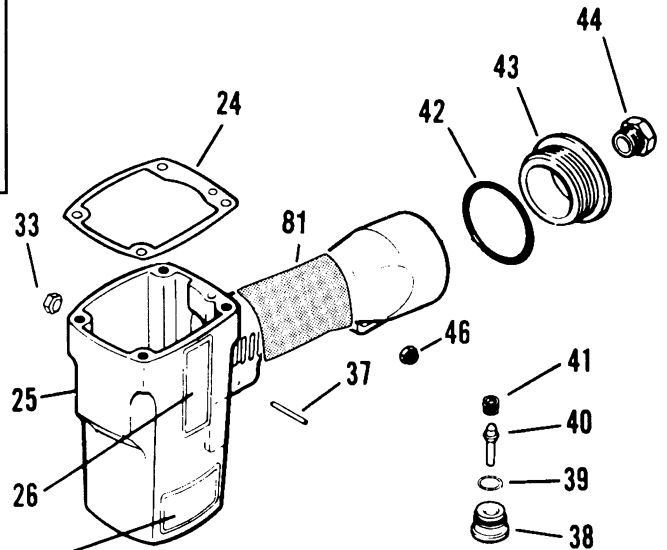
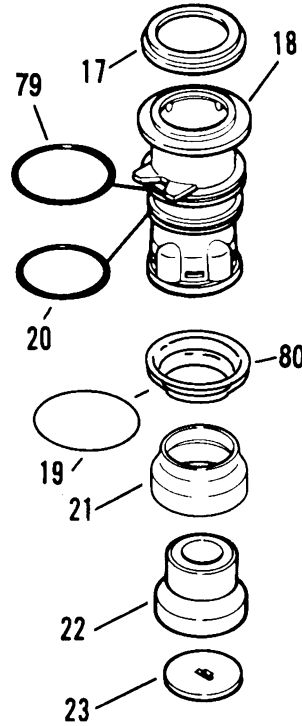
404253 (EUROPE)



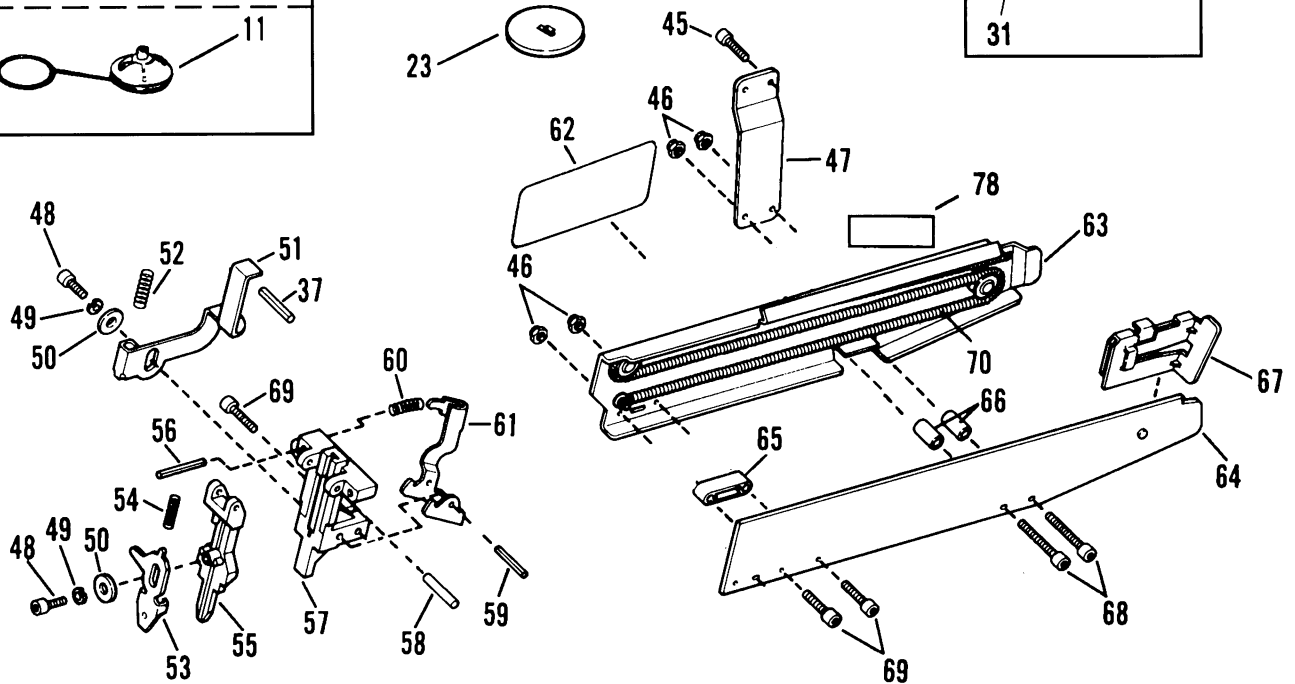
Cap Assembly #402709



Main Valve Assembly #404188



Trigger Assembly #402408



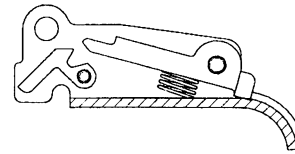
**Warning**

All parts must be periodically inspected and replaced if worn or broken. Failure to do this can affect the tool's operation and present a safety hazard.

# ACCESSORIES

## Sequential Operating Kit

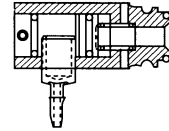
This special attachment is designed for sequential operation (stops "contact firing"). The operator must depress and hold the work contacting element against the work surface before pulling the trigger. This sequence must be repeated each time the tool drives a fastener.



Part No. 406006

## Remote Fire Valve

This valve via a positive air signal allows a machine mounted tool to be operated from an automatic air valve or foot pedal system.



Part No. 1x0713

## Tool Repair Kit

This kit repairs all air leaks except for trigger valve.

Part No. 219222

## Trigger Valve Repair Kit

This kit repairs all trigger valve air leaks.

Part No. 219224

## Lubricants and Loctite

Loctite 242 (Blue) 10

Part No. 093500

Lubricating Oil 8 oz.

Part No. 219026

Lubricating Oil with Antifreeze

Part No. 219090

Chemplex 710 Lubricant 1 lb.

Part No. 403734

## Degreaser Cleaner

Ideal Cleaner for all Paslode Tools

Part No. 219086

## Universal Belt Hook

Attaches to cap of tool enabling you to carry tool on belt holder

Part No. 219017

## Belt Hook Holder

Attaches to work belt and carries tool using the above belt hook

Part No. 219028

## Safety Glasses

Clear

Part No. 402510

Tinted

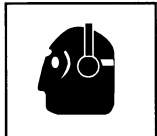
Part No. 402512

# SAFETY INSTRUCTIONS

## WEAR EYE AND HEARING PROTECTION

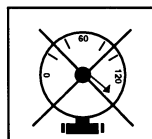


Always wear hearing protection and eye protection devices, including side shields when operating or working in the vicinity of a tool.



Never use any bottled air or gases such as oxygen to operate the tool since they could cause the tool to explode.

## DO NOT EXCEED MAXIMUM RECOMMENDED AIR PRESSURE



Operate the tool using only the recommended air pressure. Do not exceed the maximum air pressure marked on the tool. Be sure the air pressure gauge is operating properly and check it at least twice a day.

