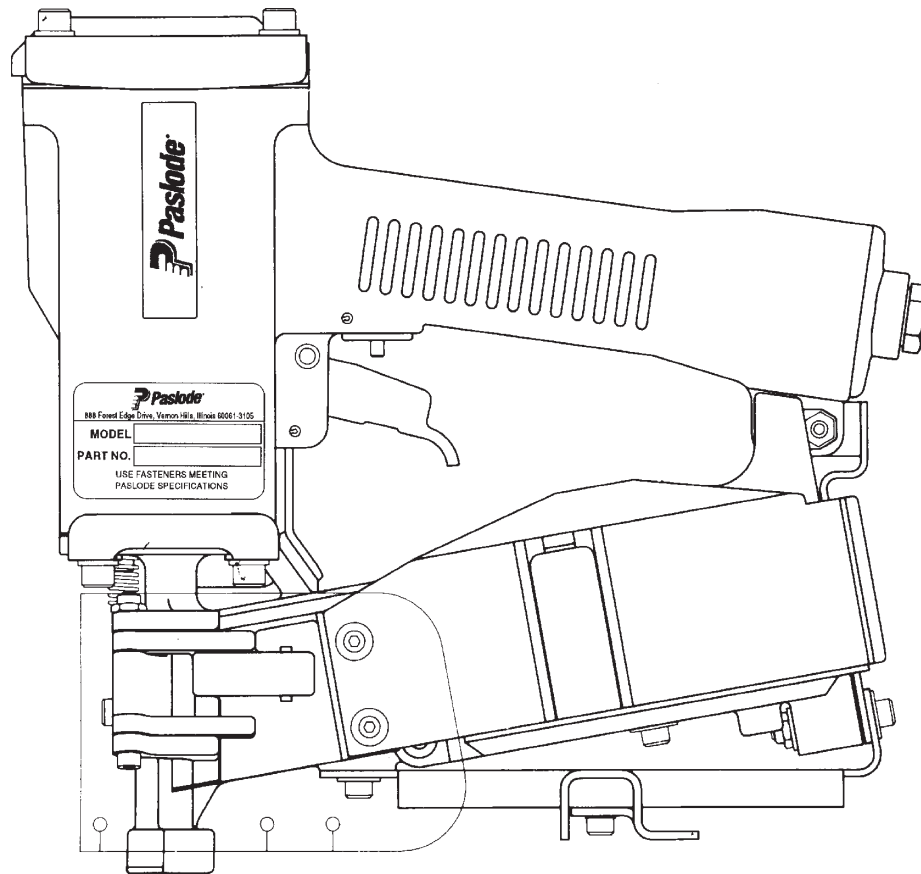




MODEL 3175RCU ROOFING COIL NAILER



TOOL SCHEMATIC AND PARTS

IMPORTANT! **DO NOT DESTROY**

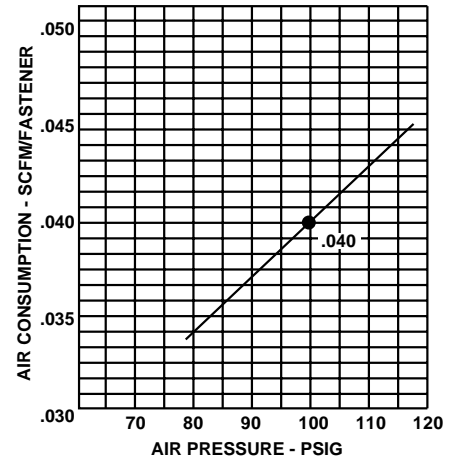
Always refer to safety and maintenance manual #403606 for detailed information on this tool. It is the customer's responsibility to have all operators and service personnel read and understand this information.

PARTS LEGEND 3175 RCU, 405000

1	092735	4	Socket Head Capscrew, 1/4-20 x 1-1/4"
2	091447	4	Flat Washer
3	402726	1	Air Diffuser
*4	402782	2	Wear Shield Cap
▲ 5	006310	1	Socket Head Capscrew, #6-32 x 1/2"
6	402728	1	"O" Ring
7	402704	1	Cap
8	402717	1	Conical Spring
9	404230	1	Retaining Ring
*10	091537	1	"O" Ring, Main Valve Assembly
11	404122	1	Upper Valve Piston
12	404055	1	Post, Main Valve
*13	404256	1	"O" Ring, Main Valve Post
*14	402723	1	"O" Ring, Piston
15	403582	1	Lock Nut, Gripco, 5/16-24
16	403563	1	Piston
*17	404001	1	Driver Blade
18	402725	1	Seal, Sleeve
19	405245	1	Sleeve
*20	091966	1	"O" Ring, Sleeve
*21	402729	1	"O" Ring, Sleeve
22	403854	1	Retaining Bumper
*23	403853	1	Bumper
24	402707	1	Gasket, Cap
25	402701	1	Housing
26	404939	2	Logo, Housing
→ 27	096893	1	Nameplate
28	402708	1	Gasket, Nose
29	405147	1	Lever, Trigger
30	405144	1	Trigger
31	500488	1	Grip, Handle
32	005849	1	Roll Pin
33	402079	1	Pin, Trigger
34	404325	1	Stop Nut
35	026133	2	Roll Pin, 1/8" Dia. x 1" Lg.
36	404017	1	Magazine Bracket
▲ 37	004502	4	Socket Head Capscrew, #10-32 x 5/8"
38	092037	9	Flexloc Nut, #10-32
39	097748	2	Spring
40	097746	1	Valve Pin
*41	092174	1	"O" Ring, Valve Body
42	401958	1	Valve Body
*43	091591	1	"O" Ring, End Plug
▲ 44	401940	1	End Plug
45	091622	1	Reducing End Plug
46	404007	1	Nose Assembly With Magnet
47	404106	1	Socket Head Capscrew, #10-32 x 2"
48	404091	2	Wear Shield, Nose
▲ 49	091545	4	Socket Head Capscrew, 1/4 - 20 x 7/8"
50	404012	1	Holdback Claw
51	404014	1	Door
52	404013	1	Front Guide
53	404663	1	Spring, Work Contacting Element
*54	402031	1	"O" Ring
55	405234	1	Piston, Feed Claw
*56	092709	1	"O" Ring
57	096815	1	Spring
58	403572	1	Bumper, Feed Claw Piston
59	405233	1	Piston Guide
60	403573	1	Retaining Ring
61	402486	1	Retaining Washer
▲ 62	009037	2	Socket Head Capscrew, #10-32 x 1/2"
63	402629	3	Hardened Washer, #10
64	404002	1	Grommet, Debris Shield
65	404003	1	Intermediate Work Contacting Element
66	402488	1	Pivot Pin, Feed Claw
67	402041	1	Torsion Spring, Feed Claw
68	405001	1	Feed Claw
69	404004	1	Work Contacting Element
**70	400658	1	Warning Label
71	404015	1	Cover, Magazine
*72	404092	2	Wear Shield, Magazine
*73	404093	1	Debris Shield
74	403579	1	Roll Pin, 1/16" Dia. x 1/2" Lg.
75	403568	1	Cap, Post
76	402071	1	Extension Spring, Post
77	403543	1	Nail Plate Assembly
78	404731	1	Center Post, Outer
79	403580	1	Retaining Ring
80	403556	1	Center Post, Inner
81	005849	2	Roll Pin, 1/8" x 11/16" Lg.
82	404016	1	Magazine
83	404303	1	Socket Head Capscrew, #10-32 x 1 1/4"
84	006057	3	Flat Washer, #10
85	006621	1	Socket Head Capscrew, #10 32 x 7/8"
86	404019	1	Nut, Shingle Guide
*87	404020	1	Shingle Guide
▲ 88	004224	3	Socket Head Capscrew, #10-32 x 3/8"
89	404018	1	Bracket, Shingle Guide
90	404361	1	Roll Pin, 1/8" Dia. x 1/2" Lg.
91	002187	4	Lock Washer, 1/4"
92	404054	1	Seal, Main Valve
*93	090927	1	"O" Ring, Main Valve
*94	092775	1	"O" Ring, Main Valve
*95	092773	1	"O" Ring, Main Valve
96	404056	1	Lower Valve Piston
97	404010	1	Magnet
98	405243	1	Flange, Sleeve

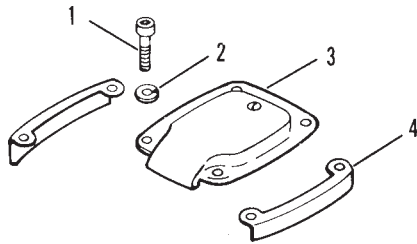
- ** NOTE: Make sure Warning Label (400658) is properly affixed.
 Replace if necessary. Label available at no charge through Service Department.
 * Denotes normal wear items
 ▲ Apply Loctite 242 (Blue) Part No. 093500
 → Denotes New Change

AIR CONSUMPTION CHART

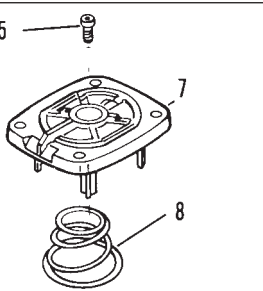


3175 RCU

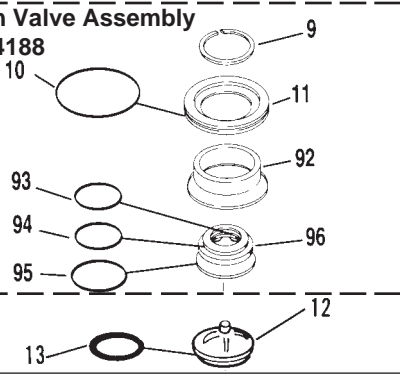
405000



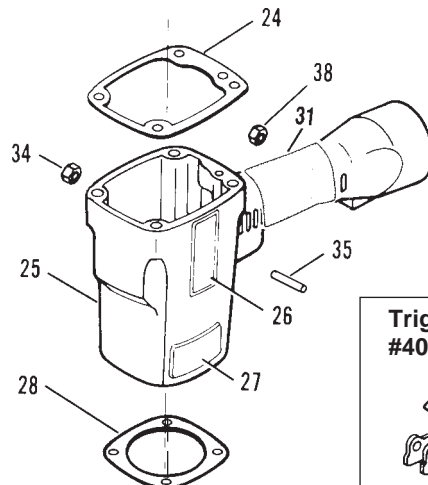
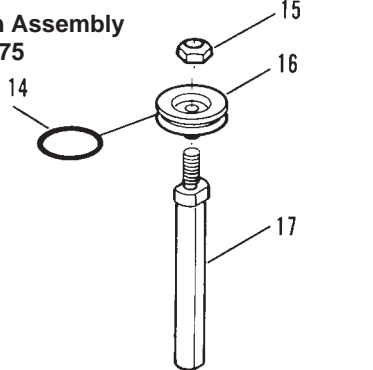
**Cap Assembly
#402709**



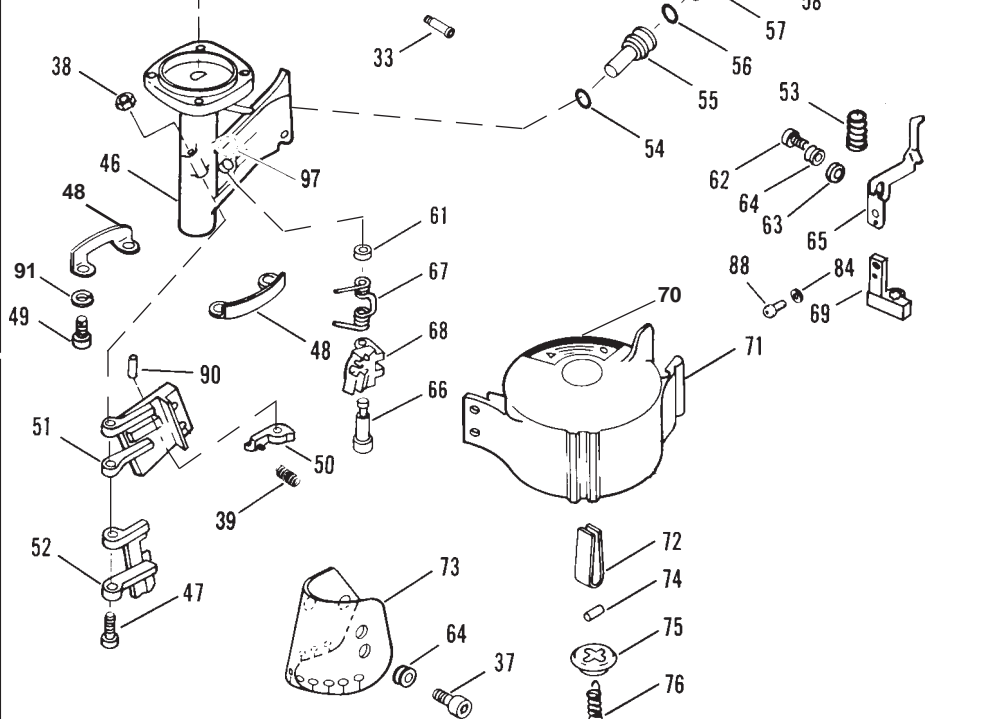
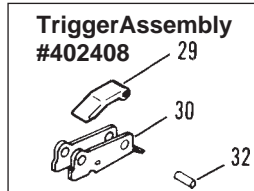
**Main Valve Assembly
#404188**



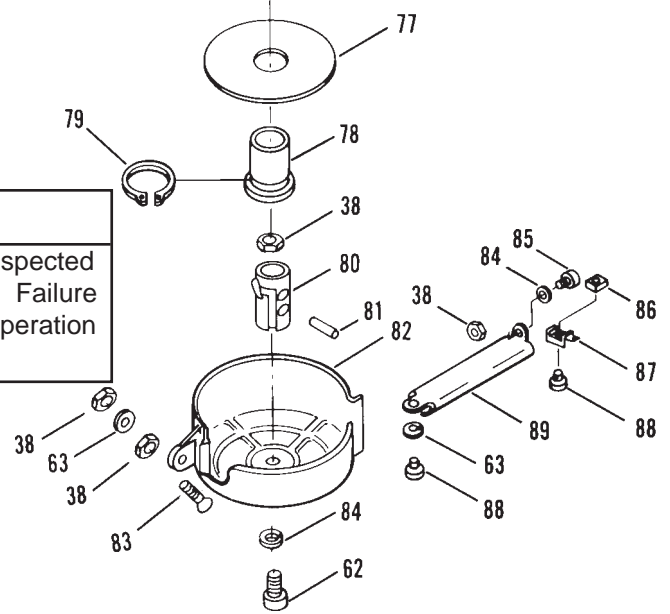
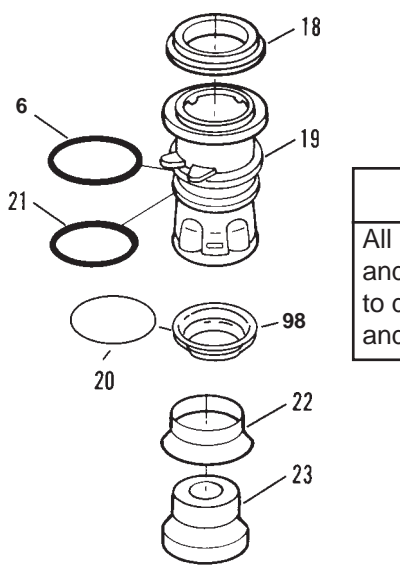
**Piston Assembly
#404275**



**Trigger Assembly
#402408**



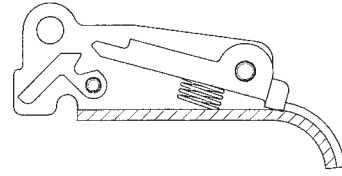
⚠ WARNING
All parts must be periodically inspected and replaced if worn or broken. Failure to do this can affect the tool's operation and present a safety hazard.



ACCESSORIES

Sequential Operating Kit

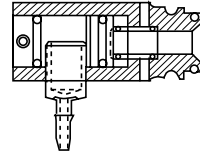
This special attachment is designed for sequential operation (stops "contact-firing"). The operator must depress and hold the work contacting element against the work surface before pulling the trigger. This sequence must be repeated each time the tool drives a fastener.



Part No. 406006

Remote Fire Valve

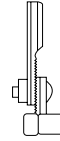
This valve via a positive air signal allows a machine mounted tool to be operated from an automatic air valve or foot pedal system.



Part No. 1x0713

Adjustable Work Contacting Element

This adjustable work contacting element has multiple settings to control the depth of drive.



Part No. 1X1374

Lubricants and Loctite

Chemplex 710 Lubricant (5 gram tube) Part No. 219188
 Chemplex 710 Lubricant (1 lb.) Part No. 403734
 Loctite 242 (Blue - 1 oz.) Part No. 093500
 → Lubricating Oil (16 oz.) Part No. 403720
 Lubricating Oil with Antifreeze (8 oz.) Part No. 219090

Safety Glasses

Clear Part No. 402510
 Tinted Part No. 402512

Tool Repair Kit

This kit repairs all air leaks except for the trigger valve. Part No. 219222

Degreaser Cleaner

Ideal cleaner for all Paslode tools. Part No. 219086

Trigger Valve Repair Kit

This kit repairs all trigger valve air leaks. Part No. 219224

Belt Hook

Attaches to cap of tool enabling you to carry tool on belt holder (offered below). Part No. 219017

Feeder Claw Repair Kit

This kit repairs nail feed problems. Part No. 219225

Belt Hook Holder

Attaches to work belt and carries tool using the above belt hook. Part No. 219028

→ Large Nylon Tool Bag

Soft-sided heavy duty nylon tool bag designed to fit & protect all Paslode tools - except 6000 series.

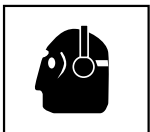
Part No. 219246

SAFETY INSTRUCTIONS

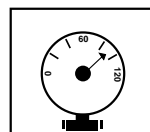
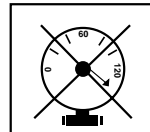
WEAR EYE AND HEARING PROTECTION



Always wear hearing protection and eye protection devices, including side shields when operating or working in the vicinity of a tool.



Never use any bottled air or gases such as oxygen to operate the tool since they could cause the tool to explode.



DO NOT EXCEED MAXIMUM RECOMMENDED AIR PRESSURE

Operate the tool using only the recommended air pressure. Do not exceed the maximum air pressure marked on the tool. Be sure the air pressure gauge is operating properly and check it at least twice a day.



An Illinois Tool Works Company
 888 Forest Edge Dr.
 Vernon Hills, Illinois 60061