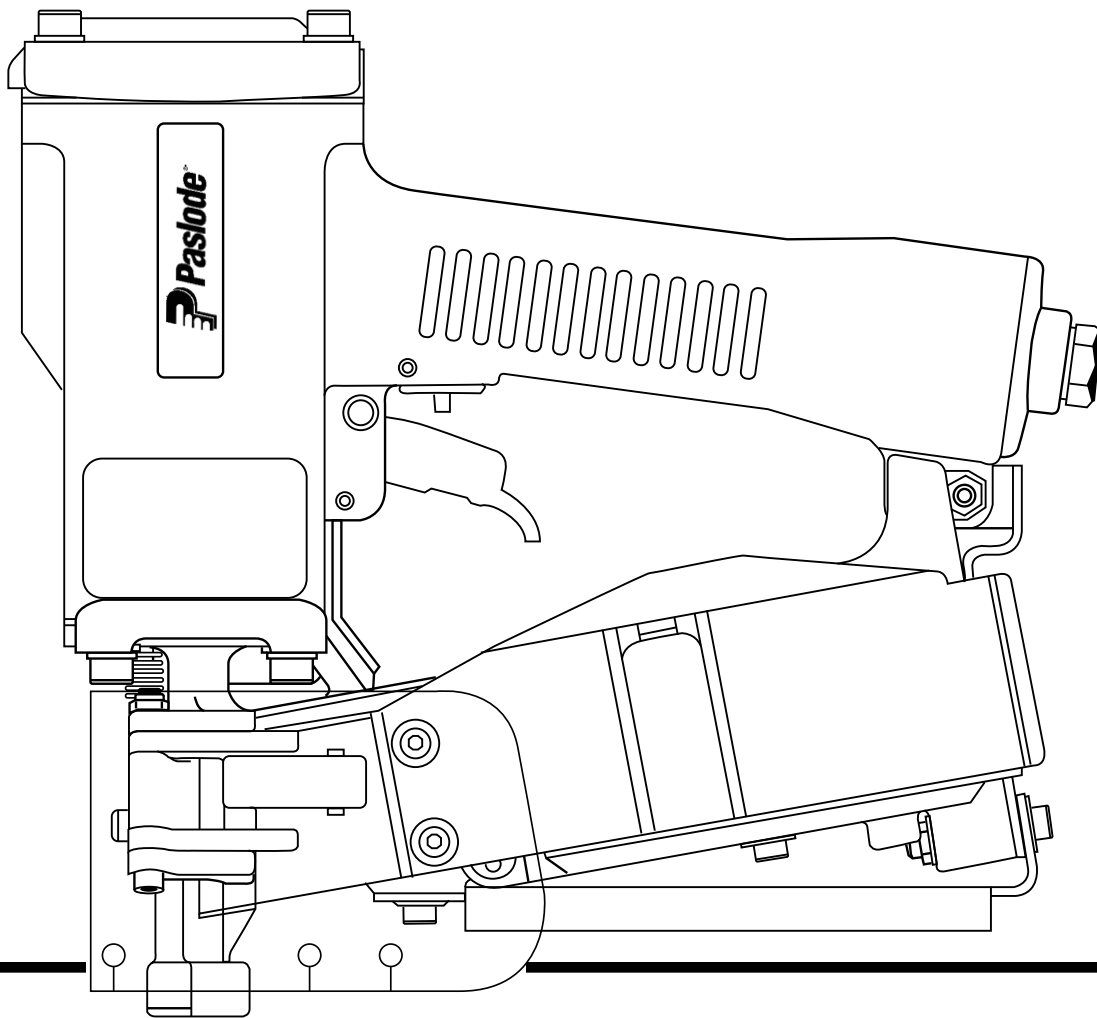




MODEL 3200/50-CP  
COIL NAILER



TOOL SCHEMATIC AND PARTS

**IMPORTANT!**

**DO NOT DESTROY**

Always refer to safety and maintenance manual #403606 for detailed information on this tool. It is the customer's responsibility to have all operators and service personnel read and understand this information.

# PARTS LEGEND 3200/50-CP, 500303

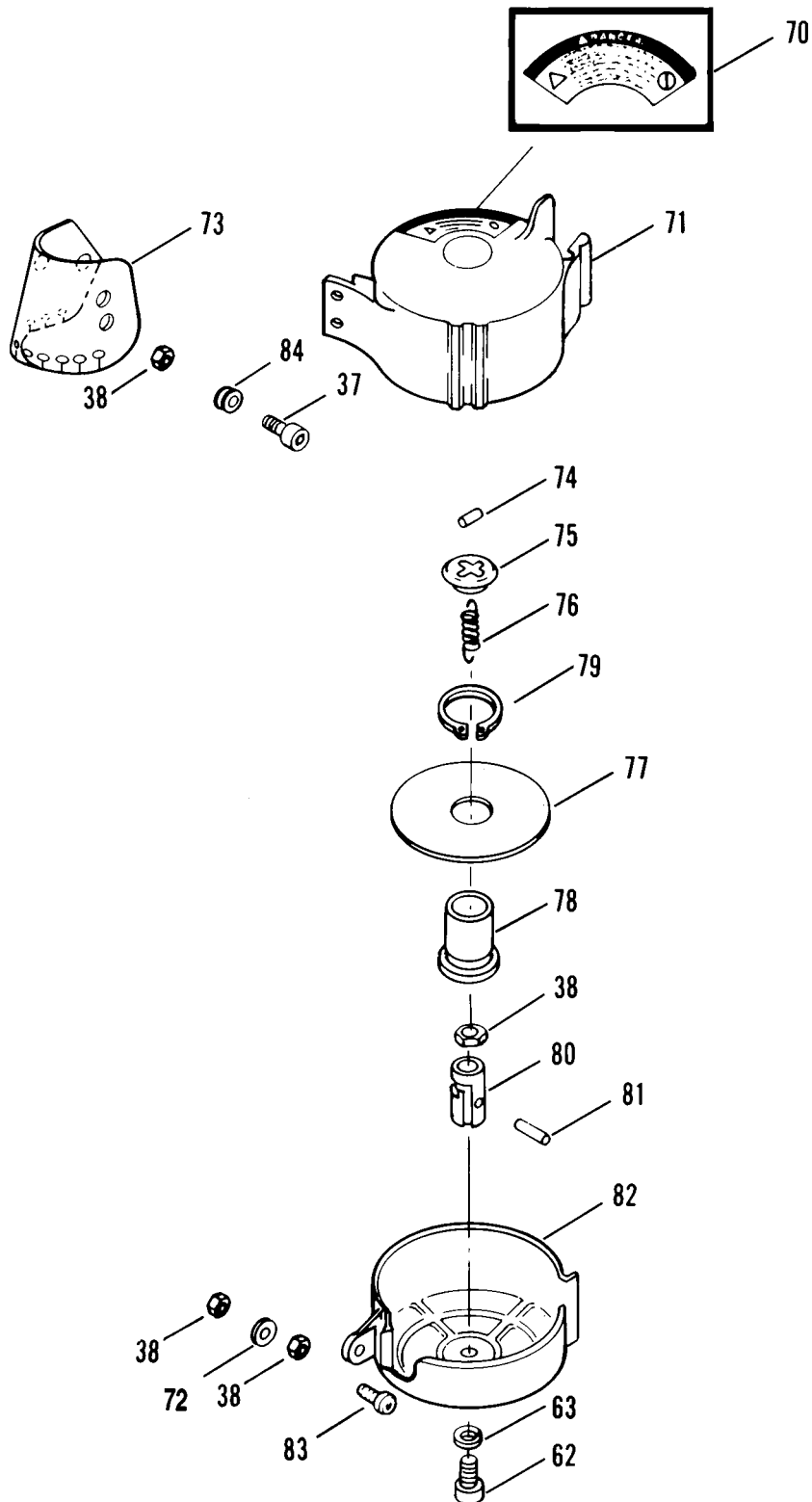
1	013567	4	Socket Head Capscrew, 1-1/4 x 2-1/2"
2	002187	4	Lock Washer, 1/4"
3	404242	1	Air Diffuser
4	091447	4	Washer
▲5	006310	1	Socket Head Capscrew, #6-32 x 1/2"
→ 7	500324	1	Cap With Setscrew
8	402717	1	Conical Spring
9	404230	1	Retaining Ring
*10	091537	1	"O" Ring, Main Valve Assembly
11	404122	1	Upper Valve Piston
12	404055	1	Post, Main Valve
*13	404256	1	"O" Ring, Main Valve Post
*14	402723	1	"O" Ring, Piston
15	403582	1	Lock Nut, Gripco, 5/16-24
16	403563	1	Piston
*17	403802	1	Driver Blade - Carbide tip
	500701	1	Driver Blade (Europe only)
18	402725	1	Seal, Sleeve
19	405245	1	Sleeve
*20	402728	1	"O" Ring, Sleeve
*21	402729	1	"O" Ring, Sleeve
22	403854	1	Retaining Bumper
*23	403853	1	Bumper
*24	500325	2	Gasket, Cap
25	402701	1	Housing
26	404939	2	Logo, Housing
27	500695	1	Nameplate
28	402708	1	Gasket, Nose
29	405147	1	Lever, Trigger
30	405144	1	Trigger
31	500488	1	Grip Handle
32	005849	1	Roll Pin
33	402079	1	Pin, Trigger
34	404325	1	Stop Nut
35	026133	2	Roll Pin, 1/8" Dia. x 1" Lg.
36	404017	1	Magazine Bracket
37	004502	4	Socket Head Capscrew, #10-32 x 5/8"
38	092037	8	Flexloc Nut, #10-32
39	097748	2	Spring, Valve Pin
40	097746	1	Valve Pin
*41	092174	1	"O" Ring, Valve Body
42	401958	1	Valve Body
43	091591	1	"O" Ring, End Plug
▲44	401940	1	End Plug
45	091622	1	Reducing End Plug
46	403808	1	Nose
47	404106	1	Socket Head Capscrew, #10-32 x 2"
48	404054	1	Seal, Main Valve
▲49	091545	4	Socket Head Capscrew, 1/4 - 20 x 7/8"
50	404012	1	Holdback Claw
51	403551	1	Door
52	403558	1	Locator
53	404663	1	Spring, Work Contacting Element
*54	402031	1	"O" Ring
55	405234	1	Piston, Feed Claw
*56	092709	1	"O" Ring
57	096815	1	Spring
58	403572	1	Bumper, Feed Claw Piston
59	405233	1	Piston Guide
60	403573	1	Retaining Ring
61	402486	1	Retaining Washer
▲ 62	009037	2	Socket Head Capscrew, #10-32 x 1/2"
63	006057	2	Flat Washer, #10
*64	090927	1	"O" Ring, Main Valve
65	403807	1	Work Contacting Element
66	402488	1	Pivot Pin, Feed Claw
*67	402041	1	Torsion Spring, Feed Claw
68	403557	1	Feed Claw
69	405243	1	Flange Sleeve
**70	400658	1	Warning Label
71	404015	1	Cover, Magazine
72	402629	2	Washer
*73	403806	1	Debris Shield
74	403579	1	Roll Pin, 1/16" Dia. x 1/2" Lg.
75	403568	1	Cap, Post
76	402071	1	Extension Spring, Post
77	403543	1	Nail Plate Assembly
78	404731	1	Center Post, Outer
79	403580	1	Retaining Ring
80	403556	1	Center Post, Inner
81	005849	1	Roll Pin, 1/8" x 11/16" Lg.
82	404016	1	Magazine
83	404303	1	Socket Head Capscrew, #10-32 x 1 1/4"
84	404002	3	Grommet
85	006621	1	Socket Head Capscrew, #10 32 x 7/8"
*86	092775	1	"O" Ring, Main Valve
87	500327	1	Cap Storage
88	404361	1	Roll Pin, 1/8" x 1/2" Lg.
89	404243	4	Spacer, Diffuser
*90	092773	1	"O" Ring, Main Valve
91	404056	1	Lower Valve Piston
93	091732	1	Flexloc Nut 10-32
94	091966	1	O-Ring
95	403295	1	Spring, Compression
96	091541	1	"O" Ring, Cap
97	500328	1	"O" Ring, Cap

▲ Apply Loctite 242 (Blue) Part No. 093500

\* Denotes normal wear items

\*\* NOTE: Make sure Warning Label (400658) is properly affixed. Replace if necessary. Label available at no charge through Service Department.

→ Denotes new change.



## WARNING

All parts must be periodically inspected and replaced if worn or broken. Failure to do this can affect the tool's operation and present a safety hazard.



## PARTS OFFERED AS ASSEMBLIES

### 402408 Trigger Assembly

Includes

29	405147	1	Lever, Trigger
30	405144	1	Trigger
32	005849	1	Roll Pin

### 404188 Main Valve Assembly

Includes

9	404230	1	Retaining Ring
*10	091537	1	"O" Ring, Main Valve Assembly
11	404122	1	Upper Valve Piston
48	404054	1	Seal, Main Valve
*64	090927	1	"O" Ring, Main Valve Assembly
*86	092775	1	"O" Ring, Main Valve Assembly
*90	092773	1	"O" Ring, Main Valve Assembly
91	404056	1	Lower Valve Piston

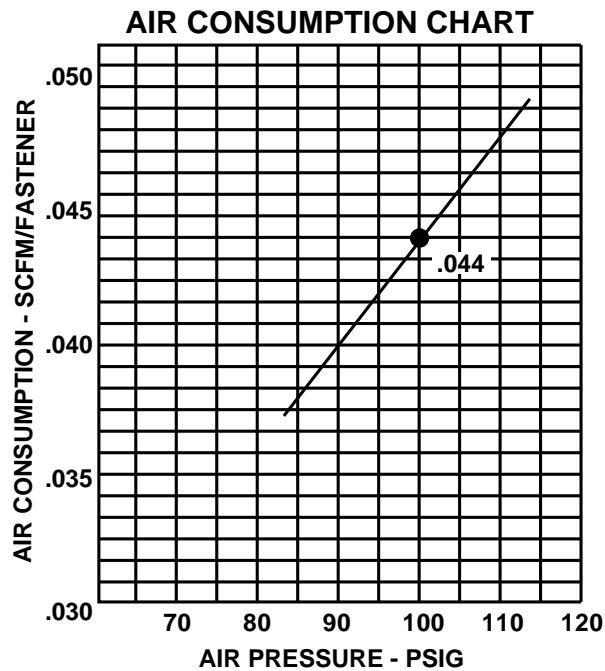
### 403804 Piston Assembly



### 500702 Piston Assembly (Europe Only)

Includes

*14	402723	1	"O" Ring, Piston
15	403582	1	Lock Nut, Gripco, 5/16-24
16	403563	1	Piston
*17	403802	1	Driver Blade
	500701	1	Driver Blade (Europe only)



## SAFETY INSTRUCTIONS

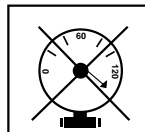
### WEAR EYE AND HEARING PROTECTION



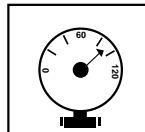
Always wear hearing protection and eye protection devices, including side shields when operating or working in the vicinity of a tool.



### DO NOT EXCEED MAXIMUM RECOMMENDED AIR PRESSURE



Operate the tool using only the recommended air pressure. Do not exceed the maximum air pressure marked on the tool. Be sure the air pressure gauge is operating properly and check it at least twice a day.

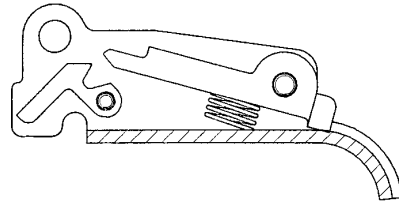


Never use any bottled air or gases such as oxygen to operate the tool since they could cause the tool to explode.

# ACCESSORIES

## Sequential Operating Kit

This special attachment is designed for sequential operation (stops "contact" firing). The operator must depress and hold the work contacting element against the work surface before pulling the trigger. This sequence must be repeated each time the tool drives a fastener.

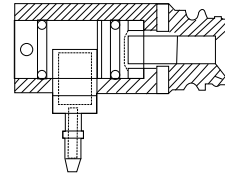


Part No. 406006

---

## Remote Fire Valve

This valve via a positive air signal allows a machine mounted tool to be operated from an automatic air valve or foot pedal system.



Part No. 1X0713

---

## Lubricants and Loctite

Chemplex 710 Lubricant 1 lb.

Part No. 403734

Loctite 242 (Blue) 1 oz.

Part No. 093500

Lubricating Oil 8 oz.

Part No. 219026

Lubricating Oil 8 oz. with Antifreeze

Part No. 219090

---

## Degreaser Safety Cleaner

Ideal cleaner for all Paslode tools.

Part No. 219086

---

## Universal Belt Hook

Attaches to cap of tool enabling you to carry tool on belt holder (offered below).

Part No. 219017

---

## Belt Hook Holder

Attaches to work belt and carries tool using the above belt hook.

Part No. 219028

---

## Safety Glasses

Clear

Part No. 402510

Tinted

Part No. 402512

---

## Large Carrying Case

Part No. 219034

---

## Power Pack Cap Kit

(Includes Key #'s: 1, 7, 24, 87, 96 and 97.)

Part No. 500300

---

## 3000 Series Tool Repair Kit

Repairs all air leaks except for the trigger valve.

Part No. 219222

