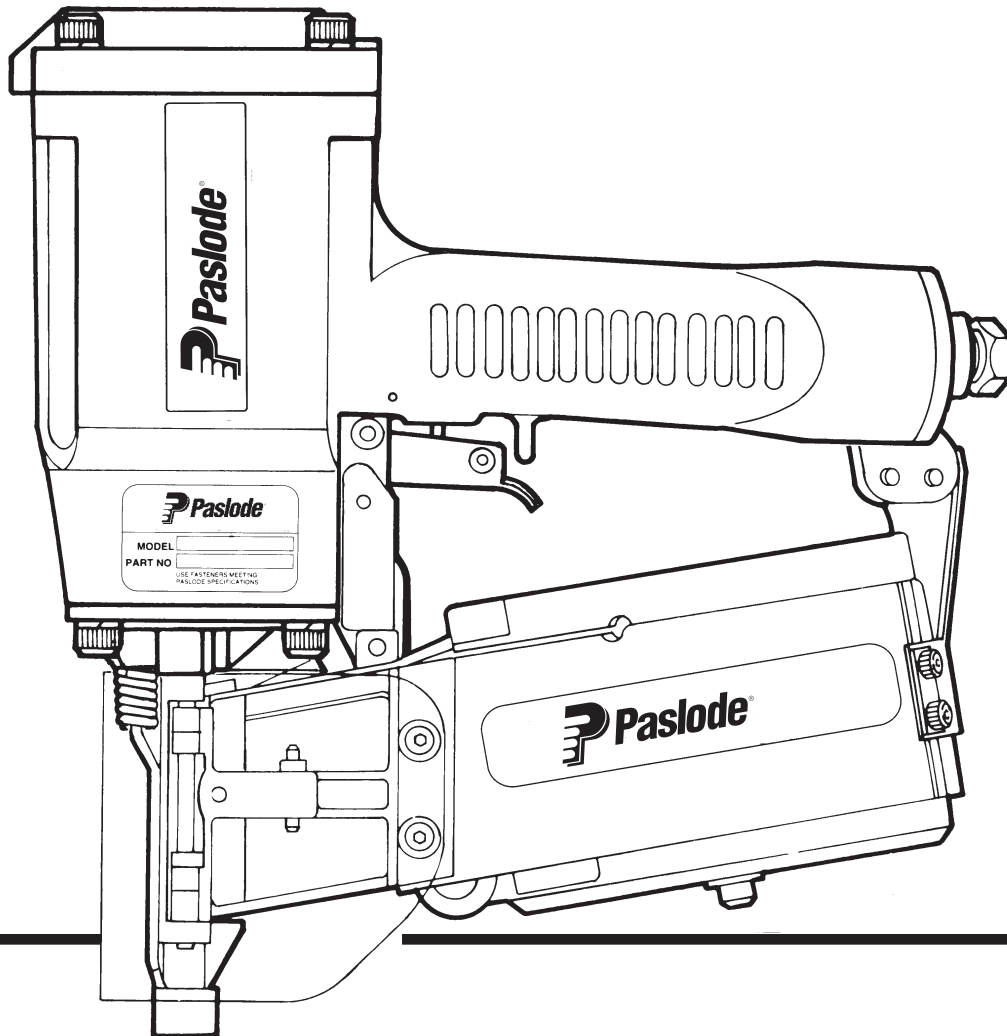




MODEL 4250/65CP-STL
COIL NAILER



TOOL SCHEMATIC AND PARTS

IMPORTANT!

DO NOT DESTROY

Always refer to safety and maintenance manual #403606 for detailed information on this tool. It is the customer's responsibility to have all operators and service personnel read and understand this information.

PARTS LEGEND

4250/65CP-STL, 403237

1	404229	4	Socket Head Capscrew, 1/4-20 x 2-1/4
2	002187	6	Lock Washer, 1/4"
*3	402978	1	Cap, Diffuser
4	091363	2	Flexloc Thin Nut, #8-32
5	091860	2	Flexloc Nut
*6	500011	1	Cap
*7	402955	1	Gasket, Cap
8	402959	1	Spring, Main Valve
9	500322	1	Retaining Ring
*10	402962	1	"O" Ring, Upper Valve Piston
11	402941	1	Upper Valve Piston
*12	092729	1	"O" Ring, Lower Valve Piston
*13	004163	1	"O" Ring, Lower Valve Piston
*14	402974	1	"O" Ring, Lower Valve Piston
15	500321	1	Lower Valve Piston
16	405211	1	Seal, Main Valve
*17	402963	1	"O" Ring, Main Valve Post
18	402944	1	Post, Main Valve
▲ 19	070502	1	Button Hd Socket Cap Screw, #8-32 x 1/2"
20	400196	1	Gripco Lock Nut, 3/8-24
21	095412	2	Washer, Driver Blade
*22	091539	1	"O" Ring, Piston
23	402951	1	Piston
▲ *24	402957	1	Driver Blade
25	402954	1	Seal, Sleeve
26	406012	1	Sleeve
*27	402961	1	"O" Ring, Sleeve
*28	091022	1	"O" Ring, Sleeve
*29	402973	1	Sleeve/Bumper
30	403762	1	Bumper
31	097748	1	Spring, Valve Pin
32	097746	1	Valve Pin
33	401958	1	Valve Body
*34	092174	1	"O" Ring, Valve Body
35	026133	1	Roll Pin, 1/8" Dia. x 1" Lg.
36	403771	1	Guard, Work Contacting Element
37	403796	1	Roll Pin, 1/8" Dia. x 1-1/4" Lg.
38	402926	1	Housing
39	402079	1	Pin, Trigger
40	405147	1	Lever, Trigger
41	405144	1	Trigger
42	402668	1	Retaining Ring
44	005849	1	Roll Pin
45	004502	1	Socket Head Capscrew, #10-32 x 5/8"
46	004238	4	Lock Washer, #10
47	404938	2	Logo, Housing
*48	091208	1	"O" Ring, Housing
49	402933	1	Flange, Nose
50	095417	4	Lock Washer, 5/16"
51	009016	4	Socket Head Capscrew, 5/16 - 18 x 1"
52	006787	2	Roll Pin, 3/16 Dia. x 1" Lg.
52A	401697	2	Roll Pin
53	092735	2	Socket Head Capscrew, 1/4-20 x 1-1/4"
54	406021	1	Nose
55	263239	1	Retaining Ring
56	402018	1	End Cap
57	402084	1	Bumper, Feed Claw Piston
58	402024	1	Spring
59	402038	1	Feed Claw Piston
*60	091541	1	"O" Ring, Feed Claw Piston
	091541	1	"O" Ring, Cylinder End Seal
61	402039	1	Cylinder End Seal
*62	402031	1	"O" Ring, Cylinder End Seal
63	402055	1	Feeder Body
64	402027	1	Air Feed Tube
*65	094295	1	"O" Ring, Housing
66	005562	1	Flat Socket Head Capscrew, 1/4-20 x 1"
*67	402041	1	Torsion Spring, Feed Claw
68	402486	1	Retaining Ring
69	402488	1	Pivot Pin, Feed Claw
70	406008	1	Feed Claw
71	402017	1	Hinge Pin, Door
72	402964	1	Spring, Work Contacting Element
73	009037	2	Socket Head Capscrew, #10-32 x 1/2"
74	008388	4	Flat Washer, #10
75	402666	1	Bushing
76	500476	1	Upper Work Contacting Element
77	091733	2	Flexlock Nut, 1/4-20
78	402486	1	Retaining Washer
79	402487	1	Pivot Pin, Holdback Claw
80	402037	1	Holdback Claw
81	402026	1	Spring, Holdback Claw
82	402053	1	Door
83	402461	1	Locator
84	096893	1	Nameplate
85	402659	2	Grommet
86	015298	2	Socket Head Capscrew, #8-32 x 5/8"
87	402939	1	Debris Shield
88	402066	1	Cover, Magazine
▲ 89	091613	2	Socket Head Capscrew, #8-32 x 3/8"
90	402081	1	Reinforcement Plate
91	402083	1	Latch Plate
92	402655	1	Logo, Magazine
93	402082	2	Nut Plate
94	500472	1	W.C.E. Tip Assembly
95	500471	1	Tip, Adjustable
96	406023	1	Tray Post
97	406024	1	Tray Spacer
98	406007	1	Logo
99	402075	1	Retaining Ring
100	402074	1	Nail Plate Assembly
101	406047	1	Outer Center Post
102	406010	1	Flange, Sleeve
103	402946	1	Bracket, Magazine
▲ 104	004224	2	Socket Head Capscrew, #10-32 x 3/8"
105	402089	2	Teenut

* Denotes normal wear items.

** Make sure warning label (500457) is properly affixed. Replace if necessary. Label available at no charge through the service department.

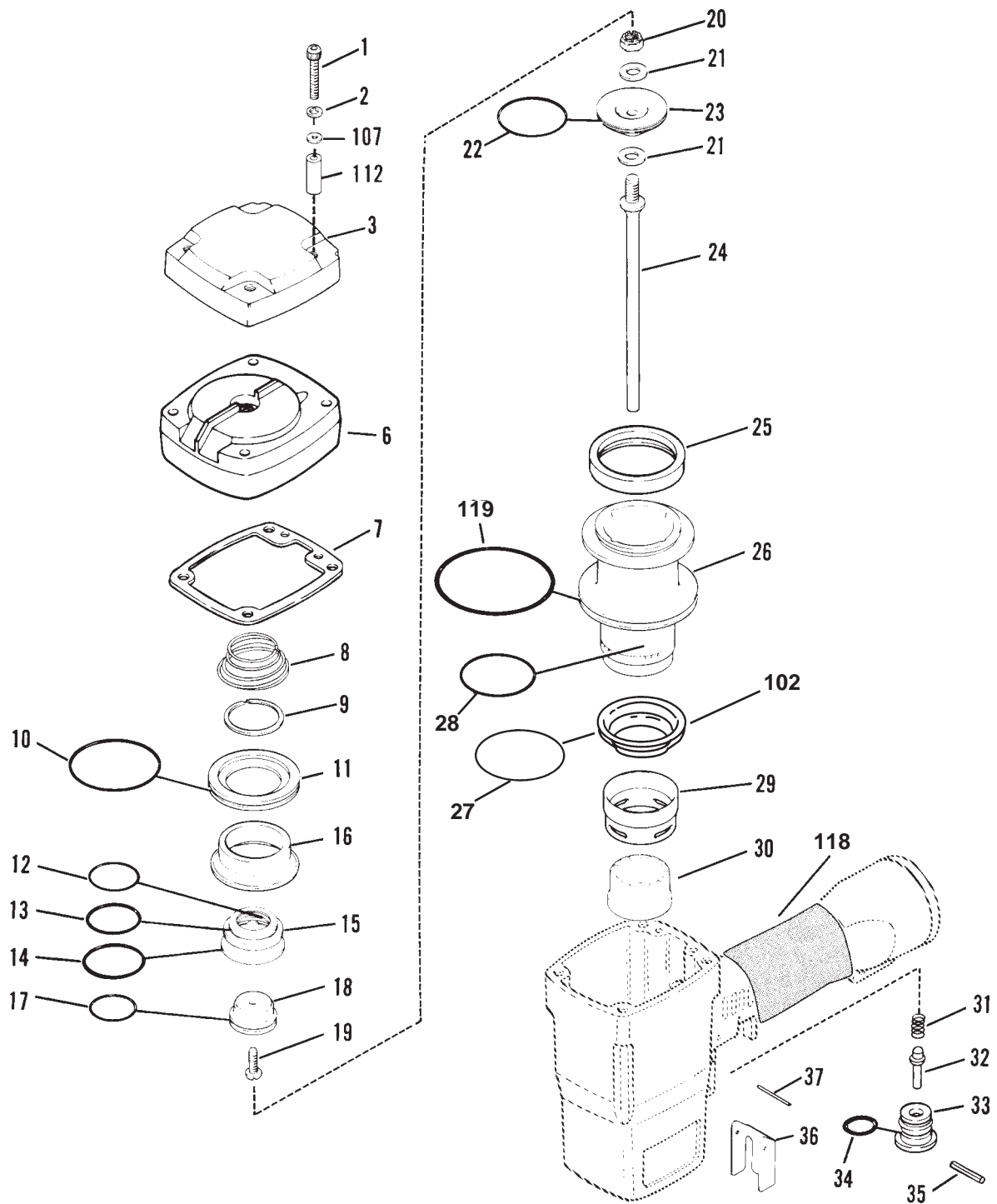
▲ Apply Loctite 242 (Blue) Part No. 093500

➔ Denotes new change



WARNING

All parts must be periodically inspected and replaced if worn or broken. Failure to do this can affect the tool's operation and present a safety hazard.

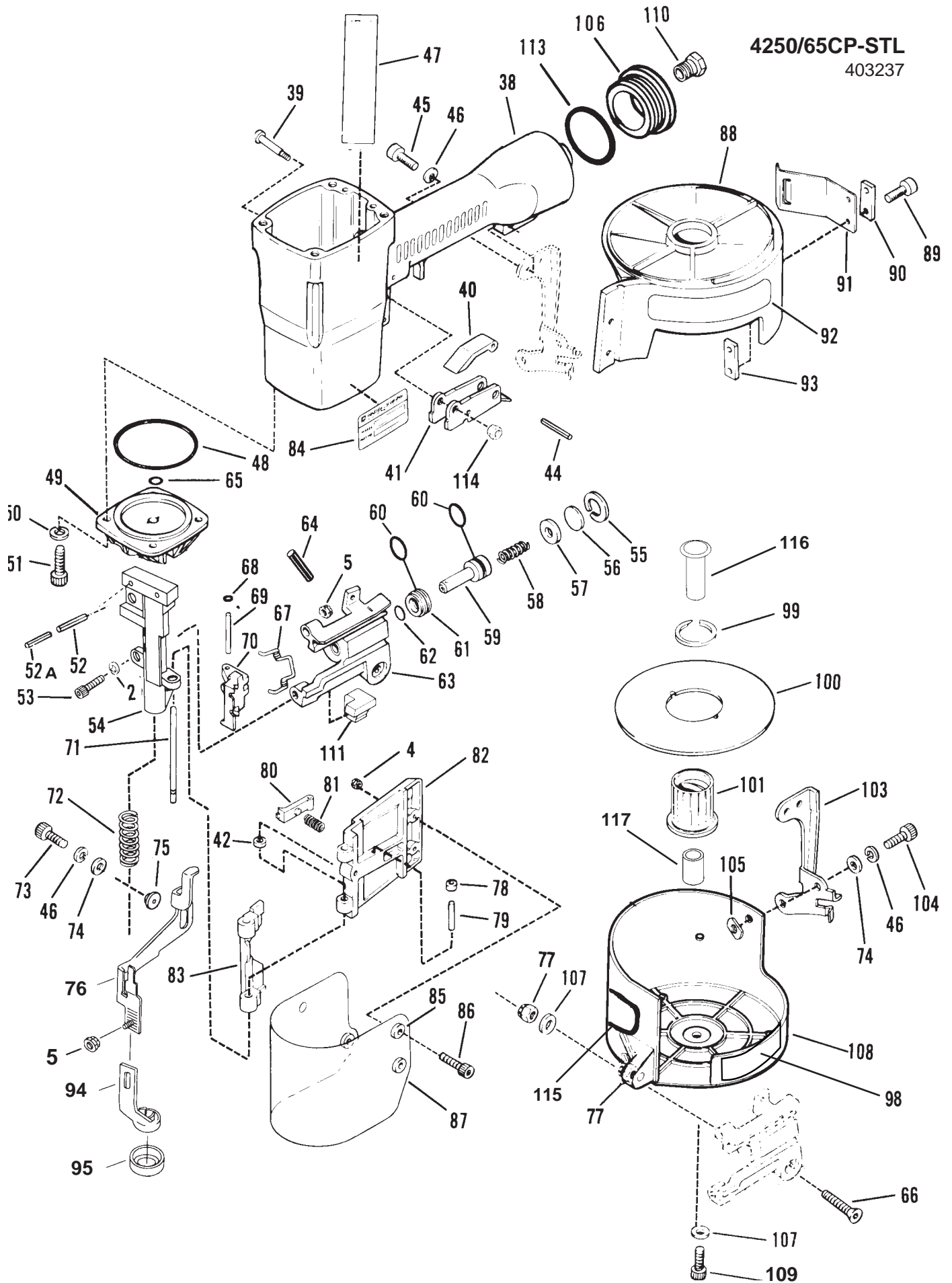


PARTS LEGEND - Continued

106	401940	1	End Plug	113	091591	1	"O" Ring
107	091447	6	Flat Washer, 1/4"	114	404325	1	Stop Nut
108	402063	1	Magazine, 2-1/2"	**115	500457	1	Warning Label
109	009041	1	Socket Head Capscrew, 1/4-20 x 3/4"	116	406023	1	Post
110	091622	1	Reducing Pipe Bushing, 1/4" x 3/8"	117	406024	1	Spacer
111	404313	1	Insert, Feeder Body	118	500488	1	Grip, Handle
112	402979	4	Spacer, Diffuser	119	401952	1	"O" Ring, Sleeve

4250/65CP-STL

403237



PARTS OFFERED AS ASSEMBLIES

403793 Piston Assembly

Includes

20	400196	1	Gripco Lock Nut, 3/8-24
21	095412	2	Washer, Driver Blade
22	091539	1	"O" Ring, Piston
23	402951	1	Piston
24	402957	1	Driver Blade

402940 Cap Assembly

Includes

6	500011	1	Cap
8	402959	1	Spring, Main Valve
9	500322	1	Retaining Ring
10	402962	1	"O" Ring, Upper Valve Piston
11	402941	1	Upper Valve Piston
12	092729	1	"O" Ring, Lower Valve Piston
13	004163	1	"O" Ring, Lower Valve Piston
14	402974	1	"O" Ring, Lower Valve Piston
15	500321	1	Lower Valve Piston
16	405211	1	Seal, Main Valve
17	402963	1	"O" Ring, Main Valve Post
18	402944	1	Post, Main Valve
19	070502	1	Button Hd Socket Cap Screw, #8-32 x 1/2

405212 Main Valve Assembly

Includes

9	500322	1	Retaining Ring
10	402962	1	"O" Ring, Main Valve Assembly
11	402941	1	Upper Valve Piston
12	092729	1	"O" Ring, Lower Valve Piston
13	004163	1	"O" Ring, Lower Valve Piston
14	402974	1	"O" Ring, Lower Valve Piston
15	500321	1	Lower Valve Piston
16	405211	1	Seal, Main Valve

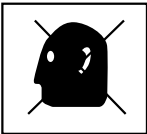
402408 Trigger Assembly

Includes

40	405147	1	Lever, Trigger
41	405144	1	Trigger
44	005849	1	Roll Pin

SAFETY INSTRUCTIONS

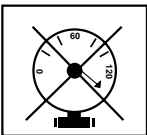
WEAR EYE AND HEARING PROTECTION



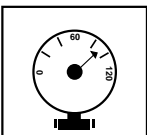
Always wear hearing protection and eye protection devices, including side shields when operating or working in the vicinity of a tool.



DO NOT EXCEED MAXIMUM RECOMMENDED AIR PRESSURE

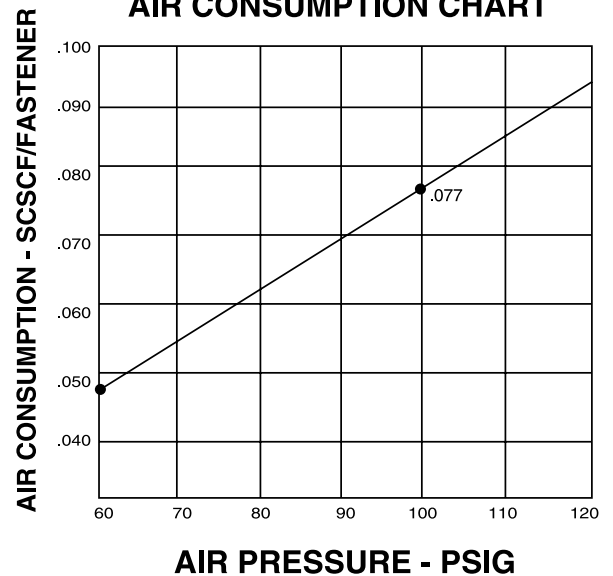


Operate the tool using only the recommended air pressure. Do not exceed the maximum air pressure marked on the tool. Be sure the air pressure gauge is operating properly and check it at least twice a day.



Never use any bottled air or gases such as oxygen to operate the tool since they could cause the tool to explode.

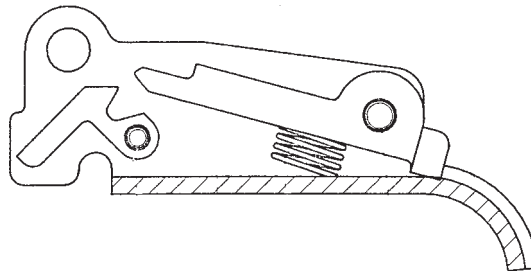
AIR CONSUMPTION CHART



ACCESSORIES

Sequential Operating Kit

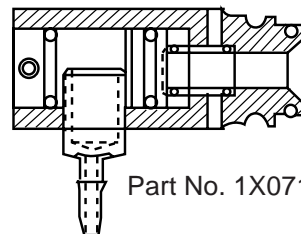
This special attachment is designed for sequential operation (stops "contact" firing). The operator must depress and hold the work contacting element against the work surface before pulling the trigger. This sequence must be repeated each time the tool drives a fastener.



Part No. 406006

Remote Fire Valve

This valve via a positive air signal allows a machine mounted tool to be operated from an automatic air valve or foot pedal system.



Part No. 1X0713

Lubricants and Loctite

- Chemplex 710 Lubricant 1 lb.
- Lubricating Oil 16 oz.
- Lubricating Oil 8 oz. with Antifreeze
- Loctite 242 (Blue) 1 oz.

Part No. 403734
Part No. 403720
Part No. 219090
Part No. 093500

Degreaser Cleaner

Ideal cleaner for all Paslode tools.

Part No. 219086

Belt Hook

Attaches to cap of tool enabling you to carry tool on belt holder (offered below).

Part No. 219017

Belt Hook Holder

Attaches to work belt and carries tool using the above belt hook.

Part No. 219028

Safety Glasses

- Clear
- Tinted



Part No. 402510
Part No. 402512

Trigger Valve Repair Kit

This kit repairs all trigger valve air leaks.

Part No. 219224



An Illinois Tool Works Company
888 Forest Edge Drive
Vernon Hills, Illinois 60061