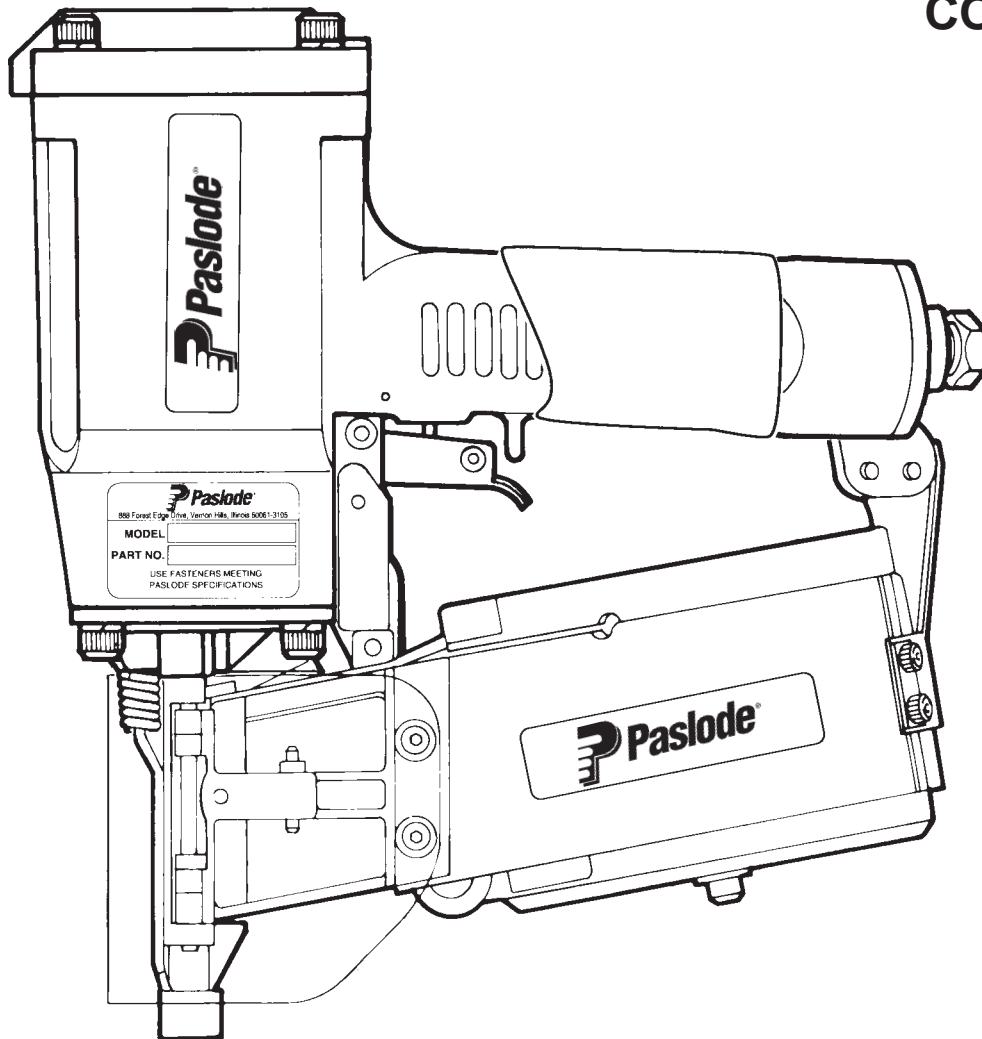




MODEL 4250/65 CPQ  
COIL NAILER



TOOL SCHEMATIC AND PARTS

**IMPORTANT!**

**DO NOT DESTROY**

Always refer to safety and maintenance manual #403606 for detailed information on this tool. It is the customer's responsibility to have all operators and service personnel read and understand this information.

# PARTS LEGEND 4250/65CPQ, 404262

1	404229	4	Socket Head Capscrew, 1/4-20 x 2-1/4"	52A	401697	2	Roll Pin
2	002187	6	Lock Washer, 1/4"	→▲53	092735	2	Socket Head Capscrew, 1/4-20 x 1-1/4"
*3	402978	1	Cap, Diffuser	54	402935	1	Nose
4	091363	2	Flexloc Thin Nut, #8-32	55	263239	1	Retaining Ring
5	091860	1	Flexloc Nut	56	402018	1	End Cap
6	500011	1	Cap	57	402084	1	Bumper, Feed Claw Piston
*7	402955	1	Gasket, Cap	58	402024	1	Spring
8	402959	1	Spring, Main Valve	59	402038	1	Feed Claw Piston
9	500322	1	Retaining Ring	*60	091541	1	"O" Ring, Feed Claw Piston
*10	402962	1	"O" Ring, Upper Valve Piston		091541	1	"O" Ring, Cylinder End Seal
11	402941	1	Upper Valve Piston	61	402039	1	Cylinder End Seal
*12	092729	1	"O" Ring, Lower Valve Piston	*62	402031	1	"O" Ring, Cylinder End Seal
*13	004163	1	"O" Ring, Lower Valve Piston	63	402055	1	Feeder Body
*14	402974	1	"O" Ring, Lower Valve Piston	64	402027	1	Air Feed Tube
15	500321	1	Lower Valve Piston	*65	094295	1	"O" Ring, Housing
16	405211	1	Seal, Main Valve	66	005562	1	Flat Socket Head Capscrew, 1/4-20 x 1"
*17	402963	1	"O" Ring, Main Valve Post	*67	402041	1	Torsion Spring, Feed Claw
18	402944	1	Post, Main Valve	68	402486	1	Retaining Ring
→ 19	070502	1	Button Head Socket Cap Screw, #8-32 x 1/2"	69	402488	1	Pivot Pin, Feed Claw
20	400196	1	Gripco Lock Nut, 3/8-24	70	404314	1	Feed Claw
21	095412	2	Washer, Driver Blade	71	402017	1	Hinge Pin, Door
*22	091539	1	"O" Ring, Piston	72	402964	1	Spring, Work Contacting Element
23	402951	1	Piston	73	009037	2	Socket Head Capscrew, #10-32 x 1/2"
▲*24	402957	1	Driver Blade	74	008388	4	Flat Washer, #10
25	402954	1	Seal, Sleeve	75	402666	1	Bushing
26	406012	1	Sleeve	76	402937	1	Work Contacting Element
*27	402961	1	"O" Ring, Flange	77	091733	3	Flexlock Nut, 1/4-20
*28	091022	1	"O" Ring, Sleeve	78	402486	1	Retaining Washer
*29	402973	1	Sleeve/Bumper	79	402487	1	Pivot Pin, Holdback Claw
30	403762	1	Bumper	80	402037	1	Holdback Claw
31	097748	1	Spring, Valve Pin	81	402026	1	Spring, Holdback Claw
32	097746	1	Valve Pin	82	402053	1	Door
33	401958	1	Valve Body	83	402461	1	Locator
*34	092174	1	"O" Ring, Valve Body	84	405553	1	Nameplate
35	026133	1	Roll Pin, 1/8" Dia. x 1" Lg.	85	402659	2	Grommet
36	403771	1	Guard, Work Contacting Element	86	015298	2	Socket Head Capscrew, #8-32 x 5/8"
37	403796	1	Roll Pin, 1/8" Dia. x 1-1/4" Lg.	87	402939	1	Debris Shield
38	402926	1	Housing	88	402066	1	Cover, Magazine
39	402079	1	Pin, Trigger	→ 89	091613	2	Socket Head Capscrew, #8-32 x 3/8"
40	405147	1	Lever, Trigger	90	402081	1	Reinforcement Plate
41	405144	1	Trigger	91	402083	1	Latch Plate
42	402668	1	Retaining Ring	92	405526	1	Fastener Label
43	500488	1	Grip, Handle	93	402082	2	Nut Plate
44	005849	1	Roll Pin	94	091866	2	Roll Pin, 1/16" Dia. x 3/4" Lg.
45	004502	1	Socket Head Capscrew, #10-32 x 5/8"	95	403296	1	Cap, Post
46	004238	4	Lock Washer, #10	96	402071	1	Extension Spring, Post
47	405117	2	Logo, Housing	97	406046	1	Inner Center Post
*48	091208	1	"O" Ring, Housing	98	401952	1	O-Ring, Sleeve
49	402933	1	Flange, Nose	99	402075	1	Retaining Ring
50	095417	4	Lock Washer, 5/16"	100	402074	1	Nail Plate Assembly
51	009016	4	Socket Head Capscrew, 5/16 - 18 x 1"	101	406047	1	Outer Center Post
52	006787	2	Roll Pin, 3/16 Dia. x 1" Lg.	102	402905	1	Label
				103	402946	1	Bracket, Magazine

\* Denotes normal wear items.

\*\* Make sure warning label (500457) is properly affixed. Replace if necessary. Label available at no charge through the service department.

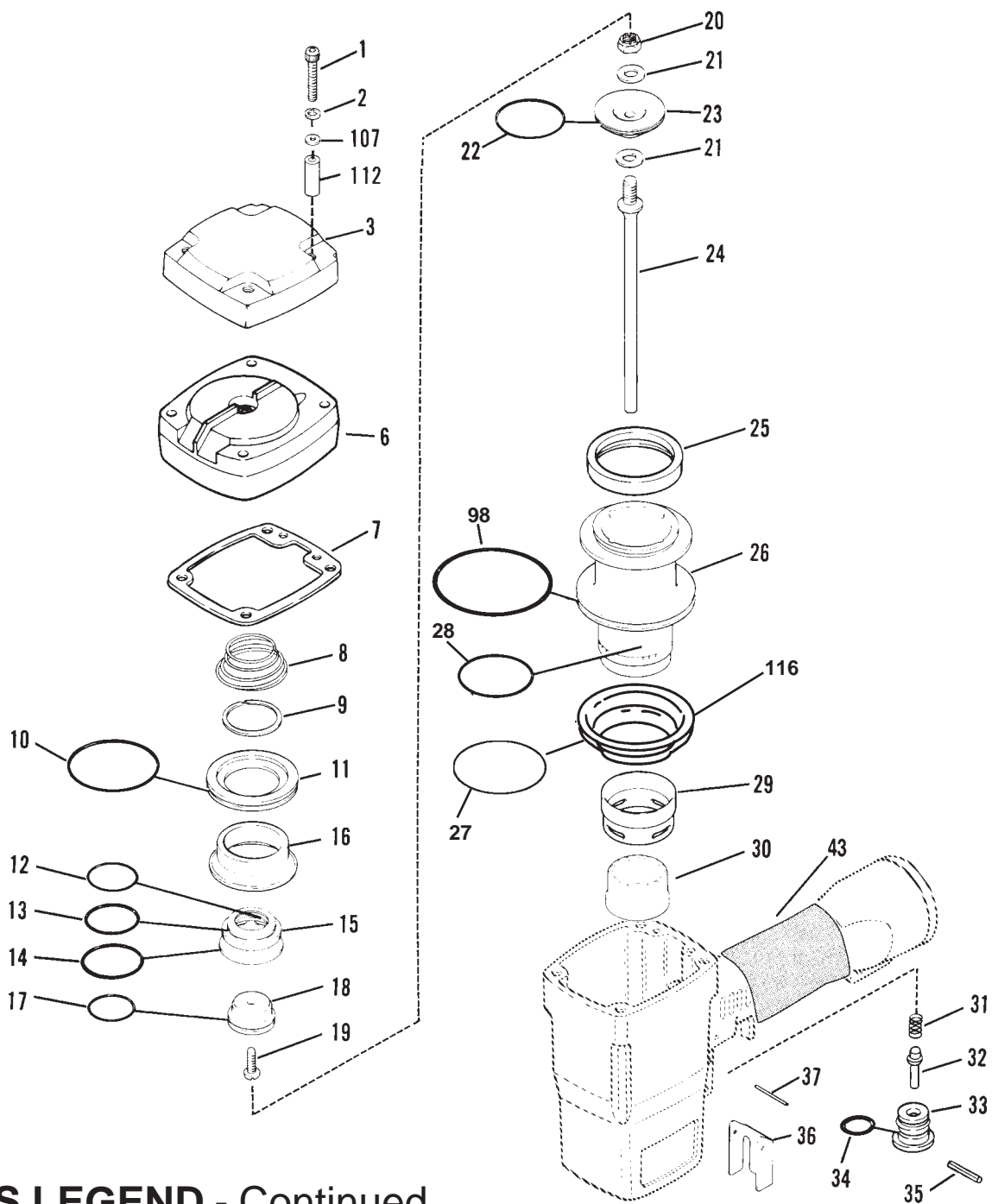
▲ Apply Loctite 242 (Blue) Part No. 093500

→ Denotes new change



## WARNING

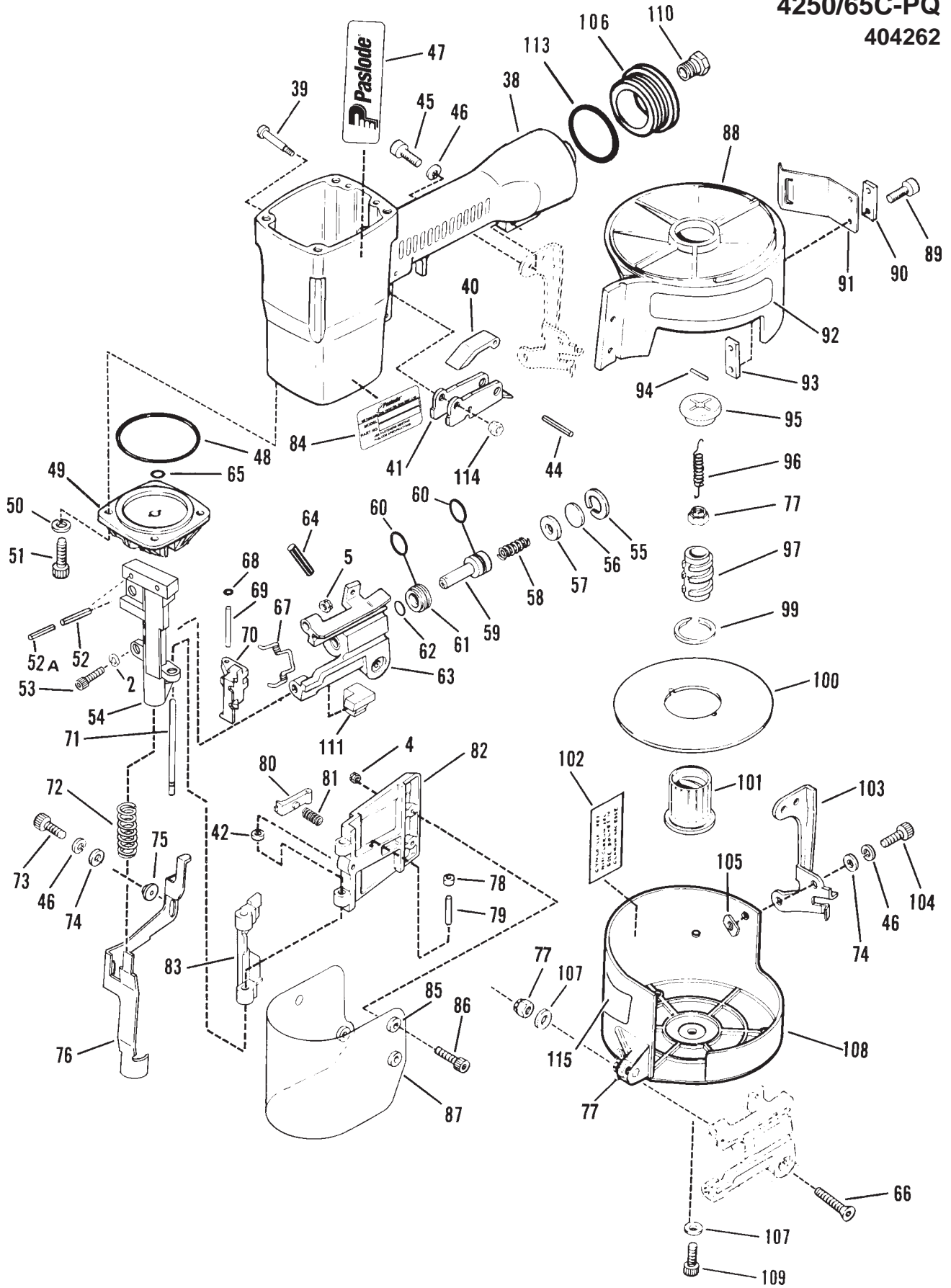
All parts must be periodically inspected and replaced if worn or broken. Failure to do this can affect the tool's operation and present a safety hazard.



## PARTS LEGEND - Continued

▲104	004224	2	Socket Head Capscrew, #10-32 x 3/8"
105	402089	2	Teenut
106	401940	1	End Plug
107	091447	6	Flat Washer, 1/4"
108	402063	1	Magazine, 2-1/2"
109	009041	1	Socket Head Capscrew, 1/4-20 x 3/4"
110	091622	1	Reducing Pipe Bushing, 1/4" x 3/8"
111	404313	1	Insert, Feeder Body
112	402979	4	Spacer, Diffuser
113	091591	1	"O" Ring
114	404325	1	Stop Nut
**115	500457	1	Warning Label
116	406010	1	Flange, Sleeve

4250/65C-PQ  
404262



## PARTS OFFERED AS ASSEMBLIES

### 402408 Trigger Assembly

Includes

40	405147	1	Lever, Trigger
41	405144	1	Trigger
44	005849	1	Roll Pin

### 500237 Cap Assembly

Includes

6	500011	1	Cap
8	402959	1	Spring, Main Valve
9	500322	1	Retaining Ring
10	402962	1	"O" Ring, Upper Valve Piston
11	402941	1	Upper Valve Piston
12	092729	1	"O" Ring, Lower Valve Piston
13	004163	1	"O" Ring, Lower Valve Piston
14	402974	1	"O" Ring, Lower Valve Piston
15	500321	1	Lower Valve Piston
16	405211	1	Seal, Main Valve
17	402963	1	"O" Ring, Main Valve Post
18	402944	1	Post, Main Valve
19	070502	1	Button Head Socket Cap Screw, #8-32 x 1/2"

### 500596 Post Assembly

Includes

77	091733	1	Flexloc Nut, 1/4 - 20
94	091866	2	Roll Pin, 1/16" Dia. x 3/4" Lg.
95	403296	1	Cap, Post
96	402071	1	Extension Spring, Post
97	406046	1	Inner Center Post
101	406047	1	Outer Center Post

### 500595 Tray Assembly

Includes

77	091733	1	Flexloc Nut, 1/4 - 20
94	091866	2	Roll Pin, 1/16" Dia. x 3/4" Lg.
95	403296	1	Cap, Post
96	402071	1	Extension Spring, Post
97	406046	1	Inner Center Post
99	402075	1	Retaining Ring
100	402074	1	Nail Plate Assembly
101	406047	1	Outer Center Post

### 405212 Main Valve Assembly

Includes

9	500322	1	Retaining Ring
10	402962	1	"O" Ring, Main Valve Assembly
11	402941	1	Upper Valve Piston
12	092729	1	"O" Ring, Lower Valve Piston
13	004163	1	"O" Ring, Lower Valve Piston
14	402974	1	"O" Ring, Lower Valve Piston
15	500321	1	Lower Valve Piston
16	405211	1	Seal, Main Valve

### 403794 Piston Assembly

Includes

20	400196	1	Gripco Lock Nut, 3/8-24
21	095412	2	Washer, Driver Blade
22	091539	1	"O" Ring, Piston
23	402951	1	Piston
24	402957	1	Driver Blade

## SAFETY INSTRUCTIONS

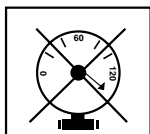
### WEAR EYE AND HEARING PROTECTION



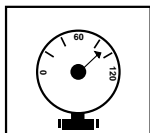
Always wear hearing protection and eye protection devices, including side shields when operating or working in the vicinity of a tool.



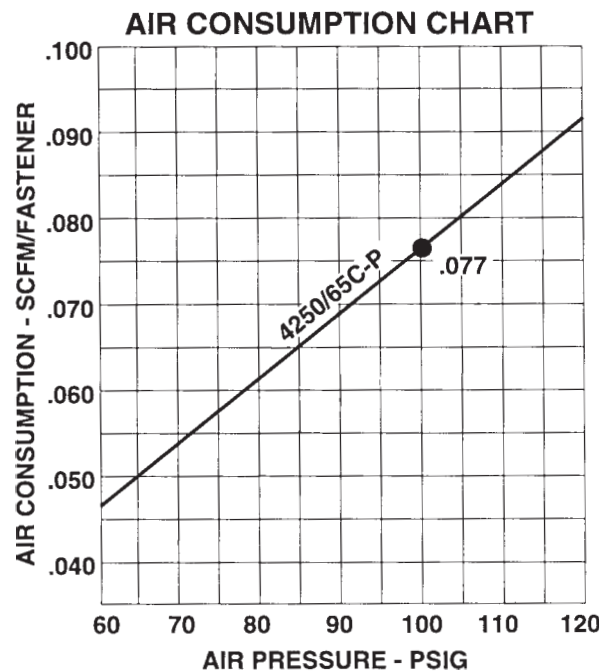
### DO NOT EXCEED MAXIMUM RECOMMENDED AIR PRESSURE



Operate the tool using only the recommended air pressure. Do not exceed the maximum air pressure marked on the tool. Be sure the air pressure gauge is operating properly and check it at least twice a day.



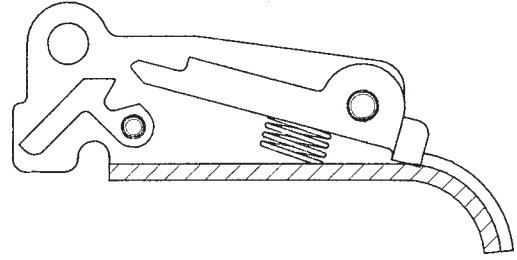
Never use any bottled air or gases such as oxygen to operate the tool since they could cause the tool to explode.



# ACCESSORIES

## Sequential Operating Kit

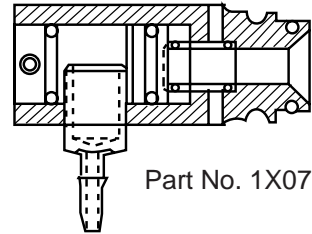
This special attachment is designed for sequential operation (stops "contact" firing). The operator must depress and hold the work contacting element against the work surface before pulling the trigger. This sequence must be repeated each time the tool drives a fastener.



Part No. 406006

## Remote Fire Valve

This valve via a positive air signal allows a machine mounted tool to be operated from an automatic air valve or foot pedal system.



Part No. 1X0713

## Lubricants and Loctite

- Chemplex 710 Lubricant 1 lb.
- Lubricating Oil 16 oz.
- Lubricating Oil 8 oz. with Antifreeze
- Loctite 242 (Blue) 1 oz.

Part No. 403734

Part No. 403720

Part No. 219090

Part No. 093500

## Degreaser Cleaner

Ideal cleaner for all Paslode tools.

Part No. 219086

## Belt Hook

Attaches to cap of tool enabling you to carry tool on belt holder (offered below).

Part No. 219017

## Belt Hook Holder

Attaches to work belt and carries tool using the above belt hook.

Part No. 219028

## Safety Glasses

- Clear
- Tinted

Part No. 402510

Part No. 402512

## Trigger Valve Repair Kit

This kit repairs all trigger valve air leaks.

Part No. 219224



An Illinois Tool Works Company  
888 Forest Edge Drive  
Vernon Hills, Illinois 60061