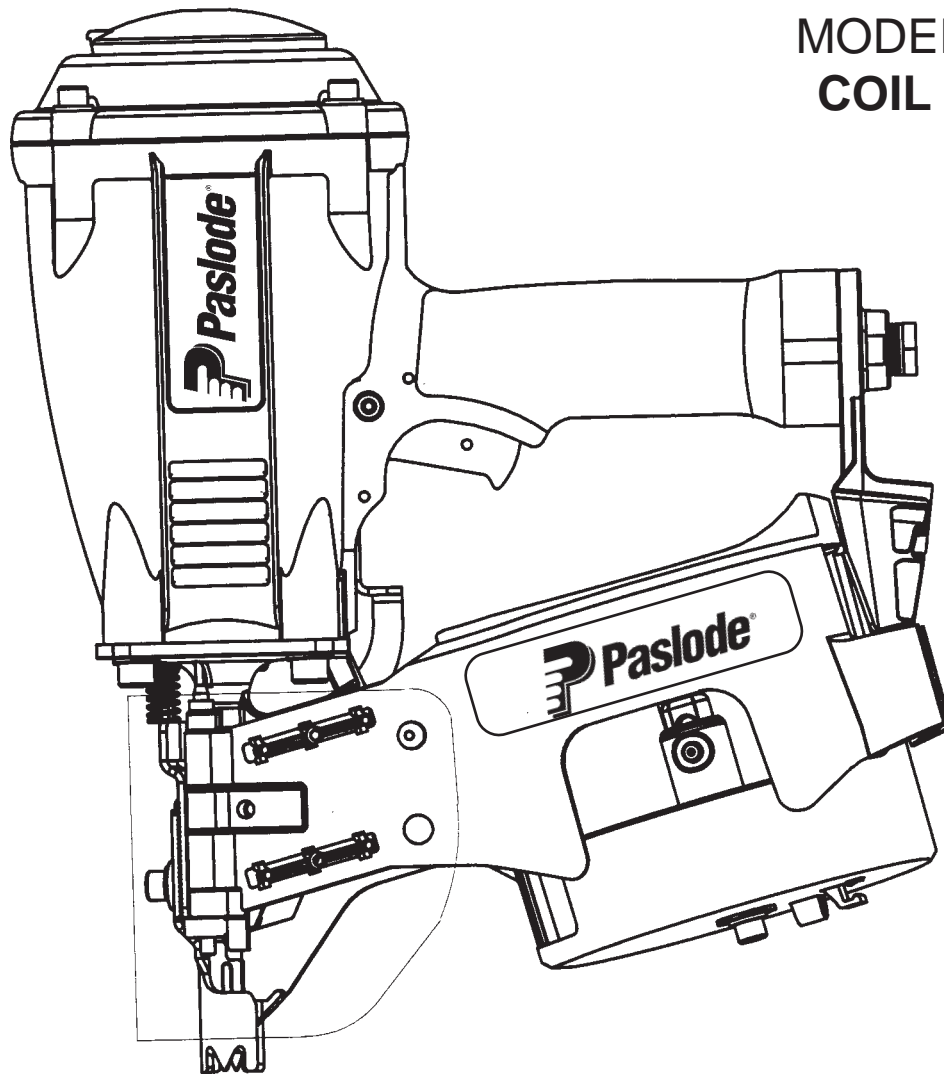




MODEL F325C
COIL NAILER



TOOL SCHEMATIC AND PARTS

IMPORTANT!
DO NOT DESTROY

Always refer to safety and maintenance manual #403606 for detailed information on this tool. It is the customer's responsibility to have all operators and service personnel read and understand this information.

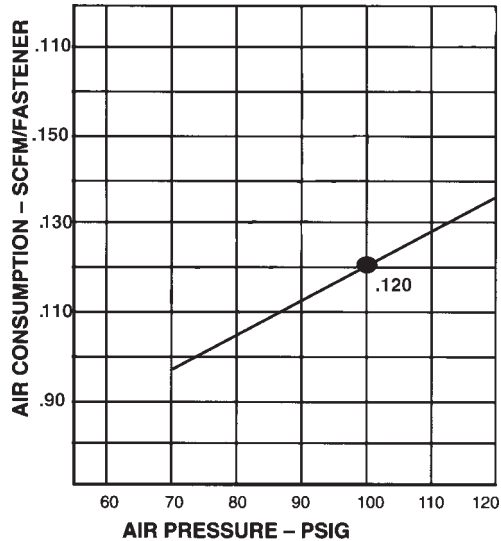
PARTS LEGEND

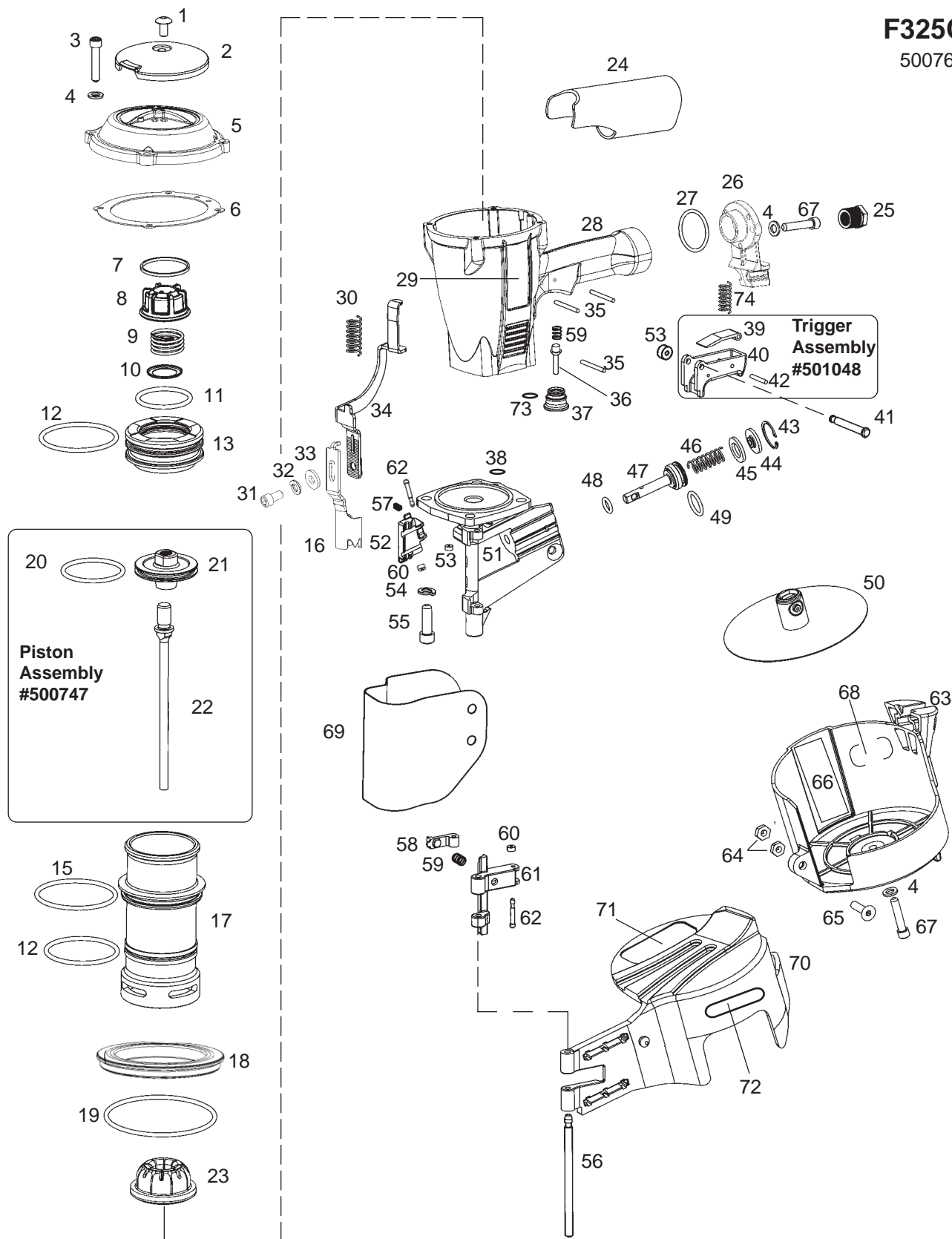
F325-C, 500765

| | | | | | | | |
|------|--------|---|--------------------------|------|--------|---|--------------------------|
| ▲1 | 501043 | 1 | T.H.S.C.S. 1/4-20 x 1/2" | *38 | 094295 | 1 | O-Ring |
| 2 | 501016 | 1 | Air Deflector | 39 | 501008 | 1 | Lever, Bottom Trip |
| 3 | 092735 | 4 | S.H.C.S. 1/4-20 x 1-1/4" | 40 | 501010 | 1 | Trigger |
| 4 | 092757 | 7 | Flatwasher 1/4" | 41 | 402669 | 1 | Pin, Trigger |
| 5 | 500788 | 1 | Cap | 42 | 501009 | 1 | Spirol Pin |
| 6 | 501001 | 1 | Gasket, Cap | 43 | 263239 | 1 | Retaining Ring |
| 7 | 500754 | 1 | Spacer, Exhaust | 44 | 402018 | 1 | End Cap, Feeder Body |
| 8 | 500744 | 1 | Stop, Piston | 45 | 402084 | 1 | Bumper, Feed Piston |
| 9 | 500743 | 1 | Spring, Valve | 46 | 402024 | 1 | Spring, Feed Claw Piston |
| 10 | 500742 | 1 | Seat, Spring | 47 | 500674 | 1 | Feed Claw Piston |
| *11 | 091986 | 1 | O-Ring | *48 | 402031 | 1 | O-Ring |
| *12 | 092235 | 2 | O-Ring | *49 | 091541 | 1 | O-Ring |
| →13 | 500947 | 1 | Valve Assembly | 50 | 500803 | 1 | Tray Assembly |
| →14 | 500740 | 1 | REMOVED | 51 | 500658 | 1 | Nose |
| *15 | 500249 | 1 | O-Ring | 52 | 500715 | 1 | Feed Claw |
| 16 | 500728 | 1 | Lower W.C.E. | 53 | 402668 | 2 | Retaining Washer |
| →17 | 500962 | 1 | Sleeve | 54 | 095417 | 4 | Lockwasher |
| 18 | 500779 | 1 | Flange, Sleeve | ▲55 | 009016 | 4 | S.H.C.S. 5/16-18 x 1" |
| *19 | 501002 | 1 | O-Ring | 56 | 500677 | 1 | Hinge Pin |
| *20 | 092971 | 1 | O-Ring | 57 | 500700 | 1 | Spring, Feed Claw |
| 21 | 500745 | 1 | Piston | 58 | 402037 | 1 | Holdback |
| ■*22 | 500659 | 1 | Driver Blade | 59 | 097748 | 2 | Spring |
| *23 | 500730 | 1 | Bumper | 60 | 402486 | 2 | Retaining Washer |
| 24 | 501023 | 1 | Grip | 61 | 500675 | 1 | Locator |
| 25 | 091622 | 1 | Reducing Pipe Bushing | 62 | 402487 | 2 | Pivot Pin |
| 26 | 500746 | 1 | End Cap | 63 | 500657 | 1 | Magazine |
| *27 | 092042 | 1 | O-Ring | 64 | 091733 | 2 | Flexloc Thin Nut |
| 28 | 500739 | 1 | Housing | 65 | 005562 | 1 | F.H.S.C.S. 1/4-20 x 5/8" |
| 29 | 501018 | 2 | Label, Housing | 66 | 501079 | 1 | Magazine Adjust. Label |
| 30 | 501006 | 1 | Spring,W.C.E. | 67 | 091592 | 3 | S.H.C.S. 1/4 x 3/4" |
| 31 | 091618 | 1 | S.H.C.S. 1/4 -20 x 1/2" | 68 | 500791 | 1 | Nameplate |
| 32 | 002187 | 1 | Lock washer | 69 | 402662 | 1 | Debris Shield |
| 33 | 404800 | 1 | Washer | 70 | 500678 | 1 | Cover, Magazine |
| 34 | 500660 | 1 | Upper W.C.E. | **71 | 500492 | 1 | Warning Label |
| 35 | 071297 | 3 | Roll Pin | 72 | 402655 | 1 | Logo, Magazine |
| 36 | 097746 | 1 | Valve Pin | 73 | 092174 | 1 | O-Ring |
| 37 | 401958 | 1 | Valve Body | 74 | 500199 | 1 | Spring |

- * Denotes normal wear items
- ** NOTE: Make sure Warning Label (500492) is properly affixed. Replace if necessary. Label available at no charge through Service Department.
- ▲ Apply Loctite 242 (Blue) Part No. 093500
- Apply Loctite 680 (Green) Part No. 219241

AIR CONSUMPTION CHART



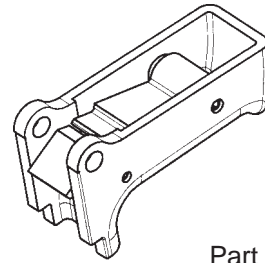


⚠ WARNING
All parts must be periodically inspected and replaced if worn or broken. Failure to do this can affect the tool's operation and present a safety hazard.

ACCESSORIES

Sequential Operating Kit

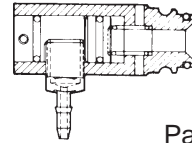
This special attachment is designed for sequential operation (stops "contact" firing). The operator must depress and hold the work contacting element against the work surface before pulling the trigger. This sequence must be repeated each time the tool drives a fastener.



Part No. 501039

Remote Fire Valve

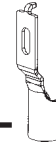
This valve via a positive air signal allows a machine mounted tool to be operated from an automatic air valve or foot pedal system.



Part No. 1X0713

Lower Work Contacting Element

This W.C.E. has a smooth bottom for decking, siding and sheathing applications.



Part No. 500810

Lubricants and Loctite

Loctite 680 (Green)

Part No. 219241

Loctite 242 (Blue) 1 oz.

Part No. 093500

Chemplex 710 Lubricant 1 lb.

Part No. 403734

→ Lubricating Oil 16 oz.

Part No. 403720

Lubricating Oil 8 oz. with Antifreeze

Part No. 219090

Degreaser Safety Cleaner

Ideal cleaner for all Paslode tools.

Part No. 219086

Belt Hook/Hanger

Part No. 219239

Rafter Hook/Hanger

Part No. 219242

Combination Rafter-Belt/Hanger

Part No. 501073

Safety Glasses

Clear

Part No. 402510

Tinted

Part No. 402512

Hex Key - 3/16" (For adjusting work contacting element.)

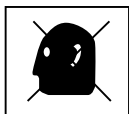
Part No. 500783

→ Large Nylon Tool Bag

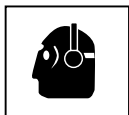
Part No. 219246

SAFETY INSTRUCTIONS

WEAR EYE AND HEARING PROTECTION



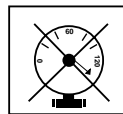
Always wear hearing protection and eye protection devices, including side shields when operating or working in the vicinity of a tool.



Never use any bottled air or gases such as oxygen to operate the tool since they

DO NOT EXCEED MAXIMUM

RECOMMENDED AIR PRESSURE



Operate the tool using only the recommended air pressure. Do not exceed the maximum air pressure marked on the tool. Be sure the air pressure gauge is operating properly and check it at least twice a day.

