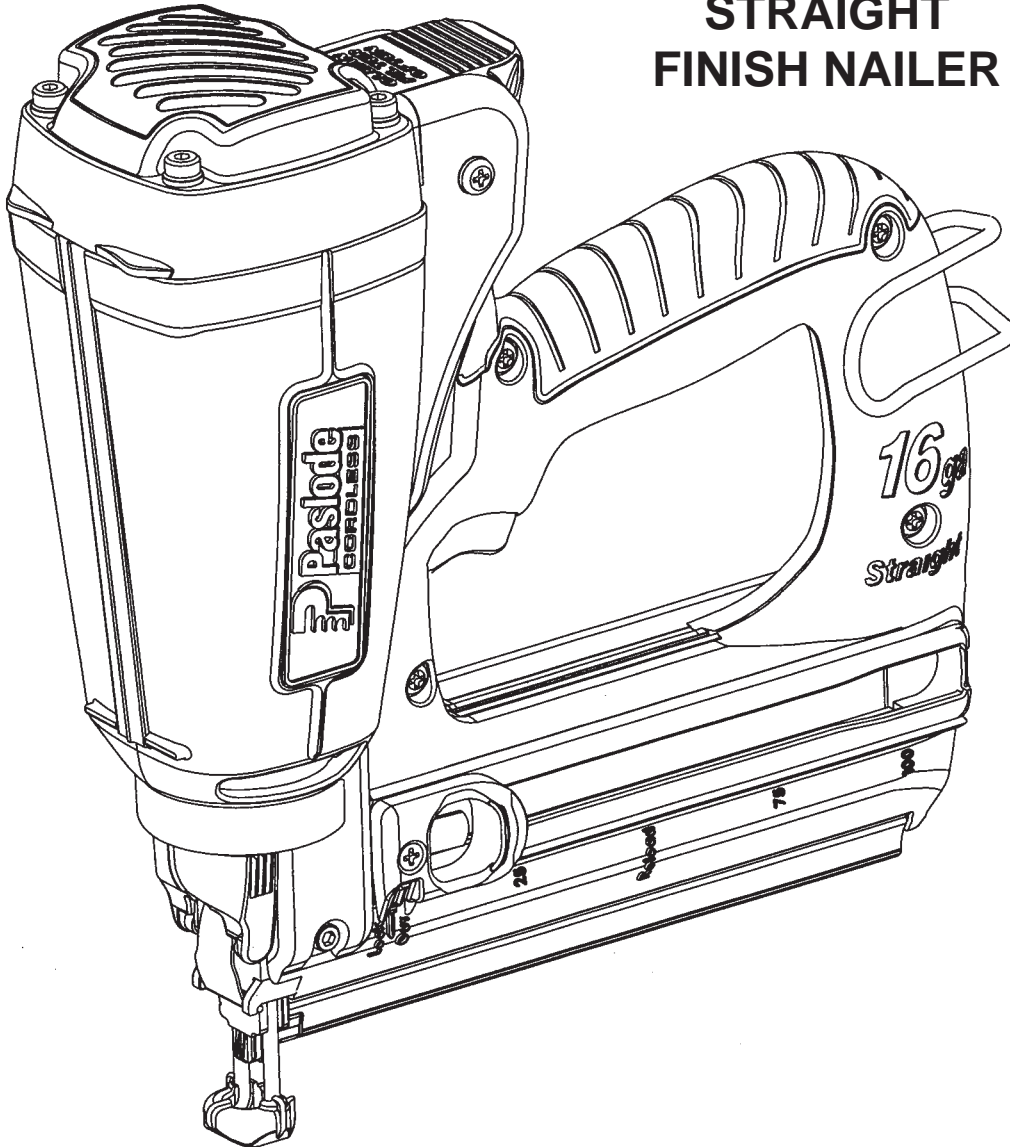




16 Gauge
Straight Finish Nailer
Part No. 902000

CORDLESS 16 GAUGE STRAIGHT FINISH NAILER



IMPORTANT! DO NOT DESTROY

Always refer to operating manual #902017 for detailed information on this tool. It is the customer's responsibility to have all operators and service personnel read and understand this information.

TOOL SCHEMATIC AND PARTS

PARTS LEGEND

Cordless 16 ga. Straight Finish Nailer, 902000

1	900640	1	Grill	57	401450	3	Battery Pad
*2	900648	1	Filter	58	902010	1	Nameplate
3	901064	4	Shoulder Screw 8-32 x 1-3/8"	59	900598	2	Sems Screw 10-32 x 5/16"
4	900596	1	Screw, Sems 8-32 x 7/16"	60	900312	1	Contact, Positive
5	902011	1	Cap	61	404385	1	Light Pipe
→ 6	901119	1	Retaining Ring	62	902005	1	Handle, Rightside
→ 8	901382	1	Fan Motor Assembly with ring	**63	900496	1	Warning Label
*13	401356	1	Motor Sleeve	64	900508	1	International Label
14	900714	1	Spark Plug Assembly	65	404922	2	Battery Contact Pad
15	900674	1	Wire Clip	66	900726	1	Slide Switch Assembly
16	900697	1	Stem Adapter	67	900311	1	Contact, Negative
17	405140	4	Screw 8-32 x 3/8"	68	900792	2	Shoulder Screw 8-32 x 15/32"
18	900785	1	Insulator	69	902007	1	Brad Channel
19	900739	1	Cylinder Head Circuit Board Assembly	70	902003	1	Magazine Extrusion
20	900605	1	Cylinder Head	→ ▲71	900660	2	Screw 10-32 x 3/8"(red)
21	900612	4	Seal Ring	72	900722	1	Follower Pin
22	900709	1	Fan Assembly	73	902002	1	Follower
23	900700	1	Air Dam	74	900691	1	Compression Spring
24	900729	1	Combustion Chamber Assembly	75	900627	1	Negator Spring
25	900704	1	Yoke	76	900720	1	Follower Core
27	900734	1	Roll Pin	77	901111	2	Housing Label
28	900727	1	Knob w/ Yoke Guide Assembly	78	900724	1	Screw Plastite 8-16 x 5/8"
29	900707	2	Probe Bumper	79	902008	1	Follower Body
30	900671	2	Spring, Combustion Chamber	80	901066	4	Screw Plastite 8-16 x 3/4"
31	900706	2	Spring Guide	81	900289	1	Belt Hook
32	900688	1	Latch Cover Quick Clear	82	902006	1	Handle, Leftside
33	900786	1	Quick Clear Lever Assembly	83	900703	1	Handle Bracket
35	900619	1	Dowel Pin	84	900755	1	Bushing Actuator
36	900684	1	Front Plate	85	900788	1	Actuator
38	900685	1	Latch Cover Pin	86	404433	1	Pin Actuator
■ 39	900686	1	Probe	87	900765	1	Spark Plug Wire Assembly
40	900702	1	Probe Tip	88	900663	1	Fan Wire Assembly
41	900708	2	S.H.C.S. 8-32 x 1/2" (red)	89	901050	1	Molded Circuit Assembly
42	900692	1	Retaining Cup	90	900629	1	High Tension Clip
43	902001	1	Nose	91	404702	3	Screw 6-32 x 3/8"
44	900631	1	Spring	92	901053	1	Trigger Spring
45	900602	1	Lockout Bar	94	901045	1	Trigger with Pad
46	900630	1	Lockout Pin	95	901047	1	Trigger Pin
48	900730	1	Sleeve Assembly	96	900672	1	Electronic Spark Unit
49	900616	1	O-Ring	97	901044	1	Soft Grip
50	901089	1	Exhaust Baffle	98	900662	1	ESU Power Wire Assembly
51	900665	1	Reed Plate	99	403099	1	Retaining Ring
52	900664	1	Reed Valve	100	403098	1	Piston Ring
53	900609	1	Muffler	*101	900728	1	Piston Assembly
54	900668	1	Muffler Cover	*102	900680	1	Piston Bumper
56	900620	1	Front Channel Extrusion	103	900746	2	Screw 8-32 x 7/16"
				104	900754	1	Screw 8-32 x 1/2" (yellow)
				105	900645	1	Ball, knob

* Denotes Normal Wear Items

** Make sure Warning Label (900496) is properly affixed replace if necessary. Label is available at no charge through the Service Dept.

■ Apply Grease Part No. 900767 to threads.

▲ Apply Loctite 277 (red)

→ Denotes New Change

SAFETY INSTRUCTIONS

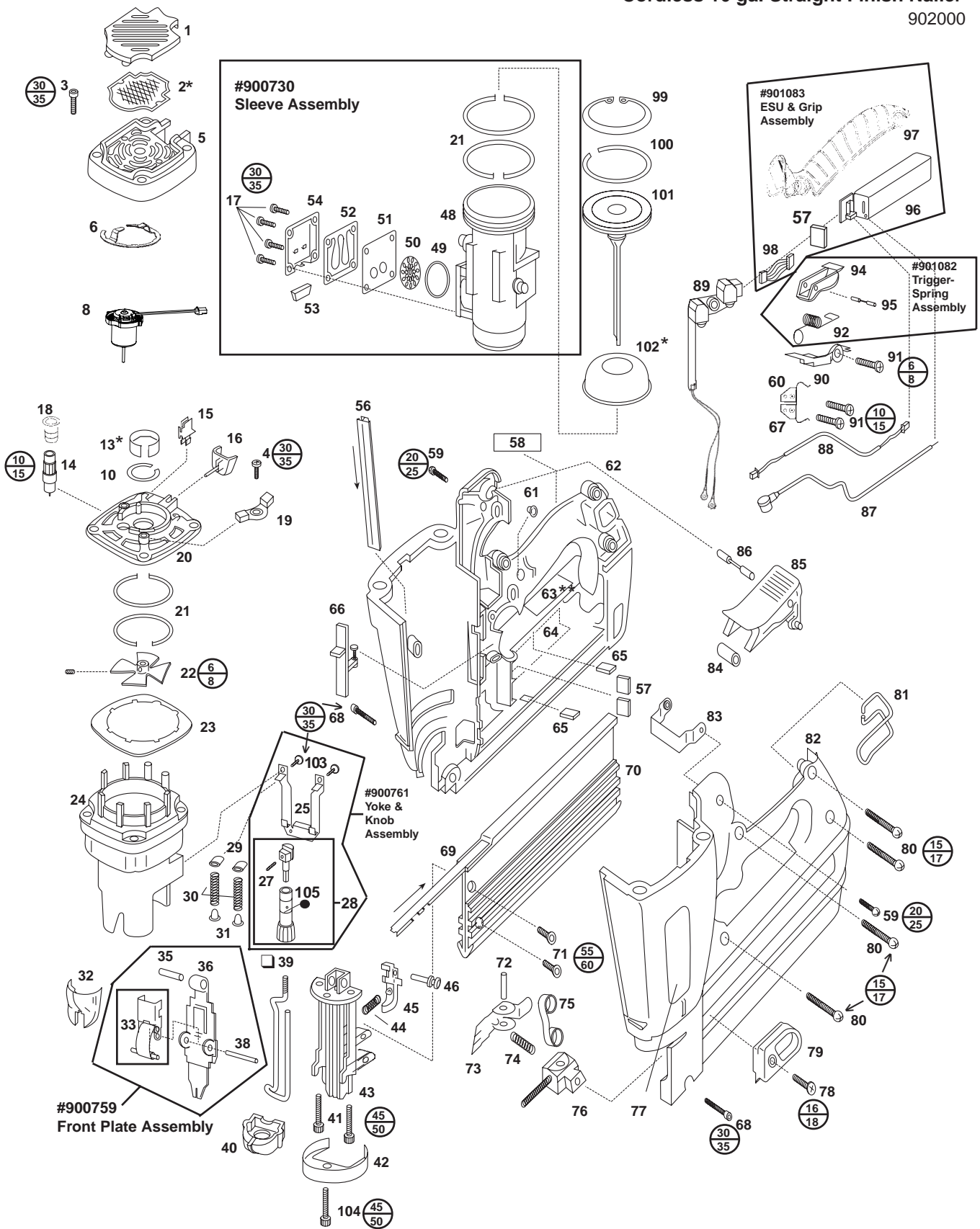
WEAR EYE AND HEARING PROTECTION



Always wear hearing protection and eye protection devices, including side shields when operating or working in the vicinity of a tool.



Cordless 16 ga. Straight Finish Nailer
902000



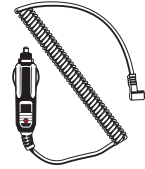
* Denotes Normal Wear Items
 ** Make sure Warning Label (900496) is properly affixed replace if necessary. Label is available at no charge through the Service Dept.
 □ Apply Grease Part No. 900767 to threads.

TORQUE VALUES	
MIN	IN/LBS
MAX	

ACCESSORIES

Car Adapter

Enables you to re-charge your battery with your vehicle's electrical system.



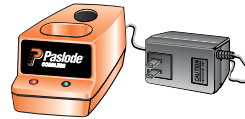
Part No. 900507

Battery

Part No. 404717

Battery Charger Kit

(Replacement Charger Base Only Part No. 901230)
(Replacement Transformer Only Part No. 900477)



Part No. 900200

No-Mar Tip - 3 Pk.

Contains 3 of #900702 tips conveniently packaged in a reusable plastic box.

Part No. 219236

9/64" Hex Key

For cleaning tool.

Part No. 900736

Clear Safety Glasses



Part No. 402510

Tinted Safety Glasses

Part No. 402512

Degreaser Cleaner

Ideal cleaner for all Paslode® tools.



Part No. 219086

Paslode Cordless Lubricating Oil



Part No. 401482

Carrying Case

Part No. 900751

Bumper Removal Tool

Part No. 900760

High Altitude Valve Kit

For fuel cells at altitudes from 4000 ft to 9000 ft.

Part No. 219247

 **Paslode**[®]
An Illinois Tool Works Company
888 Forest Edge Drive
Vernon Hills, Illinois 60061
www.paslode.com