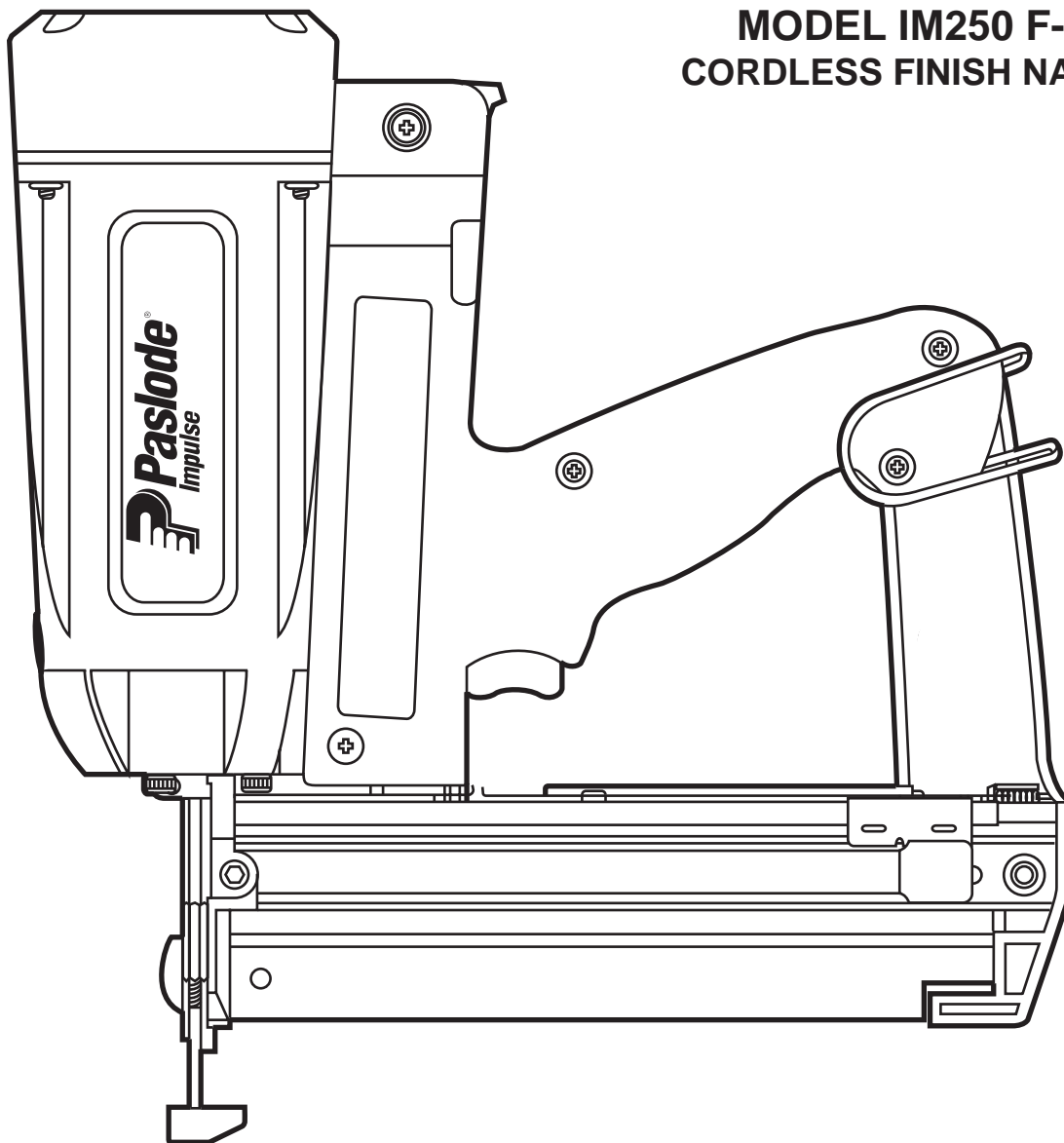




Model: IM250 II
Part No. 900400
Cordless 16 Gauge Finish Nailer

**MODEL IM250 F-16 II
CORDLESS FINISH NAILER**



TOOL SCHEMATIC AND PARTS

**IMPORTANT!
DO NOT DESTROY**

Always refer to operators manual #405606 for detailed information on this tool. It is the customers responsibility to have all operators and service personnel read and understand this information.

PARTS LEGEND

IM250 F-16 TYPE II, 900400

1	900356	1	Grille	51	900941	1	Nut 8-32
2	900455	1	Filter	52	404702	2	Screw, Thread 6-32 x 3/8
3	008738	4	Socket Head Cap Screw, 10-24 x 1-1/4	53	900329	1	Spring, Cover
4	008388	7	Flat Washer #10	54	900328	1	Spring, Negator
5	900410	1	Cap Assembly	55	900350	1	Lever, Quick Clear
6	404427	3	Screw, Taptite, B-32 x 5/8	56	900301	1	Follower
7	006562	3	Washer #8	57	900302	1	Cover
8	900575	1	Circuit Board Assembly	58	900166	1	Spring
9	900573	1	Fan Motor with Mount	59	900338	2	Screw 10-32 x 1/2
10	900468	1	Washer	61	900332	1	Hub
11	900287	1	Spark Plug Assembly	▲ 62	900303	1	Cover, Moveable
12	401356	1	Sleeve, Motor	63	900326	2	Wear Strip
15	403146	1	Stem Adapter (Yellow)	64	900417	1	Rail Assembly
16	900004	1	Cylinder Head	65	900407	2	Socket Head Cap Screw 10-32 x 5/16
*17	404700	2	O-Ring	66	004174	3	Screw 10-24 x 7/8
18	403167	1	Fan Blade Assembly	67	900335	1	Spring, Quick Clear
19	900583	1	Removable spark Plug Wire	▲ 68	900412	1	Nose Assembly
20	900280	1	Spark Unit Assembly	69	900342	1	Mounting Ring
21	404601	1	Head Switch Assembly	70	900353	1	Pivot Pin
22	404490	1	Trigger Switch Assembly	71	900324	1	Front Guide
23	900232	1	Cable Clamp	72	403104	1	Air Dam
25	900094	2	Screw 10-32 x 5/8	73	403100	1	Combustion Chamber Assembly
26	006546	2	Internal Lockwasher #10	74	403099	1	Retaining Ring, Piston
27	404432	1	Bushing	*75	403098	1	Piston Ring
28	900357	1	Actuator	76	403095	1	Piston Driver Blade Assembly
29	404433	1	Pin	*77	403094	1	Bumper
30	900415	1	Actuator Assembly	78	900416	1	Upper Probe Assembly
31	900405	1	Self Clenching Nut	79	403084	1	Sleeve and Midcheck Ring Assembly
32	900944	1	Handle Assembly, Right Side	80	403089	1	Seal Washer
**33	900496	1	Warning label	81	403090	2	Wave Washer
34	900576	1	Nameplate	82	403092	2	Retaining Ring, Midcheck
35	900311	1	Contact Positive	83	403091	1	Muffler
36	900312	1	Contact Negative	84	404339	1	Spring, Chamber Return
37	900943	1	Handle Assembly, Left Side	85	403106	1	Cage
38	900508	1	International Label	86	900651	2	Label, Logo
40	900453	3	Thread Forming Screw, 8-16 x 7/8	87	900323	1	Probe, Lower
41	900289	1	Belt Hook	88	900411	1	Housing Assembly
42	403107	1	Screw, 8-32 x 1 1/2	89	900352	1	Tip
43	403082	3	Washer, .189 x .312 x .040	90	900182	2	Washer, Trigger
44	900942	1	Bushing	91	900382	1	Back Plate Insert
45	401450	2	Pad	92	403713	3	E-Ring, Retaining
46	404385	1	Light Pipe	93	404613	1	Cable Tie
47	402201	2	Screw, Phillips Head, 2-56 x 5/8	94	900164	1	Ring
48	401395	1	Spring	95	900331	2	Insert, Handle
49	900358	1	Trigger	96	900341	2	E-Ring
50	900336	1	Contact Wire Assembly				

* Denotes Normal Wear Item.

▲ Apply Loctite 242 (Blue) Part No.095300

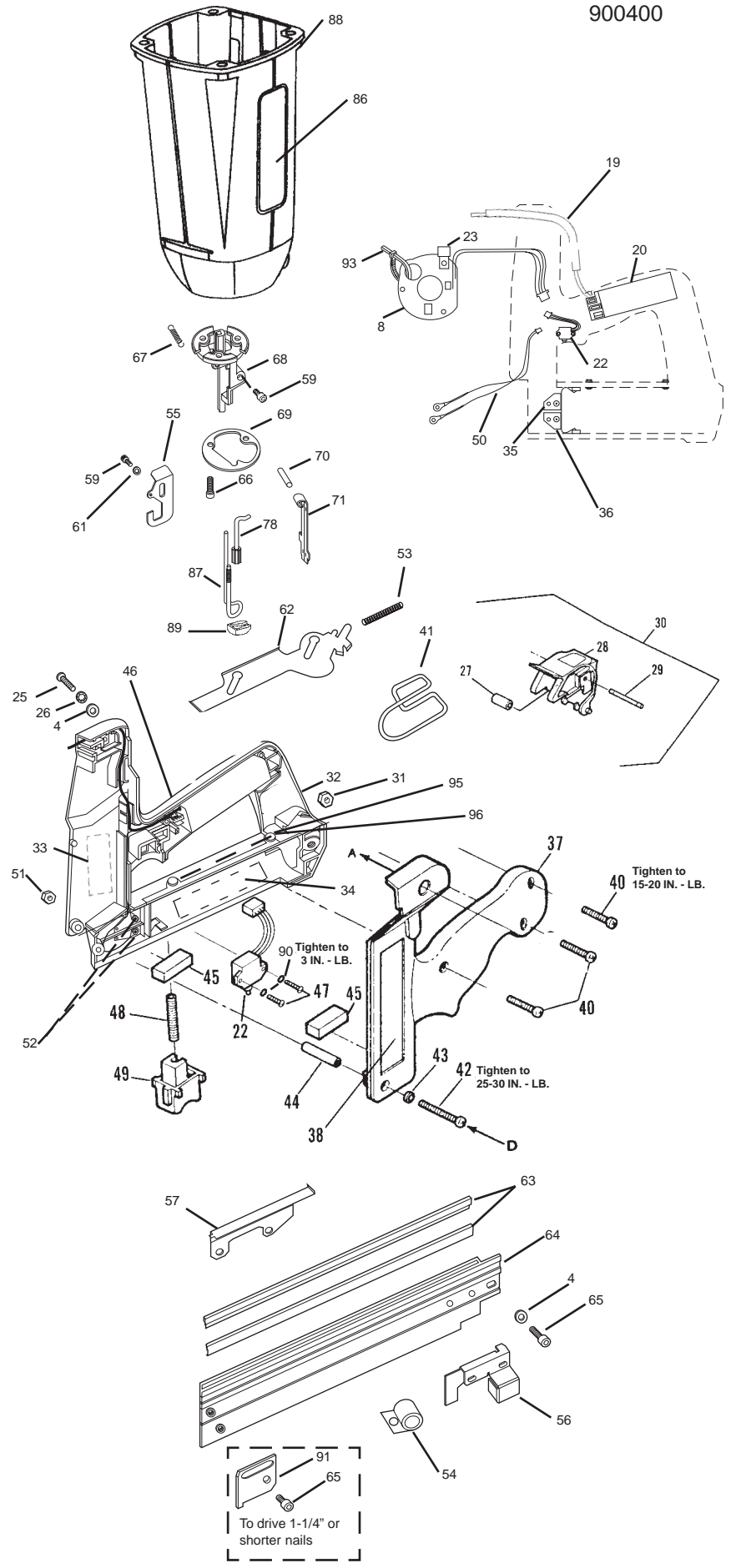
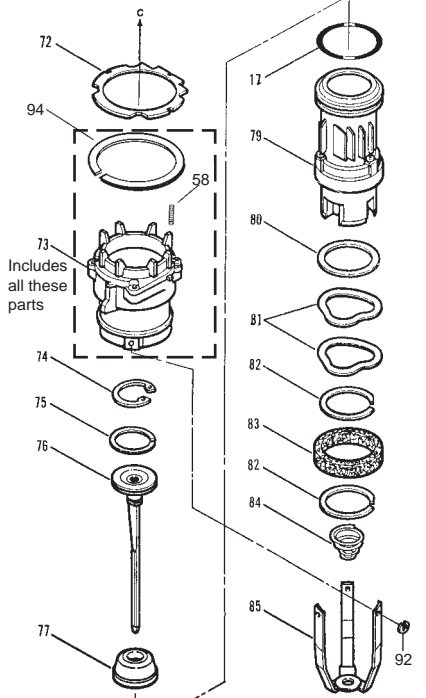
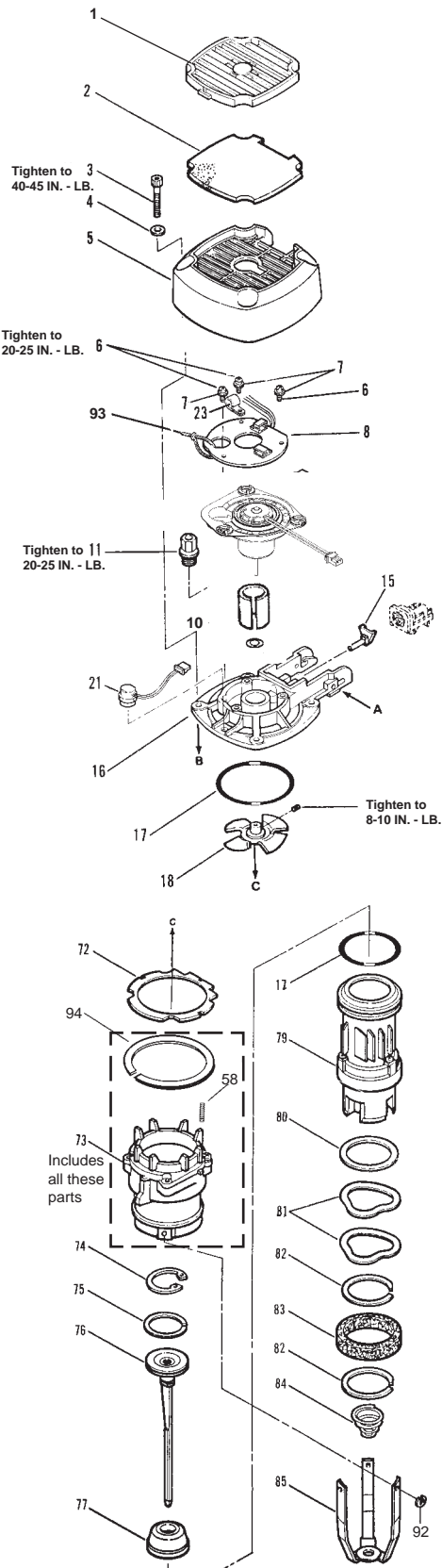
** Make sure Warning Label (900496) is properly affixed replace if necessary. Label is available at no charge through the Service Dept.

→ Denotes Change

SAFETY INSTRUCTIONS

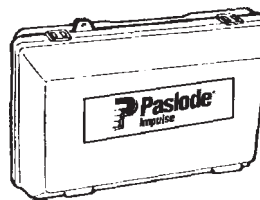
1. WEAR EYE AND EAR PROTECTION.
2. ALWAYS ASSUME THE TOOL IS 'LOADED'.
3. OPERATE THE TOOL ONLY ON THE WORK SURFACE.
4. NEVER REMOVE OR DISABLE THE WORK CONTACTING ELEMENT.
This device helps reduce the possibility of accidental fastener discharge by preventing the tool from operating until it is completely against the work surface. NEVER operate the tool if the work contacting element is not working properly.
5. ALWAYS POINT THE TOOL AWAY FROM YOURSELF AND OTHERS WHEN CLEARING JAMS OR REMOVING FASTENERS.
Pull the follower back and latch. Tip the tool nose up slightly and fasteners should slide out of the magazine. If fasteners are jammed, refer to the appropriate section of the operating manual.
6. NEVER ATTEMPT TO OPERATE THE IMPULSE TOOL IF PARTS ARE LOOSE, DAMAGED OR MISSING.

IM250 F-16 II
900400



ACCESSORIES

Impulse Nailer Case



Part No. 900488

Battery Cell



Part No. 404717

Impulse Oil

Part No. 401482

Torx Key

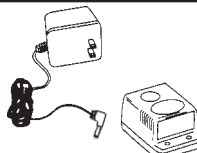
For tightening fan blade to motor

Part No. 900183

Battery Charger Kit

(Replacement Charger Base only Part No. 900476)

(Replacement Transformer Only Part No. 900477)



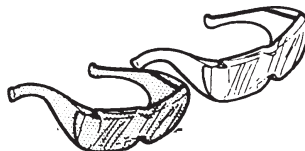
Part No. 900200

Clear Safety Glasses

Part No. 402510

Tinted Safety Glasses

Part No. 402512



Degreaser Cleaner

Ideal cleaner for all Paslode tools

Part No. 219086

Service Tool Kit

A 19 piece tool kit containing all the necessary tools to repair any Impulse tool.

Part No. 401498

No- Mar Tip - 3 pack

Part No. 219226

→ High Altitude Fuel Cell Valve - 4 pack

For use in elevations of 4000ft. to 9000ft.

Part No. 219247

 **Paslode**[®]
An Illinois Tool Works Company
888 Forest Edge Drive
Vernon Hills, Illinois 60061