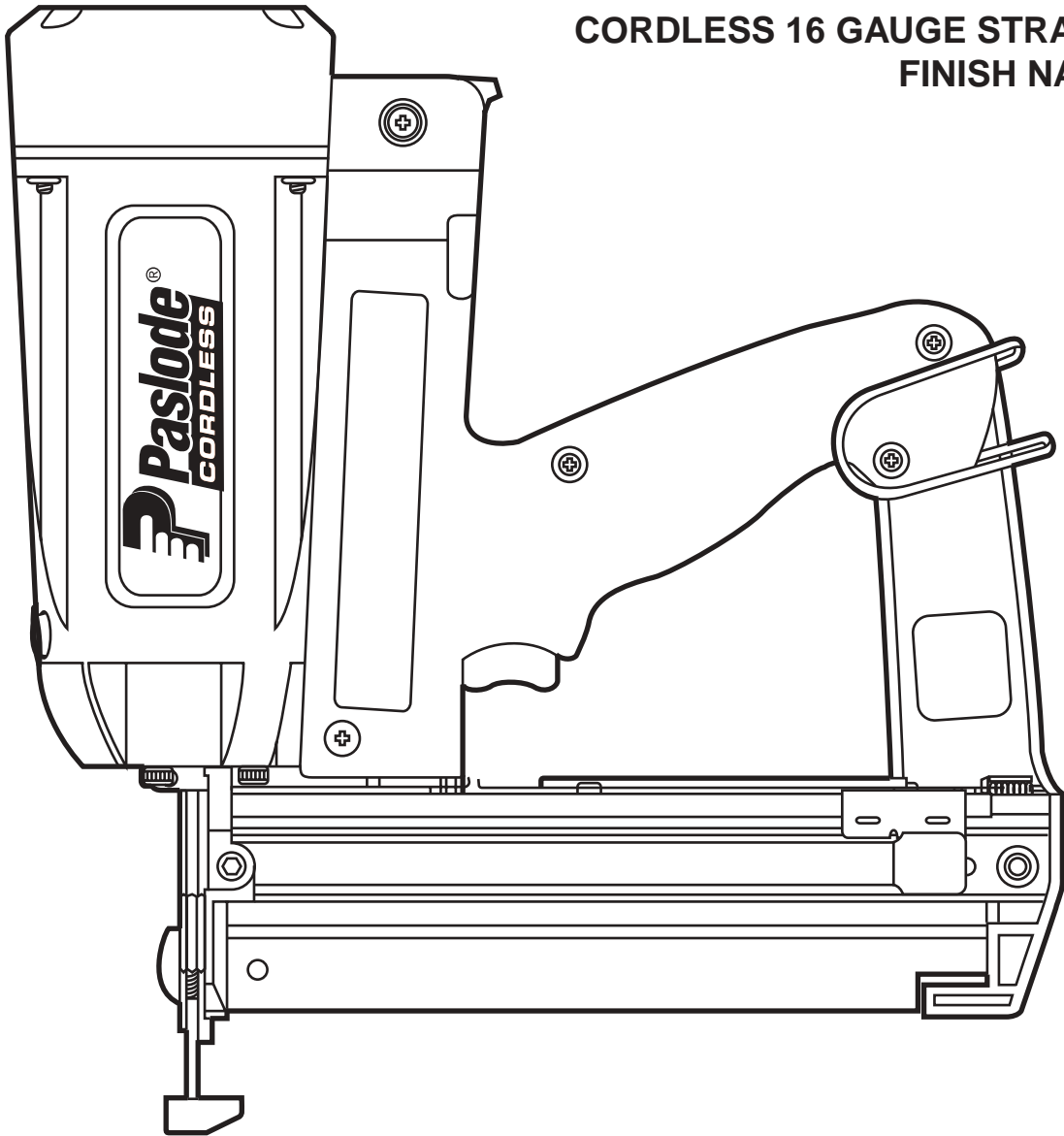




**CORDLESS 16 GAUGE STRAIGHT
FINISH NAILER**



TOOL SCHEMATIC AND PARTS

**IMPORTANT!
DO NOT DESTROY**

Always refer to operators manual #405606 for detailed information on this tool. It is the customers responsibility to have all operators and service personnel read and understand this information.

PARTS LEGEND

900400

1	900356	1	Grille	53	900329	1	Spring, Cover
2	900455	1	Filter	54	900328	1	Spring, Negator
3	901065	4	Shoulder Screw, 10-24 x 1-1/4	55	900350	1	Lever, Quick Clear
4	008388	1	Flat Washer #10	56	900301	1	Follower
5	900410	1	Cap Assembly	57	900302	1	Cover
6	404427	3	Screw, Taptite, B-32 x 5/8	▲ 58	900166	1	Spring
7	006562	3	Washer #8	59	900338	2	Screw 10-32 x 1/2
8	900575	1	Circuit Board Assembly	61	900332	1	Hub
9	900573	1	Fan Motor with Mount	62	900303	1	Cover, Moveable
10	900468	1	Washer	63	900326	2	Wear Strip
11	900287	1	Spark Plug Assembly	64	900417	1	Rail Assembly
12	401356	1	Sleeve, Motor	▲ 65	900407	2	Socket Head Cap Screw 10-32 x 5/16
15	403146	1	Stem Adapter (Yellow)	66	004174	3	Screw 10-24 x 7/8
16	900004	1	Cylinder Head	67	900335	1	Spring, Quick Clear
*17	404700	2	O-Ring	68	900412	1	Nose Assembly
18	403167	1	Fan Blade Assembly	69	900342	1	Mounting Ring
19	900583	1	Removable spark Plug Wire	70	900353	1	Pivot Pin
20	900280	1	Spark Unit Assembly	71	900324	1	Front Guide
21	404601	1	Head Switch Assembly	72	403104	1	Air Dam
22	404490	1	Trigger Switch Assembly	73	403100	1	Combustion Chamber Assembly
23	900232	1	Cable Clamp	74	403099	1	Retaining Ring, Piston
25	900968	2	Screw 10-32 x 5/8	*75	403098	1	Piston Ring
30	900415	1	Actuator Assembly	76	403095	1	Piston Driver Blade Assembly
31	900405	1	Self Clenching Nut	*77	403094	1	Bumper
32	900944	1	Handle Right side	78	900416	1	Upper Probe Assembly
**33	900496	1	Warning label	79	403084	1	Sleeve and Midcheck Ring Assembly
34	901259	1	Nameplate	80	403089	1	Seal Washer
35	900312	1	Contact Positive	81	403090	2	Wave Washer
36	900311	1	Contact Negative	82	403092	2	Retaining Ring, Midcheck
37	900943	1	Handle Left side	83	403091	1	Muffler
38	900508	1	International Label	84	404339	1	Spring, Chamber Return
40	900453	3	Thread Forming Screw, 8-16 x 7/8	85	403106	1	Cage
41	900289	1	Belt Hook	86	901111	2	Housing Label, Logo
42	403107	1	Screw, 8-32 x 1 1/2	87	900323	1	Probe, Lower
43	403082	3	Washer, .189 x .312 x .040	88	900411	1	Housing Assembly
44	900942	1	Bushing	89	900352	1	Tip
45	401450	2	Pad	90	900182	2	Washer, Trigger
46	404385	1	Light Pipe	91	900382	1	Back Plate Insert
47	402201	2	Screw, Phillips Head, 2-56 x 5/8	92	403713	3	E-Ring, Retaining
48	401395	1	Spring	93	404613	1	Cable Tie
49	900358	1	Trigger	94	900164	1	Ring
50	900336	1	Contact Wire Assembly	95	900331	2	Insert, Handle
51	900941	1	Nut 8-32	96	900341	2	E-Ring
52	404702	2	Screw, Thread 6-32 x 3/8				

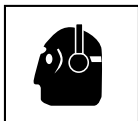
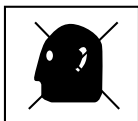
* Denotes Normal Wear Item.

▲ Apply Loctite 242 (Blue) Part No.093500

** Make sure Warning Label (900496) is properly affixed replace if necessary. Label is available at no charge through the Service Dept.

➔ Denotes Change

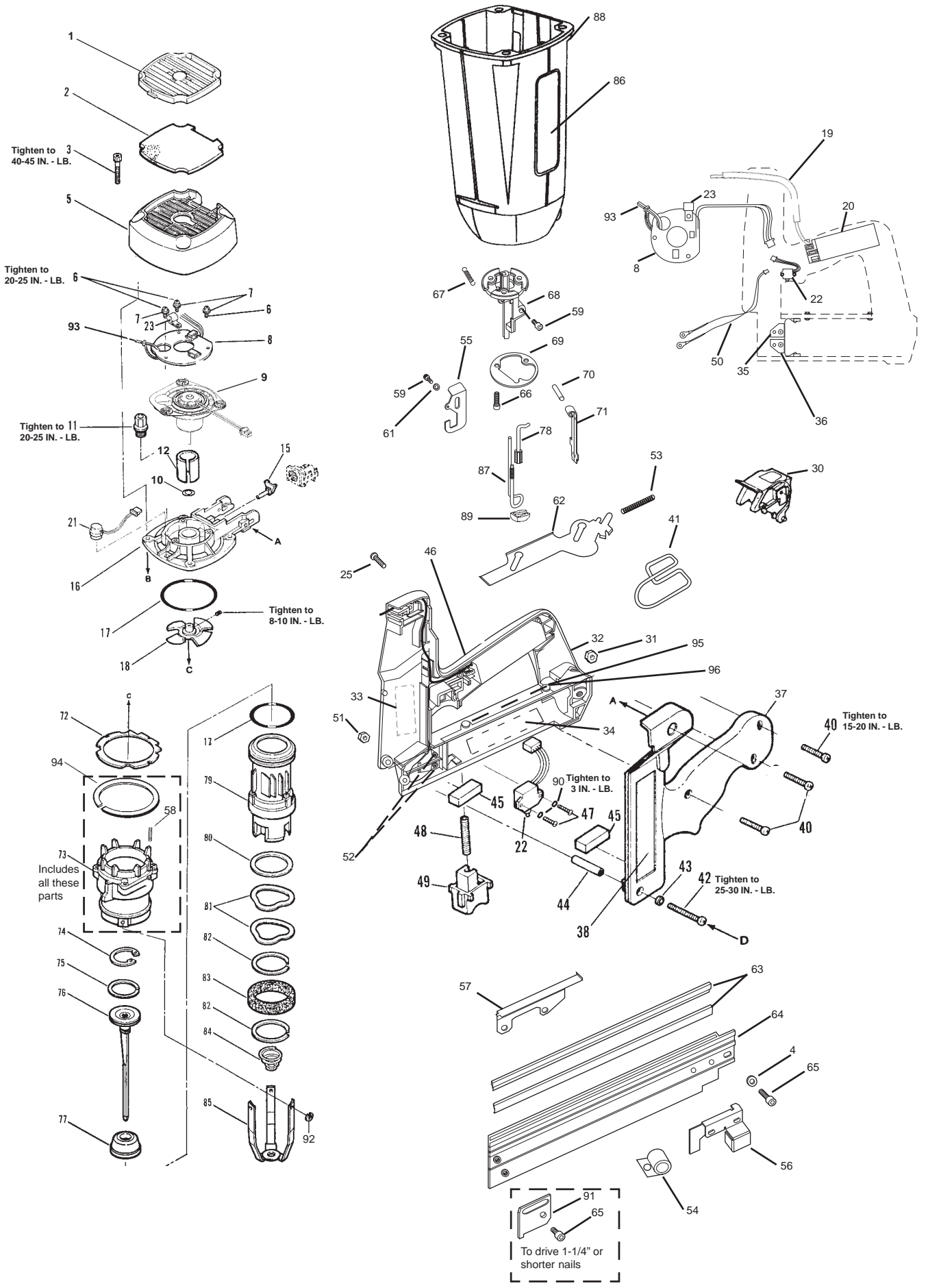
WEAR EYE AND HEARING PROTECTION



Always wear hearing protection and eye protection devices, including side shields when operating or working in the vicinity of a tool.

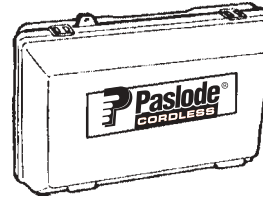
⚠ WARNING

All parts must be periodically inspected and replaced if worn or broken. Failure to do this can affect the tool's operation and present a safety hazard.



ACCESSORIES

Carrying Case



Part No. 900488

Battery



Part No. 404717

Paslode Cordless Lubricating Oil



Part No. 401482

Torx Key

For tightening fan blade to motor

Part No. 900183

Battery Charger Kit

(Replacement Charger Base only Part No. 900476)

(Replacement Transformer Only Part No. 900477)



Part No. 900200

Clear Safety Glasses



Part No. 402510

Tinted Safety Glasses



Part No. 402512

Degreaser Cleaner

Ideal cleaner for all Paslode tools



Part No. 219086

Service Tool Kit

A 19 piece tool kit containing all the necessary tools to repair any Impulse tool.

Part No. 401498

No- Mar Tip - 3 pack

Part No. 219226

High Altitude Fuel Cell Valve - 4 pack

For use in elevations of 4000ft. to 9000ft.

Part No. 219247

 **Paslode**[®]
An Illinois Tool Works Company
888 Forest Edge Drive
Vernon Hills, Illinois 60061