

**PASLODE CORDLESS
FRAMING NAILER**

TOOL SCHEMATIC AND PARTS

**IMPORTANT!
DO NOT DESTROY**

Always refer to operating manual #403608 for detailed information on this tool. It is the customer's responsibility to have all operators and service personnel read and understand this information.

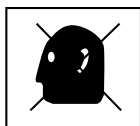
PARTS LEGEND Paslode CORDLESS FRAMING NAILER, 900420

1	900320	1	Grill	49	404485	1	Piston Assembly		
*2	900315	1	Filter	50	900521	1	Combustion Chamber Assembly		
3	900469	1	Fan Motor Assembly (Includes PC board, washer and flat retaining ring)	51	404827	2	Pin		
4	900300	1	Retaining Ring (flat)	*52	404419	1	Bumper		
5	006562	3	Lockwasher #8	53	404411	3	Spring		
6	900470	1	Motor Mount	*54	404482	1	O-Ring		
7	401355	1	Retaining Ring (curved)	55	404719	1	Sleeve Assembly		
8	900348	4	Socket Head Capscrew 10-24 x 1-1/2	56	404464	2	Rubber Stop		
9	008388	4	Flat Washer	57	404424	1	Reed Valve		
*10	401356	1	Motor Sleeve	58	404422	1	Muffler		
11	900286	1	Spark Plug Assembly, includes O-Ring	59	404423	1	Muffler Cover		
12	404428	2	Push Rod	60	404468	4	Lock Washer		
13	404453	1	Bracket, Cylinder Head	61	404722	4	Screw, Thread Forming 8-32 x 7/16		
14	404432	1	Bushing, Actuator	62	403816	2	Socket Head Capscrew 10 - 24 x 1-1/8		
15	404444	1	Actuator	63	404445	2	Bushing, Shear Lock		
16	404433	1	Actuator Pin	64	404417	1	Wear Plate, Nose		
17	401340	1	Stem Adapter	65	404410	1	Upper Probe		
18	900471	1	Cylinder Head Machined	66	404413	1	Lower Probe		
*19	403992	1	O-Ring	67	009037	2	Socket Head Capscrew 10 - 32 x 1/2		
20	403167	1	Fan Blade Assembly	68	401380	1	Tie Bar		
21	900474	1	Spark Unit Assembly	69	900425	1	Clamp, Cable		
22	900475	1	Molded Circuit Assembly	70	404704	1	Housing Assembly		
23	900478	1	Spark Plug Contact Assembly	71	900289	1	Belt Hook		
24	900231	1	Clip, ESU Wire	72	404390	2	Label		
■	25	403987	2	Screw, thread-forming 6-32 x 1/4	73	404418	1	Retainer Ring, Sleeve	
26	900461	1	Handle Assembly Kit - Right & Left	▲	74	004618	3	Socket Head Capscrew 10-24 x 5/8	
27	404448	1	Roller Lever Assembly	75	403985	1	Follower		
28	404447	1	Flat Washer	76	900520	1	Follower Bushing Spring Assembly		
29	404702	3	Screw, Thread Forming 6 x 3/8	77	900529	1	Retaining Ring		
30	404436	1	Nail Channel	78	403986	1	Spring Pin		
31	404441	1	Cover Plate Magazine	79	403984	1	Follower Guide		
32	404477	2	Screw 10 - 32 x 1/2	80	900297	1	Follower Button		
33	900465	1	Cap (with bushings)	81	404457	1	Spring		
34	404412	1	Wear Plate, Chamber Lock	82	404922	2	Pad, Battery Contact		
35	900453	4	Screw Plastite 8-16 x 7/8	83	401450	4	Fuel Cell Pad		
**	36	900508	1	Warning Label	■	84	405141	2	Screw Torx 8 - 32 x 7/16
37	404442	1	Channel Magazine	85	900334	1	Cage Stop		
■	38	013625	4	Socket Head Capscrew 8 - 32 x 1/2	86	404426	1	Exhaust Baffle	
39	404414	4	Flat Washer #8	87	404425	1	Reed Plate		
40	404451	1	Lockout Bar, Follower	→■	88	900969	4	Torx Screw 8-32 x 5/8	
41	404446	2	Shear Block, Link	89	900481	1	O-Ring		
42	900472	1	Shear Block, LH	**90	900497	1	Warning Label		
43	900473	1	Shear Block, RH	91	900372	1	Combustion Chamber Ring		
44	404435	1	Trigger	92	404407	1	Combustion Chamber		
45	900269	1	Chamber Lock Bar	93	405140	2	Torx Screw 8-32 x 3/8		
46	404927	1	Spring, Trigger	94	004238	5	Lock Washer #10		
47	401328	1	Retainer ring	95	900495	1	Nameplate		
48	401461	2	Piston Ring	96	900427	1	Light Pipe		
				97	900468	1	Washer, Motor Shaft		
				98	900349	4	Bushing, Cap		

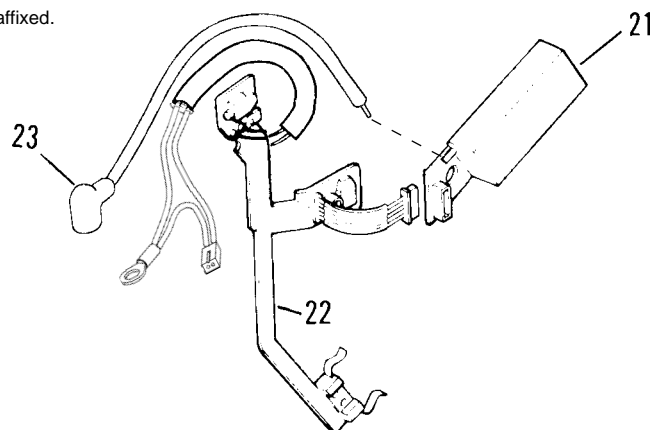
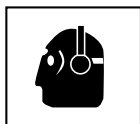
- * Denotes normal wear items
- ** Make sure Warning Labels (#900497,900508) are properly affixed. Replace if necessary. Label is available at no charge through the Service Department.
- ▲ Apply Loctite 242 (Blue) Part No. 093500.
- Apply Loctite RC-620 (Green) Part No. 401491
- Denotes new change.

SAFETY INSTRUCTIONS

WEAR EYE AND HEARING PROTECTION



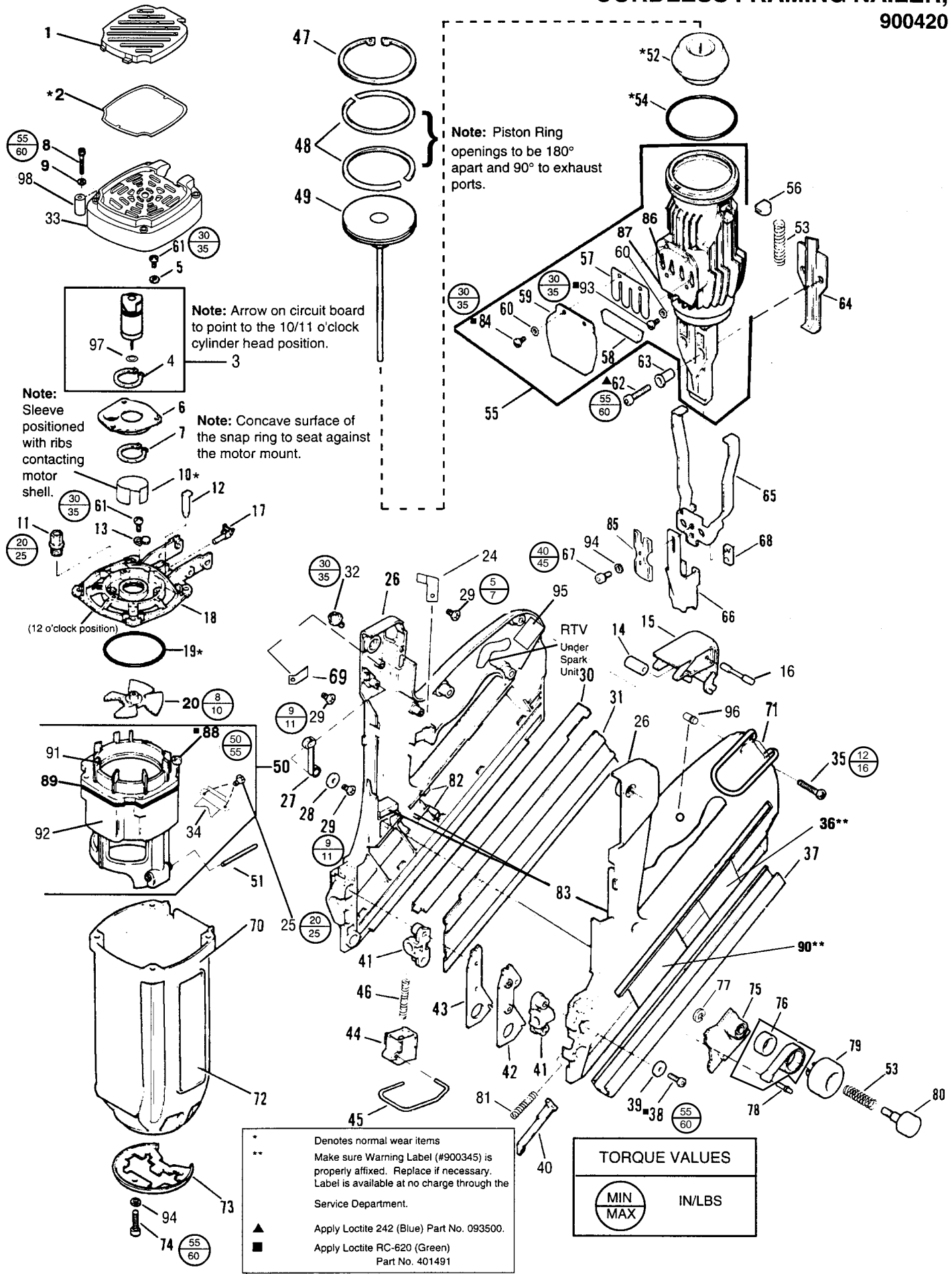
Always wear hearing protection and eye protection devices, including side shields when operating or working in the vicinity of a tool.



⚠ WARNING

All parts must be periodically inspected and replaced if worn or broken. Failure to do this can affect the tool's operation and present a safety hazard.

CORDLESS FRAMING NAILER, 900420



Note: Piston Ring openings to be 180° apart and 90° to exhaust ports.

Note: Arrow on circuit board to point to the 10/11 o'clock cylinder head position.

Note: Concave surface of the snap ring to seat against the motor mount.

Note: Sleeve positioned with ribs contacting motor shell.

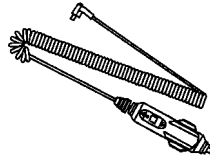
* Denotes normal wear items
 ** Make sure Warning Label (#900345) is properly affixed. Replace if necessary. Label is available at no charge through the Service Department.
 ▲ Apply Loctite 242 (Blue) Part No. 093500.
 ■ Apply Loctite RC-620 (Green) Part No. 401491

TORQUE VALUES	
MIN	IN/LBS
MAX	

ACCESSORIES

Car Adapter

Enables you to re-charge your battery with your vehicle's electrical system.



Part No. 900507

Battery Cell



Part No. 404717

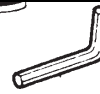
Impulse Oil



Part No. 401482

5/32" Hex Key

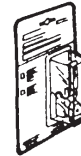
For adjusting work contacting element.



Part No. 401331

No-Mar Work Contacting Element

Rubber tipped WCE to eliminate marring work surface.
(Replacement rubber tip, Part No. 403369)

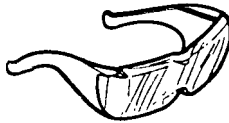


Part No. 404705

Paslode Cordless Nailer Case

Part No. 404710

Clear Safety Glasses



Part No. 402510

Tinted Safety Glasses



Part No. 402512

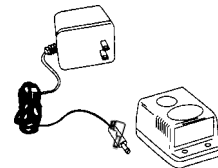
Degreaser Cleaner

Ideal cleaner for all Paslode® tools.

Part No. 219086

Battery Charger Kit

(Replacement Charger Base Only Part No. 900476)
(Replacement Transformer Only Part No. 900477- US/CANADA)



Part No. 900200

(Replacement Transformer Only Part No. 900505 Continental Europe)
(Replacement Transformer Only Part No. 900506 U.K.)
(Replacement Transformer Only Part No. 900504 Australia)



An Illinois Tool Works Company
888 Forest Edge Drive
Vernon Hills, Illinois 60061