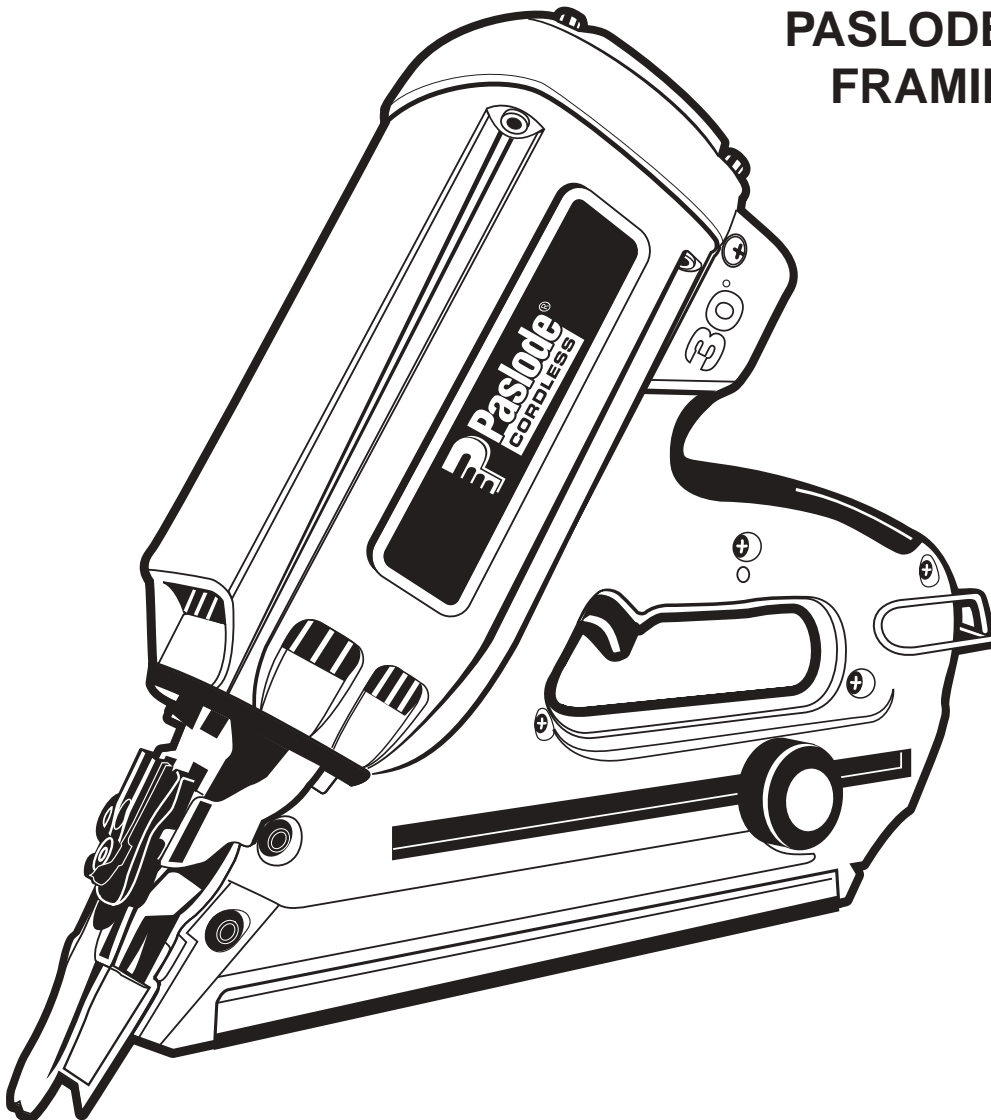


**PASLODE CORDLESS  
FRAMING NAILER**



**TOOL SCHEMATIC AND PARTS**

**IMPORTANT!  
DO NOT DESTROY**

Always refer to operating manual #403608 for detailed information on this tool. It is the customer's responsibility to have all operators and service personnel read and understand this information.

# PARTS LEGEND Paslode CORDLESS FRAMING NAILER, 900420

1	900320	1	Grill	50	900521	1	Combustion Chamber Assembly
*2	900315	1	Filter	51	404827	2	Pin
3	900469	1	Fan Motor Assembly (Includes PC board, washer and flat retaining ring)	*52	404419	1	Bumper
4	900300	1	Retaining Ring (flat)	53	404411	3	Spring
6	900470	1	Motor Mount	54	900934	2	Steel Ring, Sleeve
7	401355	1	Retaining Ring (curved)	55	901204	1	Sleeve Assembly
8	901063	4	Shoulder Screw 10-24 x 1-1/2	56	404464	2	Rubber Stop
*10	401356	1	Motor Sleeve	57	404424	1	Reed Valve
11	900286	1	Spark Plug Assembly, includes O-Ring	58	404422	1	Muffler
12	404428	2	Push Rod	59	404423	1	Muffler Cover
13	404453	1	Bracket, Cylinder Head	61	900596	6	Screw Thread Forming Sems 8-32 x 7/16
14	404432	1	Bushing, Actuator	62	403816	2	Socket Head Capscrew 10-24 x 1-1/8
15	404444	1	Actuator	63	404445	2	Bushing, Shear Block
16	404433	1	Actuator Pin	64	900975	1	Wear Plate, Nose
17	401340	1	Stem Adapter	65	901249	1	Upper Probe
18	900471	1	Cylinder Head Machined	66	901239	1	Lower Probe
*19	403992	1	O-Ring	67	900592	2	S.H.C.S. Sems 10-32 x 1/2
20	403167	1	Fan Blade Assembly	68	401380	1	Tie Bar
21	900474	1	Spark Unit Assembly	70	404704	1	Housing Assembly
22	900475	1	Molded Circuit Assembly	71	901251	1	Utility Hook Assembly
23	900478	1	Spark Plug Contact Assembly	72	404390	2	Label
24	900231	1	Clip, ESU Wire	73	900980	1	Retainer Ring, Sleeve
■ 25	403987	2	Screw Thread Forming 6-32 x 1/4	▲ 74	900593	3	S.H.C.S. Sems 10-24 x 5/8
26	900461	1	Handle Assembly Kit - Right & Left	75	403985	1	Follower
27	404448	1	Roller Lever Assembly	76	900520	1	Follower Bushing Spring Assembly
29	404702	2	Screw Thread Forming 6 x 3/8	77	901202	1	Retaining Ring
30	404436	1	Nail Channel	78	403986	1	Spring Pin
31	404441	1	Cover Plate Magazine	79	403984	1	Follower Guide
32	901222	2	Shoulder Screw 10-32 x 1/2	80	900297	1	Follower Button
33	900465	1	Cap	81	404457	1	Spring
34	404412	1	Wear Plate, Chamber Lock	82	404922	2	Pad, Battery Contact
35	900453	4	Screw Plastite 8-16 x 7/8	83	401450	5	Fuel Cell Pad
** 36	900508	1	Warning Label	85	901240	1	Probe Stop
37	404442	1	Channel Magazine	86	404426	1	Exhaust Baffle
■ 38	900594	4	S.H.C.S. Sems 8 - 32 x 1/2	87	404425	1	Reed Plate
39	901241	1	Spacer	■ 88	900969	4	Torx Screw 8-32 x 5/8
40	404451	1	Lockout Bar, Follower	89	900481	1	O-Ring
41	901203	1	Shear Block	**90	900497	1	Warning Label
42	901238	1	Spring, Flat	91	900372	1	Combustion Chamber Ring
44	404435	1	Trigger	92	404407	1	Combustion Chamber
45	900269	1	Chamber Lock Bar	93	900595	2	Torx Screw Sems 8-32 x 3/8
46	404927	1	Spring, Trigger	95	901260	1	Nameplate
47	401328	1	Retainer ring	96	900427	1	Light Pipe
48	401461	2	Piston Ring	97	900468	1	Washer, Motor Shaft
49	404485	1	Piston Assembly	99	900546	1	Brass Insert
				100	900597	4	Screw Thread Forming Sems 6-19 x 3/8

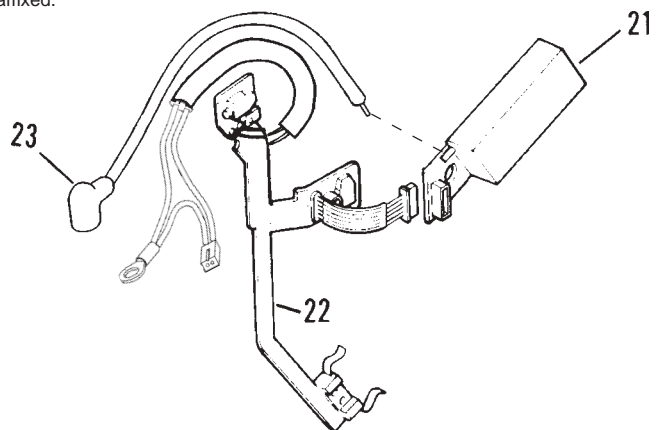
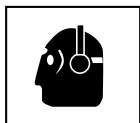
- \* Denotes normal wear items
- \*\* Make sure Warning Labels (#900497,900508) are properly affixed. Replace if necessary. Label is available at no charge through the Service Department.
- ▲ Apply Loctite 242 (Blue) Part No. 093500.
- Apply Loctite RC-620 (Green) Part No. 401491
- Denotes new change.

## SAFETY INSTRUCTIONS

### WEAR EYE AND HEARING PROTECTION



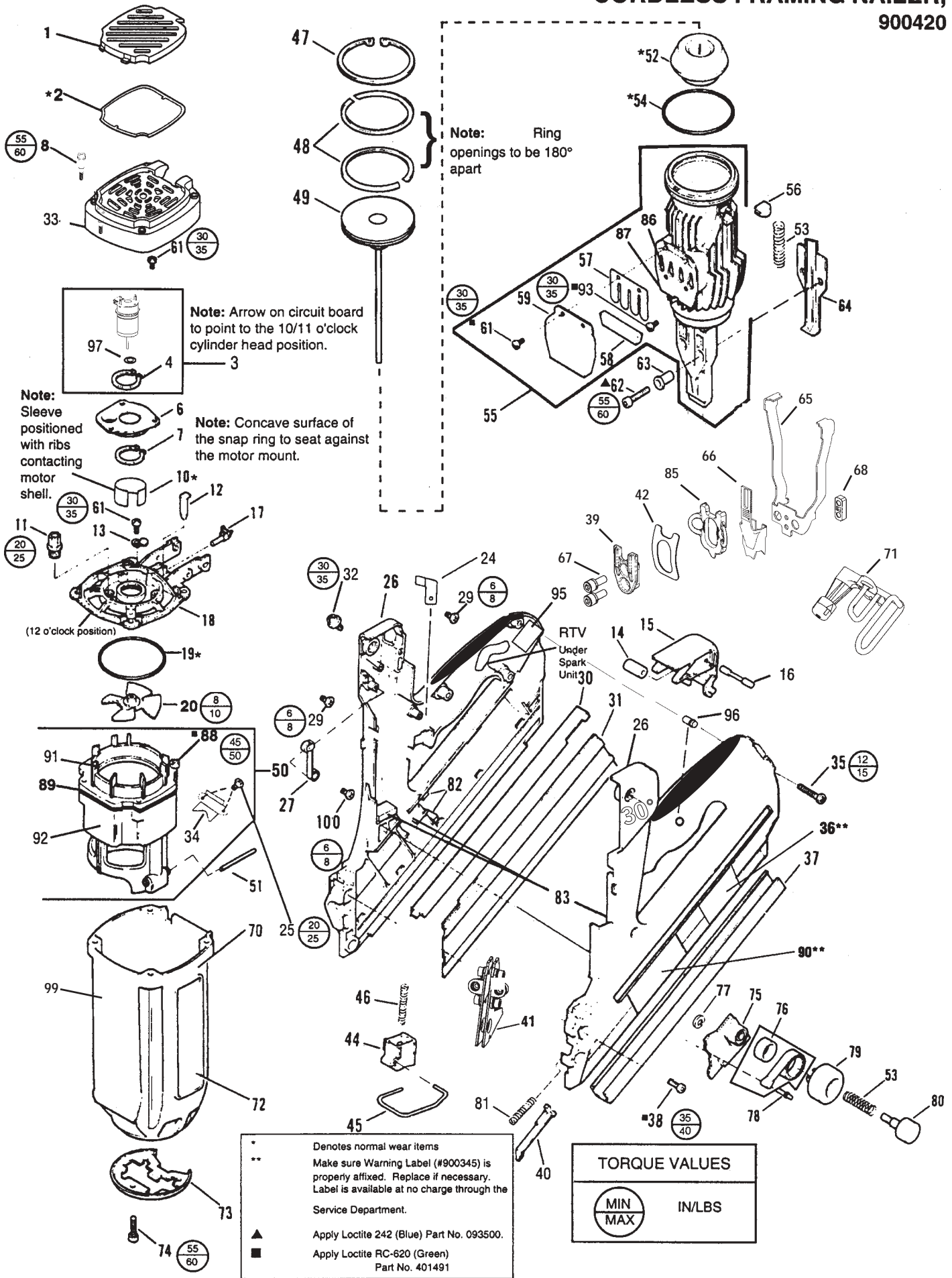
Always wear hearing protection and eye protection devices, including side shields when operating or working in the vicinity of a tool.



### ▲ WARNING

**All parts must be periodically inspected and replaced if worn or broken. Failure to do this can affect the tool's operation and present a safety hazard.**

# CORDLESS FRAMING NAILER, 900420

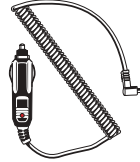


# ACCESSORIES

---

## Car Adapter

Enables you to re-charge your battery with your vehicle's electrical system.



Part No. 900507

---

## Battery Cell



Part No. 404717

---

## Paslode Cordless Oil



Part No. 401482

---

## 5/32" Hex Key

For adjusting work contacting element.

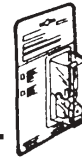


Part No. 401331

---

## No-Mar Work Contacting Element

Rubber tipped WCE to eliminate marring work surface.  
(Replacement rubber tip, Part No. 403369)



Part No. 901252

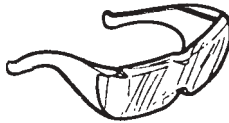
---

## Paslode Cordless Nailer Case

Part No. 404710

---

## Clear Safety Glasses



Part No. 402510

---

## Tinted Safety Glasses



Part No. 402512

---

## Degreaser Cleaner

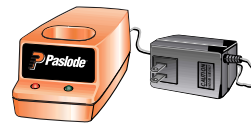
Ideal cleaner for all Paslode® tools.

Part No. 219086

---

## Battery Charger Kit

(Replacement Charger Base Only Part No. 900476)  
(Replacement Transformer Only Part No. 900477- US/CANADA)



Part No. 900200

(Replacement Transformer Only Part No. 900505 Continental Europe)  
(Replacement Transformer Only Part No. 900506 U.K.)  
(Replacement Transformer Only Part No. 900504 Australia)



An Illinois Tool Works Company  
888 Forest Edge Drive  
Vernon Hills, Illinois 60061