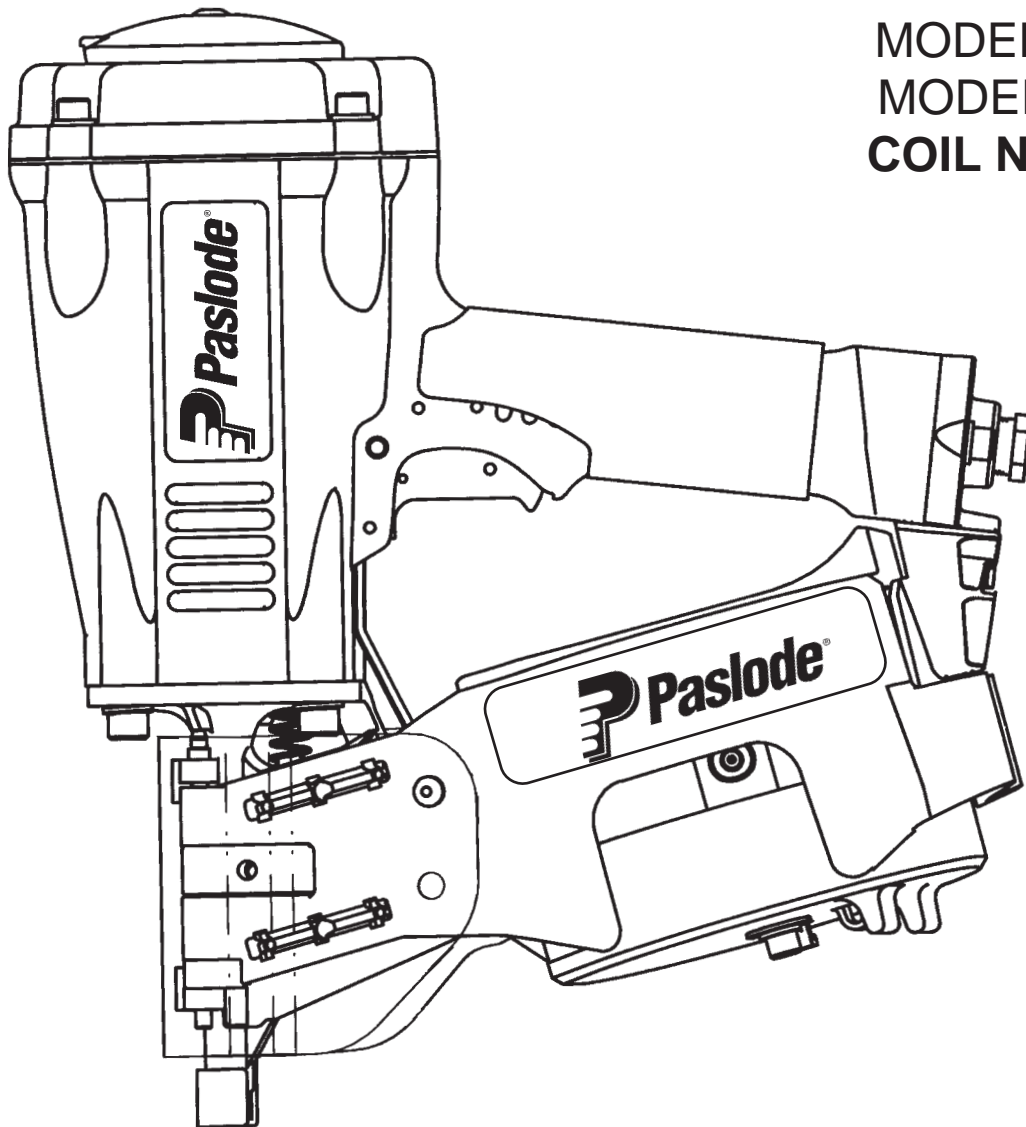




MODEL P275C
MODEL F275C
COIL NAILERS



TOOL SCHEMATIC AND PARTS

IMPORTANT!
DO NOT DESTROY

Always refer to safety and maintenance manual #403606 for detailed information on this tool. It is the customer's responsibility to have all operators and service personnel read and understand this information.

PARTS LEGEND

P275-C, 500750

F275-C, 500760

| | | | | | | | |
|------|--------|---|--------------------------|--------|--------|------------------|--------------------------|
| ▲1 | 501043 | 1 | T.H.S.C.S. 1/4-20 x 1/2" | 39 | 501008 | 1 | Lever, Bottom Trip |
| 2 | 501016 | 1 | Air Deflector | 40 | 501010 | 1 | Trigger |
| 3 | 092735 | 6 | S.H.C.S. 1/4-20 x 1-1/4" | 41 | 402669 | 1 | Pin, Trigger |
| 4 | 092757 | 7 | Flatwasher 1/4" | 42 | 501009 | 1 | Spirol Pin |
| 5 | 500661 | 1 | Cap | 43 | 263239 | 1 | Retaining Ring |
| 6 | 500662 | 1 | Gasket, Cap | 44 | 402018 | 1 | End Cap, Feeder Body |
| 7 | 500754 | 1 | Spacer, Exhaust | 45 | 402084 | 1 | Bumper, Feed Piston |
| 8 | 500744 | 1 | Stop, Piston | 46 | 402024 | 1 | Spring, Feed Claw Piston |
| 9 | 500743 | 1 | Spring, Valve | 47 | 500674 | 1 | Feed Claw Piston |
| 10 | 500742 | 1 | Seat, Spring | *48 | 402031 | 1 | O-Ring |
| *11 | 091986 | 1 | O-Ring | *49 | 091541 | 1 | O-Ring |
| *12 | 092235 | 1 | O-Ring | 50 | 500802 | 1 | Tray Assembly |
| →13 | 500947 | 1 | Piston, Valve | 51 | 500670 | 1 | Nose |
| →14 | 500740 | 1 | REMOVED | 52 | 500673 | 1 | Feed Claw |
| *15 | 500249 | 1 | O-Ring | 53 | 402668 | 2 | Retaining Washer |
| *16 | 091864 | 1 | O-Ring | 54 | 095417 | 4 | Lockwasher |
| 17 | 500664 | 1 | Sleeve | ▲55 | 009016 | 4 | S.H.C.S. 5/16-18 x 1" |
| 18 | 500665 | 1 | Flange, Sleeve | 56 | 500677 | 1 | Hinge Pin |
| *19 | 500813 | 1 | O-Ring | 57 | 500700 | 1 | Spring, Feed Claw |
| *20 | 091023 | 1 | O-Ring | 58 | 402037 | 1 | Holdback |
| 21 | 500663 | 1 | Piston | 59 | 097748 | 2 | Spring |
| ■*22 | 402956 | 1 | Driver Blade | 60 | 402486 | 2 | Retaining Washer |
| *23 | 500751 | 1 | Bumper | 61 | 500675 | 1 | Locator |
| 24 | 501023 | 1 | Grip | 62 | 402487 | 2 | Pivot Pin |
| 25 | 091622 | 1 | Reducing Pipe Bushing | 63 | 500679 | 1 | Magazine |
| 26 | 500668 | 1 | End Cap | 64 | 091733 | 2 | Flexloc Thin Nut |
| *27 | 092042 | 1 | O-Ring | 65 | 005562 | 1 | F.H.S.C.S. 1/4-20 x 5/8" |
| 28 | 500667 | 1 | Housing | 66 | 500812 | 1 | Nail Label |
| 29 | 501018 | 2 | Label, Housing | 67 | 009041 | 1 | S.H.C.S. 1/4 x 3/4" |
| 30 | 404663 | 1 | Spring,W.C.E. | 68 | 500784 | 1 | Nameplate (P275) |
| ▲31 | 004224 | 1 | S.H.C.S. 10-32 x 3/8" | 500789 | 1 | Nameplate (F275) | |
| 32 | 402666 | 1 | Bushing | 69 | 402938 | 1 | Debris Shield |
| 33 | 008388 | 1 | Flat Washer #10 | 70 | 500678 | 1 | Cover, Magazine |
| 34 | 500672 | 1 | W.C.E. (P275) | **71 | 500492 | 1 | Warning Label |
| | 500761 | 1 | Upper W.C.E. (F275) | 72 | 402655 | 1 | Logo, Magazine |
| 35 | 071297 | 3 | Roll Pin | 73 | 500762 | 1 | Lower W.C.E. (F275) |
| 36 | 097746 | 1 | Valve Pin | 74 | 092174 | 1 | O-Ring |
| 37 | 401958 | 1 | Valve Body | 75 | 500199 | 1 | Spring |
| *38 | 094295 | 1 | O-Ring | 76 | 500816 | 1 | Lower W.C.E. |
| | | | | 77 | 500471 | 1 | No-Mar Tip |

*

Denotes normal wear items

**

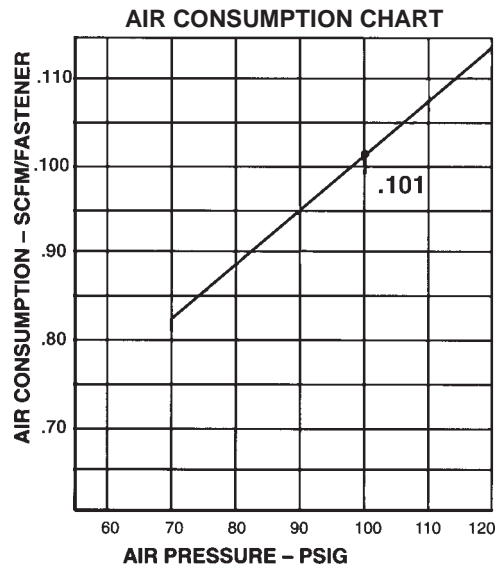
NOTE: Make sure Warning Label (500492) is properly affixed. Replace if necessary. Label available at no charge through Service Department.

▲

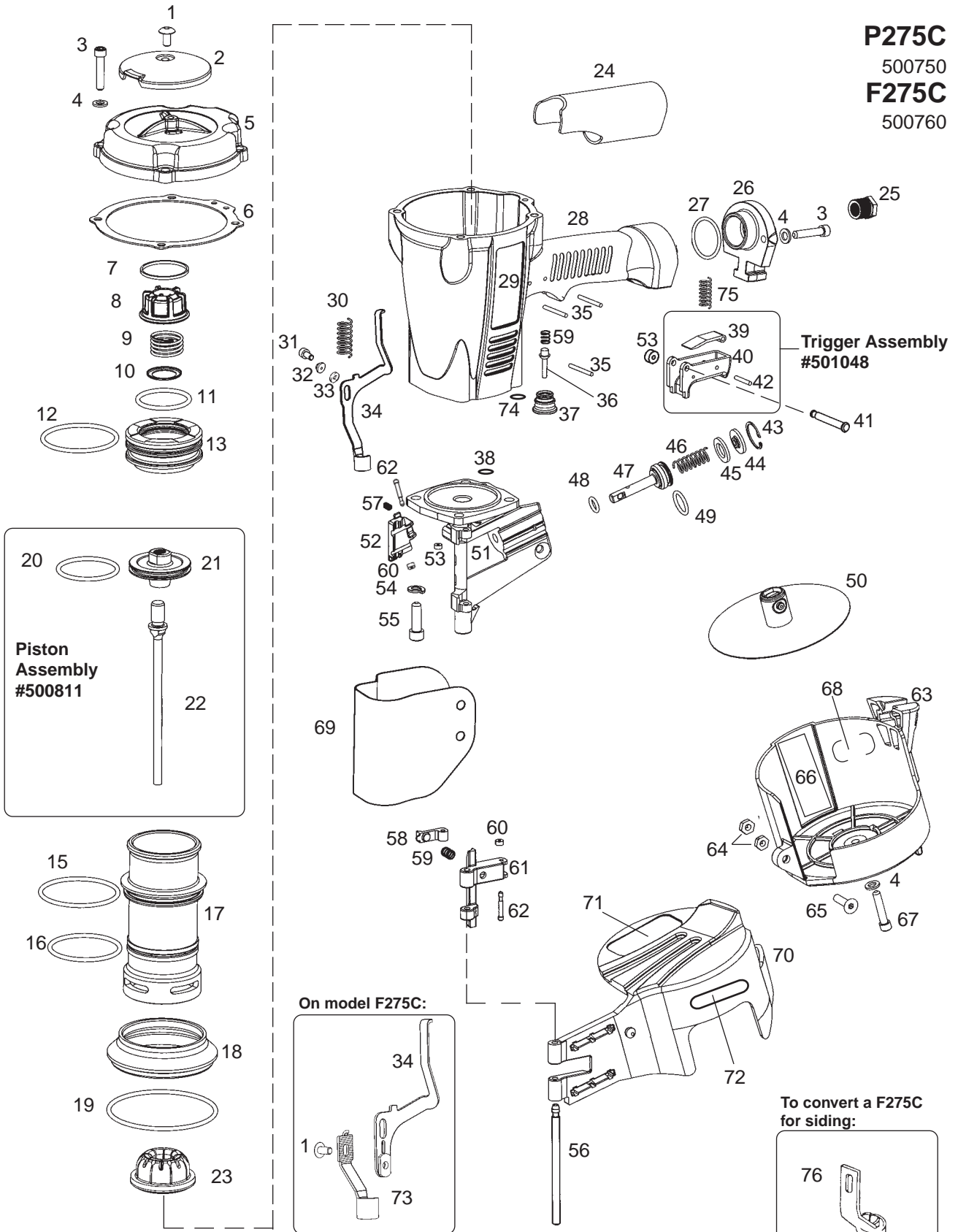
Apply Loctite 242 (Blue) Part No. 093500

■

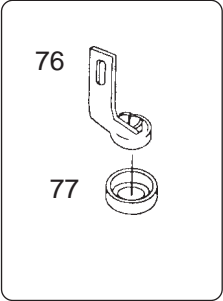
Apply Loctite 680 (Green) Part No. 219241



P275C
500750
F275C
500760



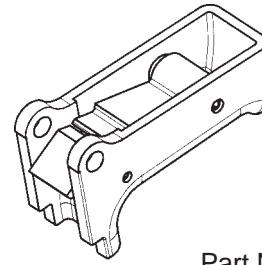
⚠ WARNING
All parts must be periodically inspected and replaced if worn or broken. Failure to do this can affect the tool's operation and present a safety hazard.



ACCESSORIES

Sequential Operating Kit

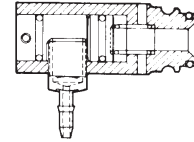
This special attachment is designed for sequential operation (stops "contact" firing). The operator must depress and hold the work contacting element against the work surface before pulling the trigger. This sequence must be repeated each time the tool drives a fastener.



Part No. 501039

Remote Fire Valve

This valve via a positive air signal allows a machine mounted tool to be operated from an automatic air valve or foot pedal system.



Part No. 1X0713

Lubricants and Loctite

Loctite 680 (Green)

Part No. 219241

Loctite 242 (Blue) 1 oz.

Part No. 093500

Chemplex 710 Lubricant 1 lb.

Part No. 403734

→ Lubricating Oil 16 oz.

Part No. 403720

Lubricating Oil 8 oz. with Antifreeze

Part No. 219090

Degreaser Safety Cleaner

Ideal cleaner for all Paslode tools.

Part No. 219086

Belt Hook/Hanger

Part No. 219239

Rafter Hook/Hanger

Part No. 219242

Combination Rafter-Belt/Hanger

Part No. 501073

Safety Glasses

Clear

Part No. 402510

Tinted

Part No. 402512

Hex Key - 3/16" (For model F275C only)

For adjusting work contacting element.

Part No. 500783

→ Large Nylon Tool Bag

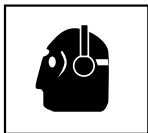
Part No. 219246

SAFETY INSTRUCTIONS

WEAR EYE AND HEARING PROTECTION

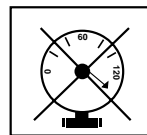


Always wear hearing protection and eye protection devices, including side shields when operating or working in the vicinity of a tool.



Never use any bottled air or gases such as oxygen to operate the tool since they could cause the tool to explode.

DO NOT EXCEED MAXIMUM RECOMMENDED AIR PRESSURE



Operate the tool using only the recommended air pressure. Do not exceed the maximum air pressure marked on the tool. Be sure the air pressure gauge is operating properly and check it at least twice a day.

