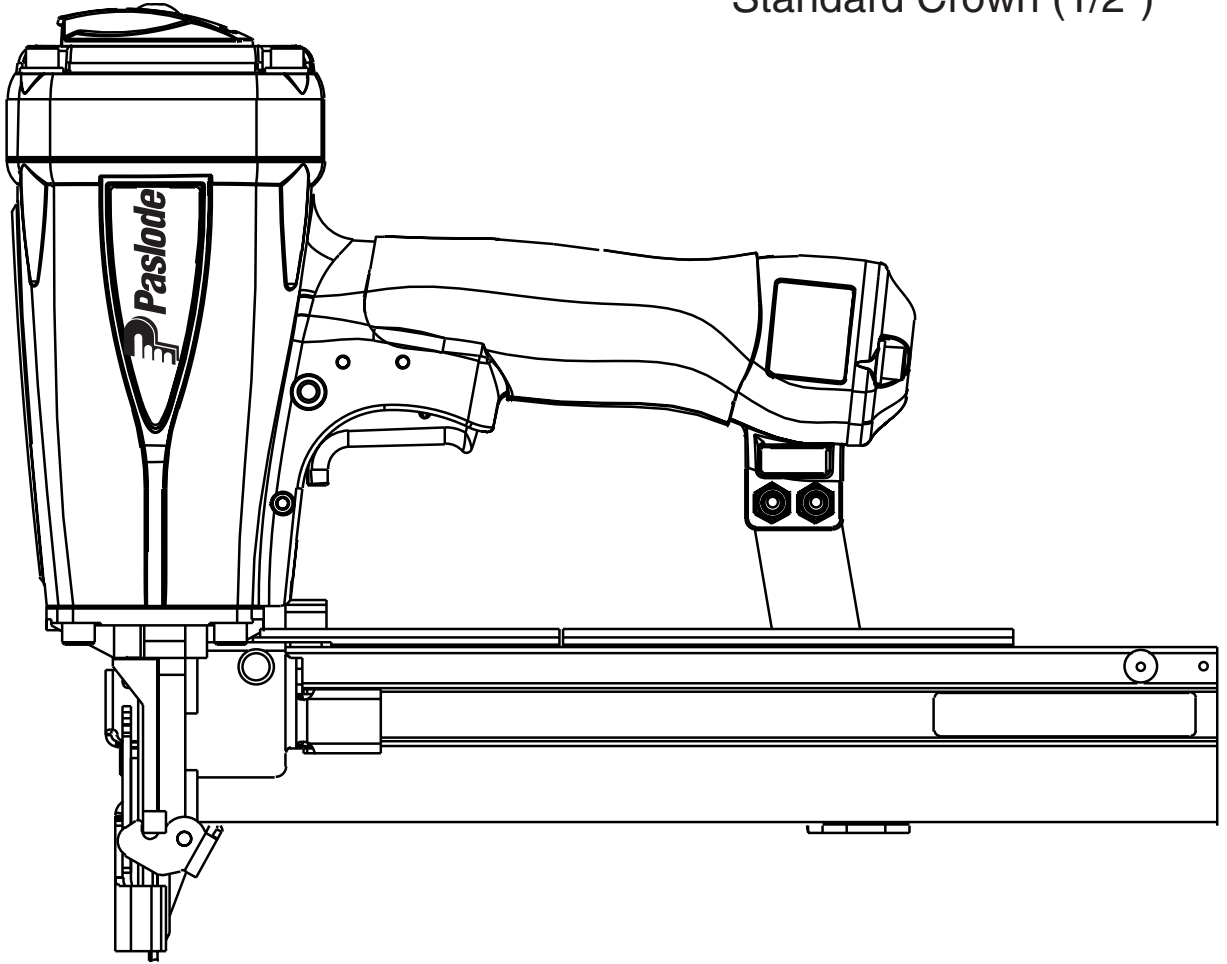




FRAMING STAPLER
MODEL S200-S16
Standard Crown (1/2")



TOOL SCHEMATIC AND PARTS

IMPORTANT!
DO NOT DESTROY

Always refer to safety and operating manuals, #403606, #405218 and #405222 for detailed information on this tool. It is the customer's responsibility to have all operators and service personnel read and understand this information.

PARTS LEGEND

S200-S16, 501230

1	501043	1	T.H.S.C.S. 1/4-20 x 1/2"	44	026133	2	Roll Pin 1/8 x 1
2	500956	1	Cap Diffuser	45	401958	1	Valve Body
3	091362	4	S.H.C.S. 1/4-20 x 1-1/2"	46	402668	2	Retaining Washer
4	092757	4	Flat Washer	47	501008	1	Trigger Lever
5	501231	1	Cap	48	501010	1	Trigger
6	402717	1	Conical Spring	49	501009	1	Roll Pin
* 7	404230	1	Retaining Ring	50	402669	1	Trigger Pin
8	501250	1	Upper Valve Piston	51	092037	4	Locknut
* 9	091542	1	O-Ring	▲ 52	004502	2	S.H.C.S. 10-32 x 5/8"
10	404054	1	Seal, Main Valve	53	402781	1	Rail Bracket
11	404056	1	Lower Valve Piston	▲ 54	004224	3	S.H.C.S.10-32 x 3/8"
* 12	090927	1	O-Ring, Main Valve	55	402743	1	Pin Negator Drum
* 13	092775	1	O-Ring, Main Valve	56	091534	1	Drum, Negator
* 14	092773	1	O-Ring, Main Valve	57	091532	1	Negator
* 15	404256	2	O-Ring	▲ 58	091568	1	Bd. Head Screw 6-32 x 1/4"
16	500954	1	Post, Main Valve	59	402796	1	Follower
17	015660	1	S.H.C.S. 10-24 x 1/2"	60	402797	1	Retaining Bushing
18	403582	1	Driver Blade Nut	61	402798	1	Latch Follower Button
* 19	405430	1	O-Ring, Piston	62	402799	1	Spring Follower Latch
20	501169	1	Piston	63	402740	2	Roll Pin 3/32 x 7/16
* 21	403202	1	Driver Blade	64	402780	1	Pivot Rail Cover Assembly
22	501322	1	Sleeve Retainer	65	501226	1	Nameplate
23	402725	1	Seal Sleeve	66	403427	1	Rail & Rail Cover Assembly
24	405243	1	Flange Sleeve	** 67	500459	1	Warning Label
25	501228	1	Sleeve	68	404698	2	Roll Pin Assembly
* 26	402728	1	O-Ring, Sleeve	69	402730	1	Pivot Pin Front Guide
* 27	091966	1	O-Ring, Sleeve	70	405079	1	Spring Front Guide Latch
* 28	500369	2	O-Ring, Sleeve	71	403206	1	Latch Front Guide
29	501227	1	Bumper Retainer	72	092176	1	Roll Pin 5/32 x 1-3/8"
30	500975	1	Gasket Cap	73	403205	1	Back Plate
31	501140	1	Logo Housing Left	74	404232	2	S.H.C.S. 8-32 x 13/16"
32	501141	1	Logo Housing Right	75	403204	1	Front Guide
33	402708	1	Gasket Nose Flange	76	402734	1	Spring
34	501229	1	Bumper	77	402792	1	Upper W.C.E.
35	402785	1	Seal Driver Blade	78	402629	1	Hardened Washer
36	402706	1	Flange	79	403716	2	S.H.C.S. 10-32 x 5/16"
37	091545	4	S.H.C.S. 1/4-20 x 7/8"	80	403207	1	Lower W.C.E.
38	501023	1	Grip Handle	81	402736	1	Flat Washer
39	500957	1	Housing	82	402738	1	Spring
40	500963	1	End Plug	83	501320	1	Guide Block
41	097748	1	Spring Valve Pin	84	501243	1	Intermediate W.C.E.
42	097746	1	Valve Pin	85	071297	1	Roll Pin 1/8 x 1-1/8"
* 43	092174	1	O-Ring, Valve Body	86	501299	2	S.H.C.S. 1/4-20 x 1"

* Denotes normal wear items.

** Make sure warning label (500459) is properly affixed. Replace if necessary. Label available at no charge through the Service Dept.

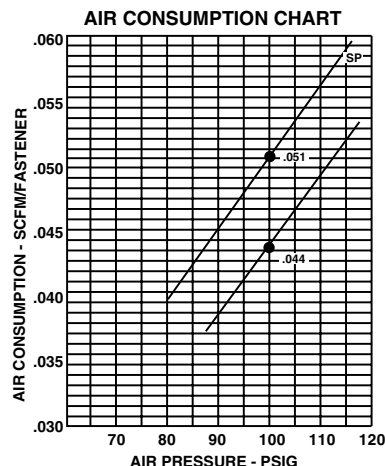
▲ Apply Loctite 242 (Blue)

→ Denotes new change

Fastener sizes:

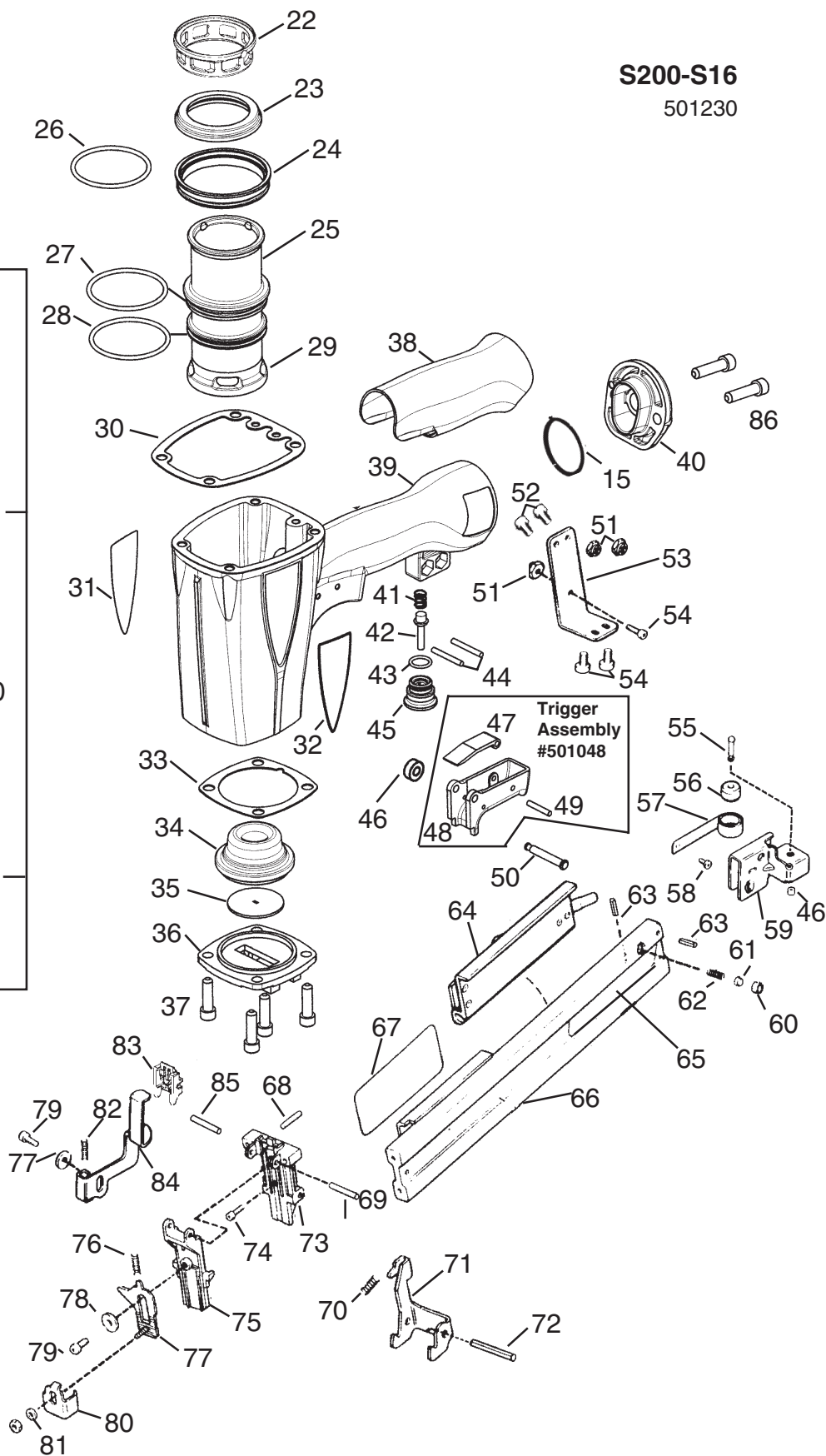
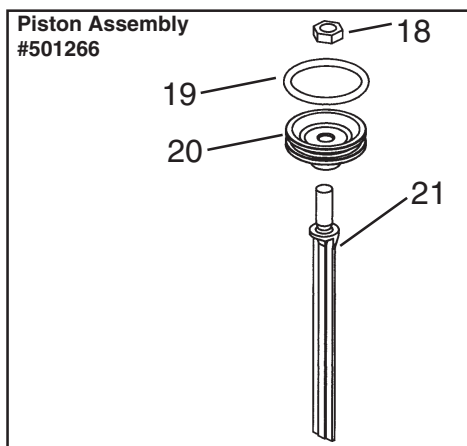
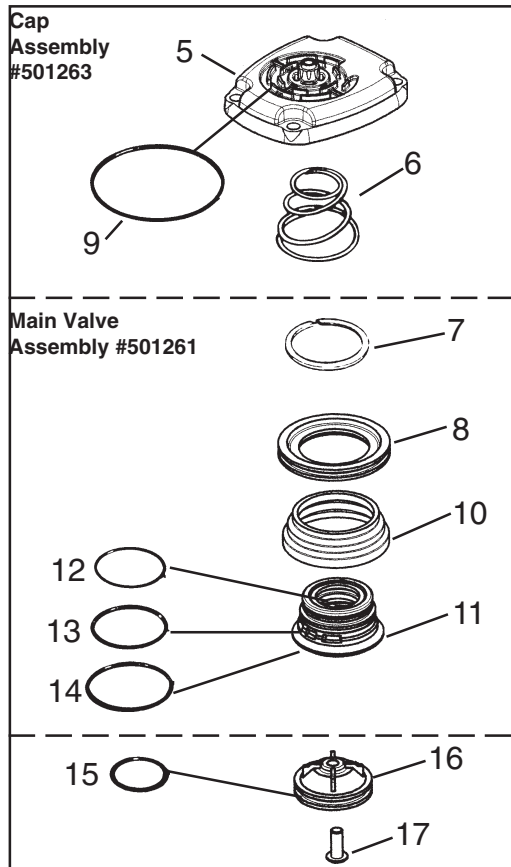
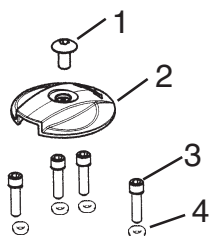
Length: 3/4" to 2"

Gauge & Crown: 16 ga. 1/2 Crown



S200-S16

501230



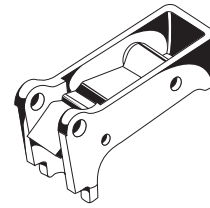
⚠ WARNING

All parts must be periodically inspected and replaced if worn or broken. Failure to do this can affect the tool's operation and present a safety hazard.

ACCESSORIES

Sequential Operating Kit

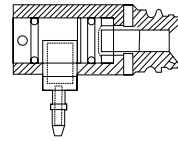
This special attachment is designed for sequential operation (stops "contact" firing). The operator must depress and hold the work contacting element against the worksurface before pulling the trigger. This sequence must be repeated each time the tool drives a fastener.



Part No. 501039

Remote Fire Valve

This valve via a positive air signal allows a machine mounted tool to be operated from an automatic air valve or foot pedal system.



Part No. 1X0713

Lubricants and Loctite

Chemplex 710 Lubricant 1 lb.

Part No. 403734

Lubricant 5 gram tubes

Part No. 219188

Loctite 242 (Blue) 1 oz.

Part No. 093500

Lubricating Oil 16 oz.

Part No. 403720

Lubricating Oil 8 oz. with Antifreeze

Part No. 219090



Belt Hook

Attaches to tool enabling you to carry tool on belt holder (offered below).

Part No. 500955

Belt Hook Holder

Attaches to work belt and carries tool using the above belt hook.

Part No. 219028

Large Nylon Tool Bag

Part No. 219246

Safety Glasses

Clear

Part No. 402510

Tinted

Part No. 402512

Vinyl Siding Work Contacting Element

This attachment allows the WCE to be adjusted to ensure the gap between the staple and siding. This enables positive placement of staple leg in center of siding slot which eliminates cracking.



Part No. 219051

Trigger Valve Repair Kit

This kit repairs all trigger valve air leaks.

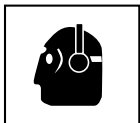
Part No. 219224

SAFETY INSTRUCTIONS

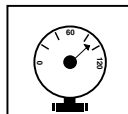
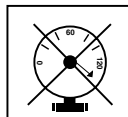
WEAR EYE AND HEARING PROTECTION



Always wear hearing protection and eye protection devices, including side shields when operating or working in the vicinity of a tool.



Never use any bottled air or gases such as oxygen to operate the tool since they could cause the tool to explode.



DO NOT EXCEED MAXIMUM RECOMMENDED AIR PRESSURE

Operate the tool using only the recommended air pressure. Do not exceed the maximum air pressure marked on the tool. Be sure the air pressure gauge is operating properly and check it at least twice a day.



An Illinois Tool Works Company
888 Forest Edge Drive
Vernon Hills, Illinois 60061