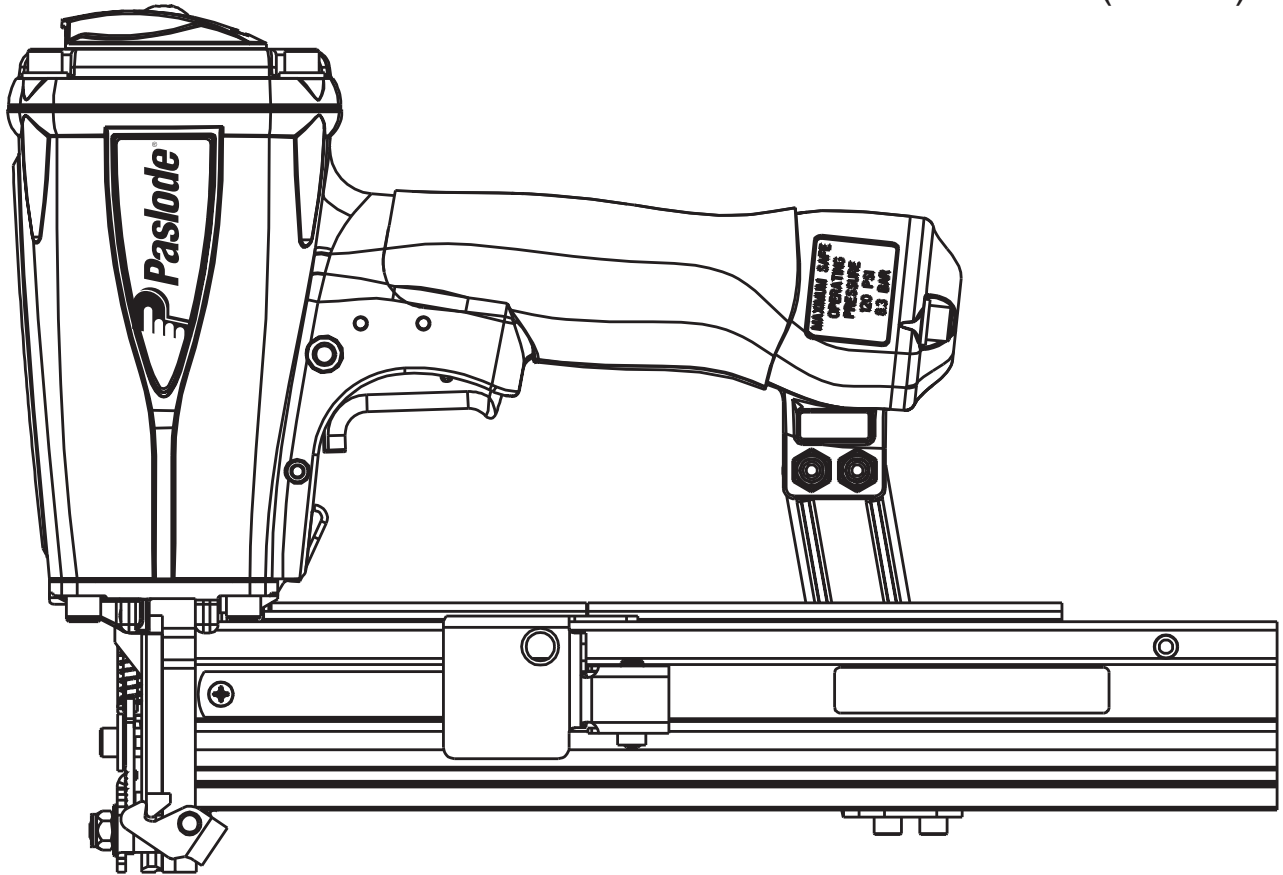




INSULATION SHEATHING STAPLER

MODEL S200 W16

WIDECROWN (15/16")



TOOL SCHEMATIC AND PARTS

IMPORTANT!

DO NOT DESTROY

Always refer to safety and operating manuals, #403606, #405218 and #405222 for detailed information on this tool. It is the customer's responsibility to have all operators and service personnel read and understand this information.

PARTS LEGEND

S200 W16, 501265

| | | | | | | | |
|------|--------|---|--------------------------|------|--------|---|----------------------------|
| 1 | 501043 | 1 | T.H.S.C.S. 1/4-20 x 1/2" | 43 | 026133 | 2 | Roll Pin 1/8 x 1 |
| 2 | 500956 | 1 | Cap Diffuser | 44 | 401958 | 1 | Valve Body |
| 3 | 501299 | 6 | S.H.C.S. 1/4-20 x 1" | 45 | 402668 | 3 | Retaining Washer |
| 4 | 501254 | 1 | Cap | 46 | 501008 | 1 | Trigger Lever |
| 5 | 402717 | 1 | Conical Spring | 47 | 501010 | 1 | Trigger |
| *6 | 404230 | 1 | Retaining Ring | 48 | 501009 | 1 | Roll Pin |
| 7 | 501250 | 1 | Upper Valve Piston | 49 | 402669 | 1 | Trigger Pin |
| *8 | 091542 | 1 | O-Ring | 50 | 092037 | 5 | Locknut |
| 9 | 404054 | 1 | Seal, Main Valve | ▲ 51 | 004502 | 4 | S.H.C.S. 10-32 x 5/8" |
| 10 | 404056 | 1 | Lower Valve Piston | 52 | 402781 | 1 | Rail Bracket |
| *11 | 090927 | 1 | O-Ring, Main Valve | ▲ 53 | 004224 | 2 | S.H.C.S.10-32 x 3/8" |
| *12 | 092775 | 1 | O-Ring, Main Valve | 54 | 402743 | 1 | Pin Negator Drum |
| *13 | 092773 | 1 | O-Ring, Main Valve | 55 | 091534 | 1 | Drum, Negator |
| *14 | 404256 | 2 | O-Ring | *56 | 091532 | 1 | Negator |
| 15 | 500954 | 1 | Post, Main Valve | ▲ 57 | 091568 | 1 | Bd. Head Screw 6-32 x 1/4" |
| 16 | 015660 | 1 | S.H.C.S. 10-24 x 1/2" | 58 | 402760 | 1 | Follower |
| 17 | 403582 | 1 | Driver Blade Nut | 59 | 402486 | 1 | Retaining Washer |
| 18 | 405430 | 1 | O-Ring, Piston | 60 | 402758 | 1 | Latch Follower Button |
| 19 | 501252 | 1 | Piston | 61 | 402759 | 1 | Spring Follower Latch |
| *20 | 404182 | 1 | Driver Blade | 62 | 402740 | 1 | Roll Pin 3/32 x 7/16 |
| 21 | 501322 | 1 | Sleeve Retainer | 63 | 402780 | 1 | Pivot Rail Cover Assembly |
| 22 | 402725 | 1 | Seal Sleeve | 64 | 501291 | 1 | Nameplate |
| 23 | 405243 | 1 | Flange Sleeve | 65 | 404849 | 1 | Rail & Rail Cover Assembly |
| 24 | 501251 | 1 | Sleeve | **66 | 500459 | 1 | Warning Label |
| *25 | 402728 | 1 | O-Ring, Sleeve | 67 | 404698 | 2 | Roll Pin Assembly |
| *26 | 091966 | 1 | O-Ring, Sleeve | 68 | 402730 | 1 | Pivot Pin Front Guide |
| *27 | 500369 | 2 | O-Ring, Sleeve | 69 | 405079 | 1 | Spring Front Guide Latch |
| 28 | 501227 | 1 | Bumper Retainer | 70 | 501208 | 1 | Latch Guide - |
| 29 | 500975 | 1 | Gasket Cap | 71 | 501209 | 1 | Latch Pin |
| 30 | 501140 | 1 | Logo Housing Left | 72 | 501206 | 1 | Back Plate |
| 31 | 501141 | 1 | Logo Housing Right | 73 | 501212 | 1 | Front Guide |
| 32 | 402708 | 1 | Gasket Nose Flange | *74 | 402734 | 1 | Spring W.C.E. |
| 33 | 501229 | 1 | Bumper | 75 | 402763 | 1 | Upper W.C.E. |
| 34 | 402754 | 1 | Seal Driver Blade | 76 | 402629 | 2 | Hardened Washer |
| 35 | 402706 | 1 | Flange Nose | 77 | 403716 | 2 | S.H.C.S. 10-32 x 5/16" |
| 36 | 091545 | 4 | S.H.C.S. 1/4-20 x 7/8" | 78 | 402608 | 1 | Lower W.C.E. |
| 37 | 501023 | 1 | Grip Handle | 79 | 402736 | 1 | Flat Washer #10 |
| 38 | 500957 | 1 | Housing | *80 | 402738 | 1 | Spring |
| ▲ 39 | 500963 | 1 | End Plug | 81 | 501320 | 1 | Guide Block |
| 40 | 097748 | 1 | Spring Valve Pin | 82 | 071297 | 1 | Roll Pin 1/8 x 1-1/8" |
| 41 | 097746 | 1 | Valve Pin | 83 | 501244 | 1 | Intermediate W.C.E. |
| *42 | 092174 | 1 | O-Ring, Valve Body | | | | |

* Denotes normal wear items.

** Make sure warning label (500459) is properly affixed. Replace if necessary. Label available at no charge through the Service Dept.

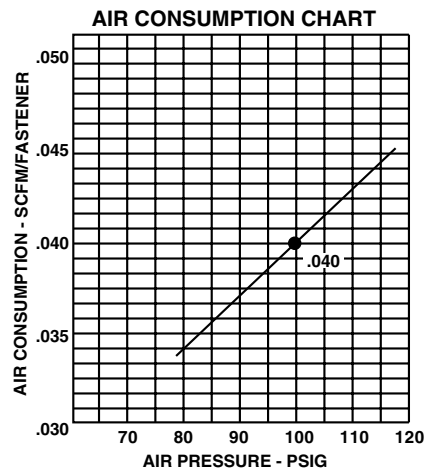
▲ Apply Loctite 242 (Blue) Part No. 093500

→ Denotes new change.

Fastener sizes:

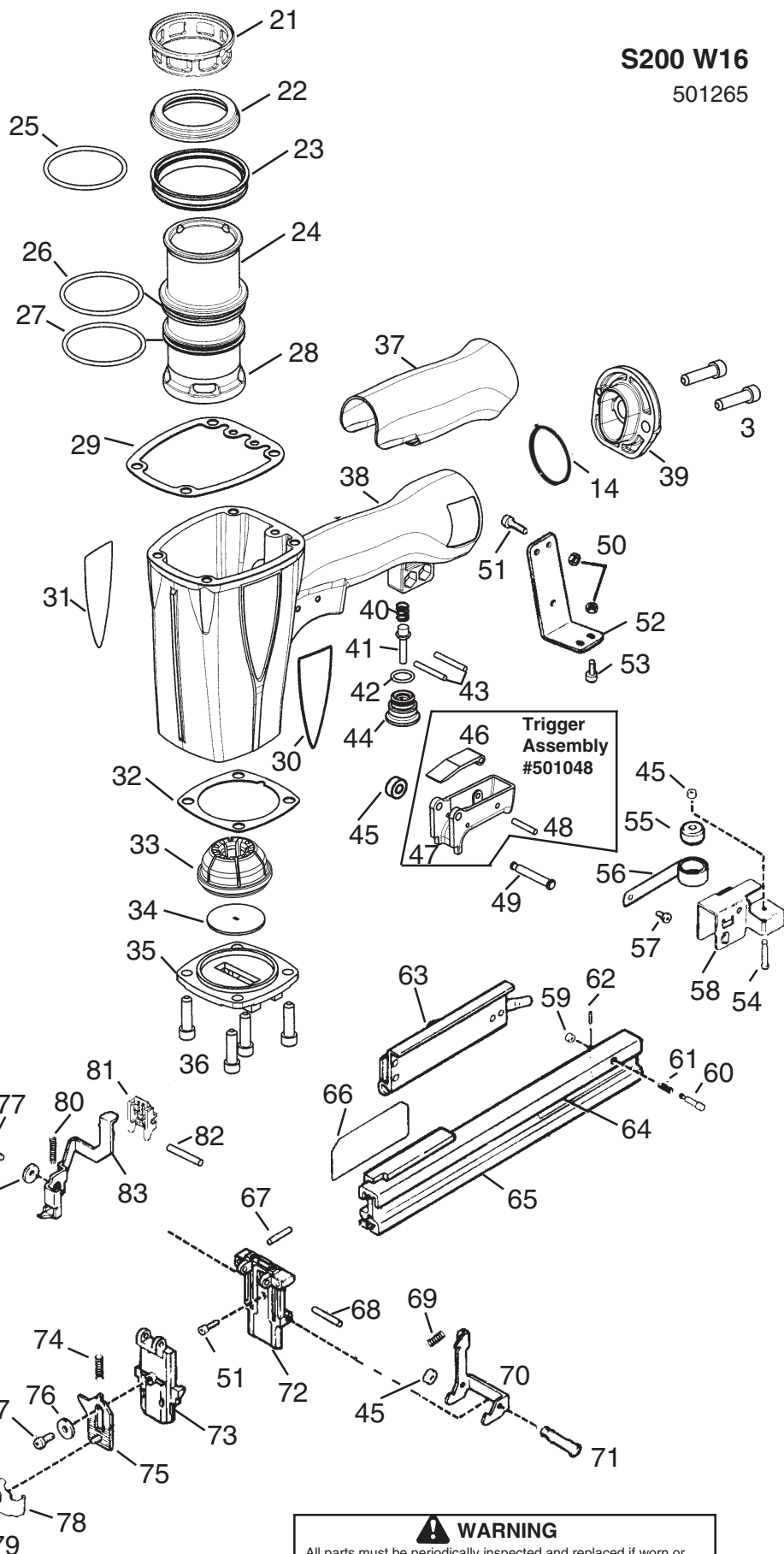
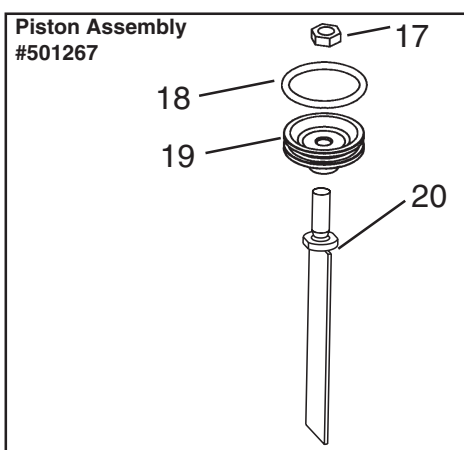
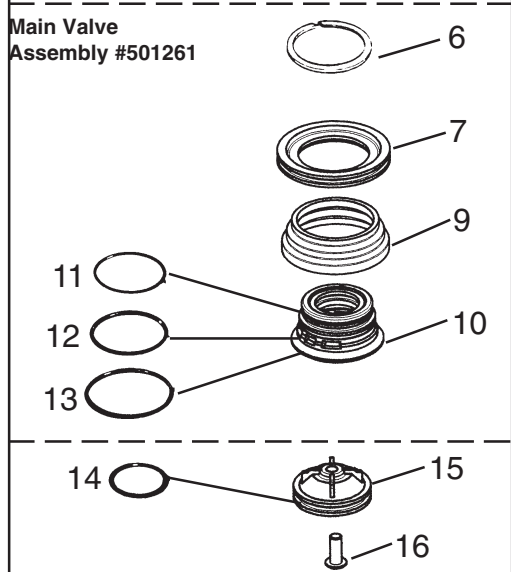
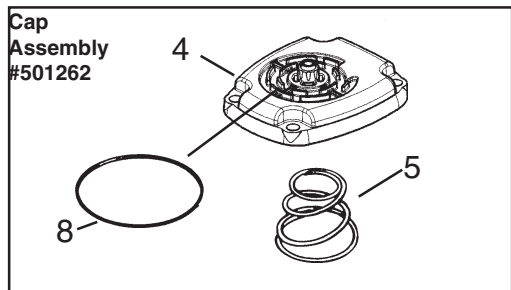
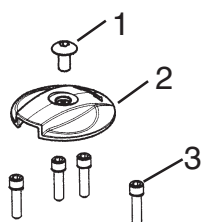
Length: 3/4" to 2"

Gauge & Crown: 16 ga. 15/16 Crown



S200 W16

501265

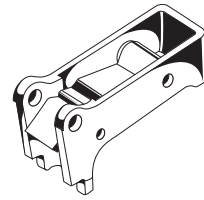


WARNING
All parts must be periodically inspected and replaced if worn or broken. Failure to do this can affect the tool's operation and present a safety hazard.

ACCESSORIES

Sequential Operating Kit

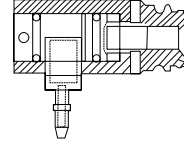
This special attachment is designed for sequential operation (stops "contact" firing). The operator must depress and hold the work contacting element against the worksurface before pulling the trigger. This sequence must be repeated each time the tool drives a fastener.



Part No. 501039

Remote Fire Valve

This valve via a positive air signal allows a machine mounted tool to be operated from an automatic air valve or foot pedal system.



Part No. 1X0713

Large Nylon Tool Bag

Part No. 219246



Safety Glasses

Clear



Part No. 402510

Tinted



Part No. 402512

Belt Hook

Attaches to tool enabling you to carry tool on belt holder.

Part No. 500955

Belt Hook Holder

Attaches to work belt and carries tool using the above belt hook.

Part No. 219028

Wide Crown Stapler Repair Kit

This kit repairs all air leaks except for the trigger valve.

Part No. 219222

Trigger Valve Repair Kit

This kit repairs all trigger valve air leaks.

Part No. 219224

Lubricants and Loctite

Lubricant 1 lb.

Part No. 403734

Lubricant 5 gram tubes

Part No. 219188

Loctite 242 (Blue) 1 oz.

Part No. 093500

Lubricating Oil 16 oz.

Part No. 403720

Lubricating Oil 8 oz. with Antifreeze

Part No. 219090

Degreaser Cleaner

Ideal cleaner for all Paslode tools.

Part No. 219086

Adjustable Foam Contacting Element

Part No. 402997 ←

Rear Activating Contacting Element

Part No. 1x1026 ←

SAFETY INSTRUCTIONS

WEAR EYE AND HEARING PROTECTION

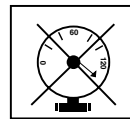
DO NOT EXCEED MAXIMUM
RECOMMENDED AIR PRESSURE



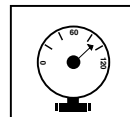
Always wear hearing protection and eye protection devices, including side shields when operating or working in the vicinity of a tool.



Never use any bottled air or gases such as oxygen to operate the tool since they could cause the tool to explode.



Operate the tool using only the recommended air pressure. Do not exceed the maximum air pressure marked on the tool. Be sure the air pressure gauge is operating properly and check it at least twice a day.



An Illinois Tool Works Company
888 Forest Edge Drive
Vernon Hills, Illinois 60061