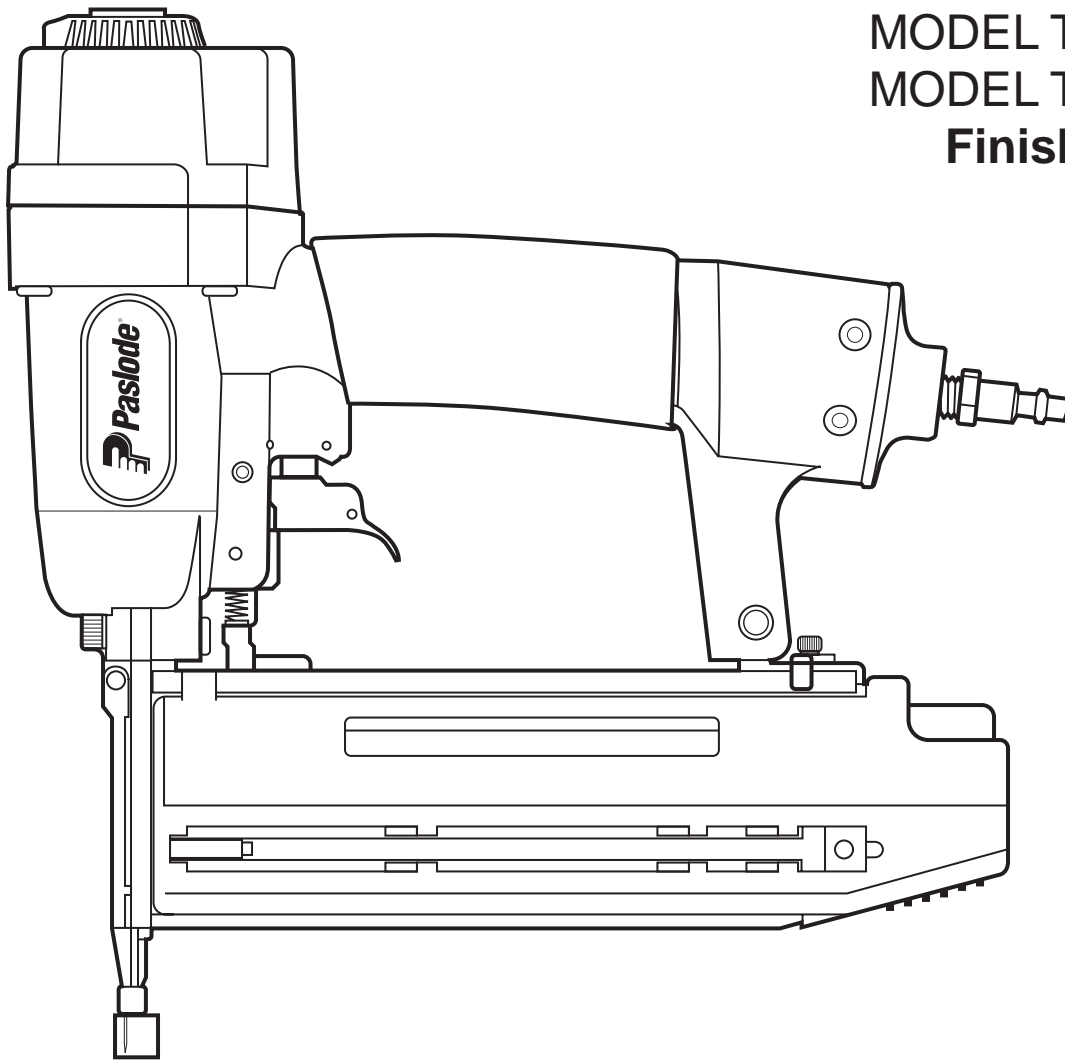




MODEL T200-F18  
MODEL T125-F18  
**Finish Nailers**



**IMPORTANT!**  
**DO NOT DESTROY**

It is the customer's responsibility to have all operators and service personnel read and understand this manual.

**OPERATING MANUAL AND  
SCHEMATIC**

# PARTS LEGEND

T200-F18, 500959

T125-F18, 501161

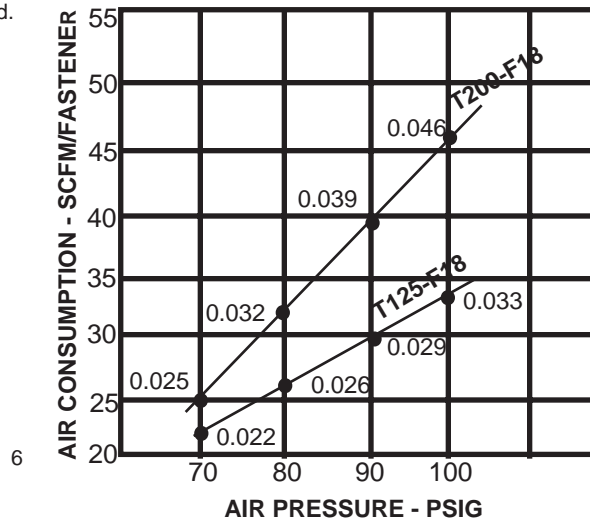
1	500976	1	Deflector	43	501100	1	Flat Bar (T200)
2	500977	1	Bolt w/ Flat Washer	44	501180	1	Flat Bar (T125)
3	500978	1	Hex Soc. Hd. Screw	45	501101	1	Bolt Assembly
4	500979	1	Cap (T200)	46	501102	1	Stop
	501170	1	Cap (T125)	47	501103	1	Bracket (T200)
5	500980	1	Seal		501187	1	Bracket (T125)
6	500981	1	Compression Spring	48	501104	1	Follower (T200)
* 7	500982	1	O-Ring		501181	1	Follower (T125)
* 8	500983	1	O-Ring	49	501105	1	Shaft
* 9	500984	1	Head Valve Piston	50	501106	1	Follower Spring (T200)
10	500985	1	O-Ring		501183	1	Follower Spring (T125)
11	500986	1	Gasket, Cap	51	501107	1	Moveable Magazine (T200)
*12	500987	1	Piston Ring		501182	1	Moveable Magazine (T125)
*13	500988	1	O-Ring	52	501108	1	Spring Cover
*14	500989	1	Piston Assembly (T200)		501109	1	Latch (T200)
	501171	1	Piston Assembly (T125)		501184	1	Latch (T125)
15	500990	1	Cylinder (T200)	53	501110	1	Latch Pin (T200)
	501172	1	Cylinder (T125)		501185	1	Latch Pin (T125)
*16	500991	1	O-Ring	54	501111	1	Lock Spring
*17	500992	1	Cylinder Ring	55	501112	1	Latch Cover (T200)
18	500993	1	Bumper		501186	1	Latch Cover (T125)
19	500994	1	Driver Guide (T200)	56	501113	1	Tap Bolt
	501173	1	Driver Guide (T125)	57	501191	1	W.C.E. Guide
20	500995	1	O-Ring	58	501115	1	Roll Pin
21	500996	1	Trigger Valve Head	59	501192	1	W.C.E. Spring
22	500997	1	Spring	60	501193	1	Upper W.C.E.
23	500998	1	Plunger	61	501174	1	E-Ring
24	500999	1	O-Ring	62	501175	1	Interm. W.C.E. (T200)
25	501082	1	O-Ring		501195	1	Interm. W.C.E. (T125)
26	501083	1	Plunger Cap	63	501120	1	Lower W.C.E. (T200)
27	501084	1	Roll Pin		501196	1	Lower W.C.E. (T125)
28	501085	1	Trigger Lever	64	501121	1	Protective Tip
29	501086	1	Trigger	65	501122	1	Anchor Block
30	501087	1	Roll Pin	66	501123	1	Magazine Spacer
31	501088	1	Trigger Pivot Pin	67	501124	1	Lock Spring
32	501089	1	Urethane Retainer	68	501125	1	Latch
33	501090	1	Housing Assembly	69	501126	1	Flat Washer
34	501091	1	Air Plug	70	501127	1	Hex Soc Hd Bolt
35	501092	1	Dust Cover	71	501128	1	Bolt Assembly
36	501093	1	Bolt Assembly (T200)	72	501188	1	W.C.E. Stop
	501176	1	Bolt Assembly (T125)	73	501130	1	Hex Soc Hd Bolt
37	501094	1	Front Cover	74	501131	1	Lock Nut
38	501095	1	Front Guide (T200)	75	500492	1	Warning Label (T200)
	501177	1	Front Guide (T125)		501197	1	Warning Label (T125)
39	501096	1	Fixed Pin	76	501134	1	Magazine Label (T200)
40	501097	1	Hex Soc Hd Bolt		501198	1	Magazine Label (T125)
41	501098	1	Back Plate (T200)	77	501135	2	Housing Label
	501178	1	Back Plate (T125)	78	501189	1	Hex Socket Button Hd Bolt
42	501099	1	Fixed Magazine (T200)	79	501190	1	Stop
	501179	1	Fixed Magazine (T125)	80	501194	1	Adjuster

\* Denotes Normal Wear Items.

\*\* Make sure Warning Label (500492 or 501197) is properly affixed. Replace if necessary.

Label available at no charge through the Service Parts Dept.

▲ Apply Loctite 242 (Blue) Part No. 093500.

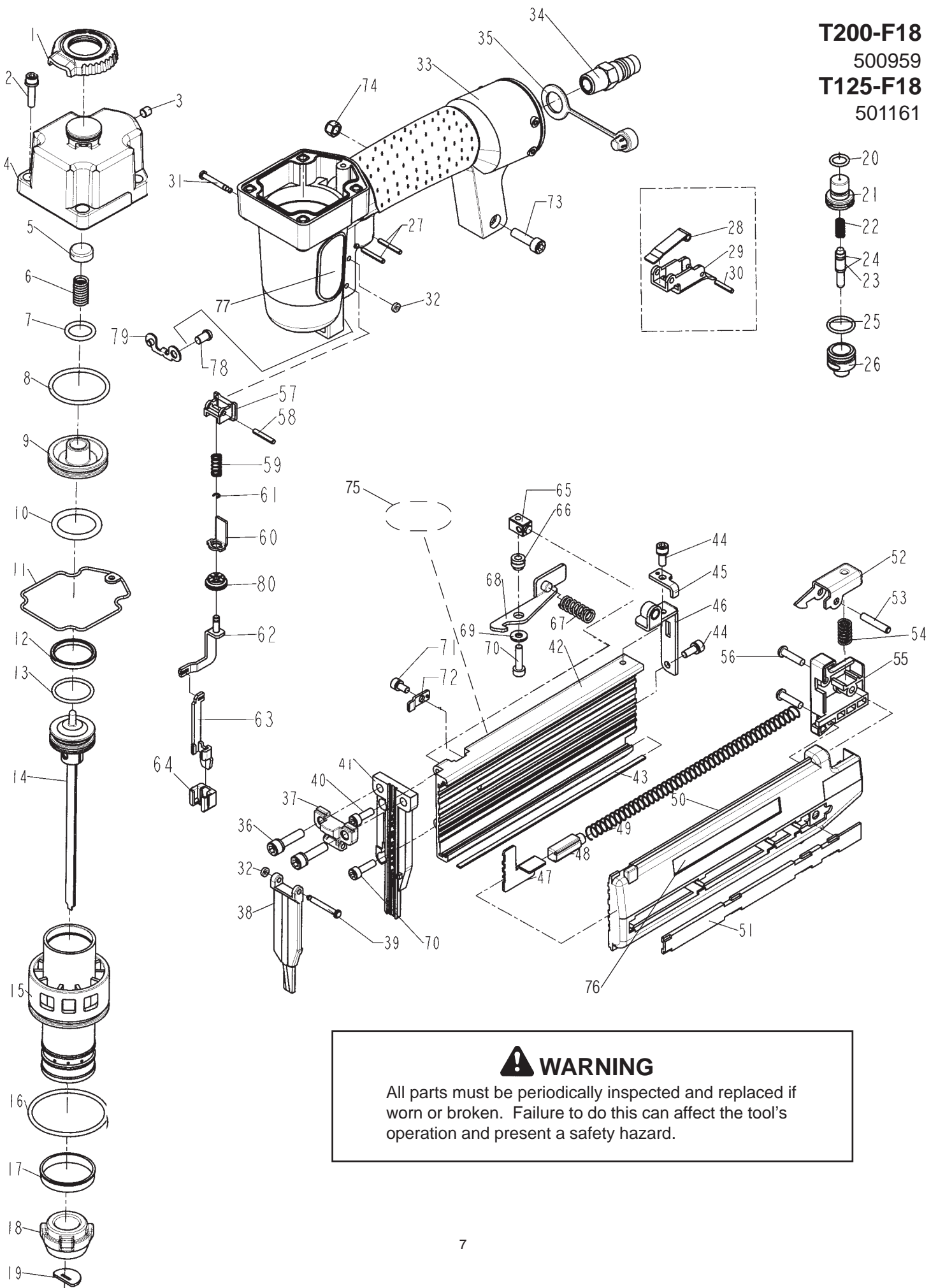


**T200-F18**

500959

**T125-F18**

501161

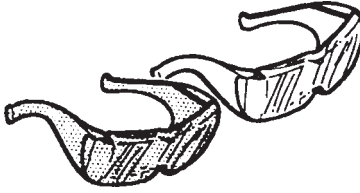


**⚠ WARNING**  
All parts must be periodically inspected and replaced if worn or broken. Failure to do this can affect the tool's operation and present a safety hazard.

# ACCESSORIES

## Safety Glasses

Clear  
Tinted



Part No. 402510  
Part No. 402512

---

## Lubricants and Loctite

Loctite 242 (Blue)  
Lubricating Oil 16 oz.  
Lubricating Oil with Anitfreeze 8 oz.  
Chemplex 710 Lubricant 1lb.

Part No. 093500  
Part No. 403720  
Part No. 219090  
Part No. 403734

---

## Degreaser Cleaner

Ideal cleaner for all Paslode tools.

Part No. 219086



An Illinois Tool Works Company  
888 Forest Edge Drive  
Vernon Hills, Illinois 60061-3105