

# MODEL CB1850

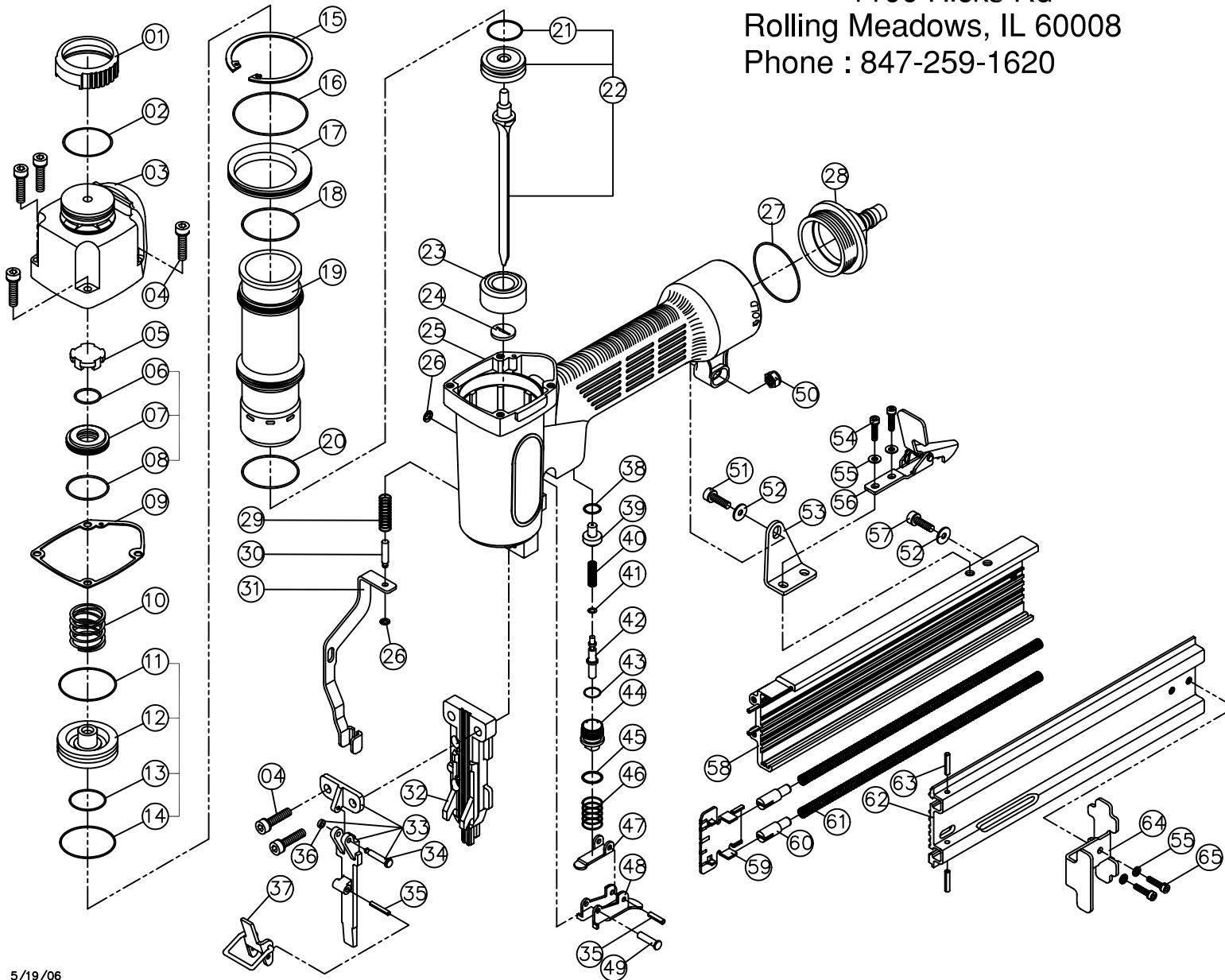
# SPOTNAIL'S

DIVISION OF PEACE INDUSTRIES, LTD.

1100 Hicks Rd

Rolling Meadows, IL 60008

Phone : 847-259-1620



## SPOTNAILS MODEL CB1850

Ref No.	Part No.	Description	
01	P-70043	Exhaust Deflector	
02	P-64392	O-Ring	
03	P-60192	Cap	
04	P-24300	Screw	
◆	05	P-15199	Exhaust Seal
◆	06	P-64332	O-Ring
07	P-22167	Poppet Valve Guide	
◆	08	P-64393	O-Ring
◆	09	P-62072	Gasket
10	P-18226	Spring	
◆	11	P-64232	Poppet O-Ring
12	P-63039	Poppet Valve	
◆	13	P-64233	Piston Stop O-Ring
◆	14	P-64234	Cylinder Seal O-Ring
15	P-32236	Retaining Ring	
◆	16	P-64394	O-Ring
17	P-03072	Cylinder Spacer	
◆	18	P-64235	Cylinder O-Ring
◆	19	P-05113	Cylinder
◆	20	P-64395	Cylinder O-Ring
◆	21	P-64236	Piston O-Ring
22	AS-06076	Piston & Driver Assembly	

Ref No.	Part No.	Description	
23	P-15121	Bumper	
◆	24	P-15124	Return Seal
25	P-01283	Body	
26	P-32142	E-Ring	
27	P-64389	O Ring	
28	P-60175	End Cap	
29	P-18228	Spring	
30	P-07386	Step Pin	
31	P-53184	Safety	
32	P-08494	Wear Plate	
33	AS-10055	Front Plate Assembly	
34	P-07356	Pin	
35	P-07354	Pin	
◆	36	P-64436	O-Ring
37	AS-04041	Latch Assembly	
◆	38	P-64239	Valve Housing O-Ring
39	P-22168	Upper Valve Housing	
40	P-18336	Spring	
◆	41	P-64240	O-Ring
42	P-22169	Plunger	
◆	43	P-64421	O-Ring
44	P-22170	Lower Valve Housing	

Ref No.	Part No.	Description	
◆	45	P-64241	O-Ring
46	P-18337	Spring	
47	P-21069	Secondary Trigger	
48	P-21068	Trigger	
49	P-07234	Trigger Pin	
50	P-26126	Nut	
51	P-24450	Screw	
52	P-32170	Washer	
53	P-13095	Bracket	
54	P-24491	Screw	
55	P-32144	Washer	
56	AS-04042	Latch Assembly	
57	P-24492	Screw	
58	P-12483	Magazine	
59	P-09214	Pusher	
60	P-18483	Spring Stem	
61	P-18484	Spring	
62	P-12484	Magazine Cover	
63	P-07237	Pin	
64	P-04080	Latch	
65	P-24303	Screw	

◆ Parts Included In AS-97320 O-Ring And Seal Kit