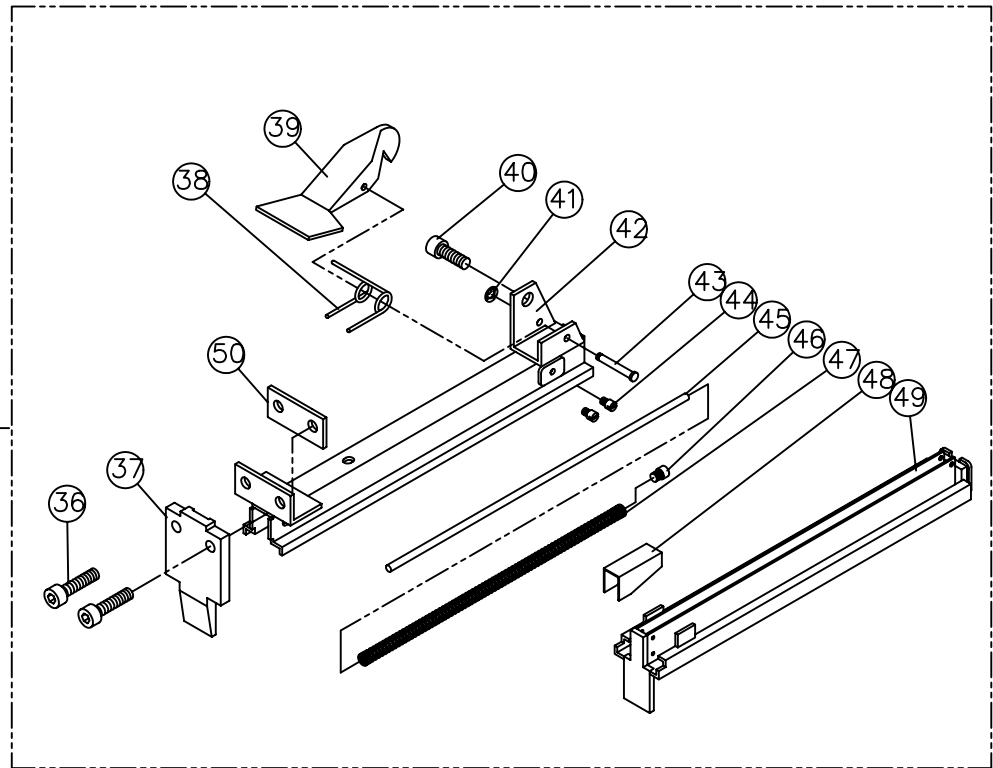


MODEL JS7116

SPOTNAILS[®]
 DIVISION OF PEACE INDUSTRIES, LTD.
 1100 Hicks Rd
 Rolling Meadows, IL 60008
 Phone : 847-259-1620



SPOTNAILS MODEL JS7116

| Ref No. | Part No. | Description | | Ref No. | Part No. | Description | |
|---------|----------|---------------|--------------------------|---------|----------|---------------|-------------------|
| 01 | P-24300 | HD. Screw | ◆ | 27 | P-15226 | Valve Seal | |
| 02 | P-70049 | Exhaust Cover | | 28 | P-22184 | Valve Housing | |
| ◆ | 03 | P-15222 | Exhaust Seal | ◆ | 29 | P-64456 | O-Ring |
| | 04 | P-60188 | Cap | | 30 | P-22185 | Trigger Plunger |
| ◆ | 05 | P-64448 | Cap O-Ring | ◆ | 31 | P-64457 | O-Ring |
| ◆ | 06 | P-64449 | O-Ring | | 32 | P-22186 | Valve Housing |
| | 07 | P-18469 | Spring | | 33 | P-18470 | Trigger Spring |
| ◆ | 08 | P-64450 | O-Ring | | 34 | P-21087 | Trigger |
| | 09 | P-63044 | Poppet Valve | | 35 | P-07372 | Step Pin |
| | 10 | P-64451 | O-Ring Cylinder Seal | | 36 | P-24300 | Screw |
| ◆ | 11 | P-15223 | Piston Stop Seal | | 37 | P-10268 | Front Plate |
| | 12 | P-03086 | Cylinder Spacer | | 38 | P-18253 | Latch Spring |
| | 13 | P-05110 | Cylinder | | 39 | P-04076 | Latch |
| ◆ | 14 | P-64452 | O-Ring | | 40 | P-24312 | Screw |
| ◆ | 15 | P-64453 | Piston O-Ring | | 41 | P-32143 | E-Washer |
| | 16 | P-66107 | Piston | | 42 | P-12468 | Magazine Cover |
| | 17 | P-06246 | Driver Blade | | 43 | P-07260 | Pin |
| | 18 | AS-06066 | Piston & Driver Assembly | | 44 | P-24356 | Screw |
| | 19 | P-32143 | E-Washer | | 45 | P-16015 | Rod |
| | 20 | P-15224 | Bumper | | 46 | P-24357 | Screw |
| ◆ | 21 | P-64454 | O-Ring | | 47 | P-18335 | Pusher Spring |
| | 22 | P-96134 | Pipe | | 48 | P-09160 | Pusher |
| ◆ | 23 | P-64455 | O-Ring | | 49 | P-12469 | Magazine |
| | 24 | P-01279 | Body | | 50 | P-03091 | Spacer |
| ◆ | 26 | P-15225 | Return Seal | | 51 | AS-12168 | Magazine Assembly |

◆ Parts Included In AS-97315 O-Ring And Seal Kit