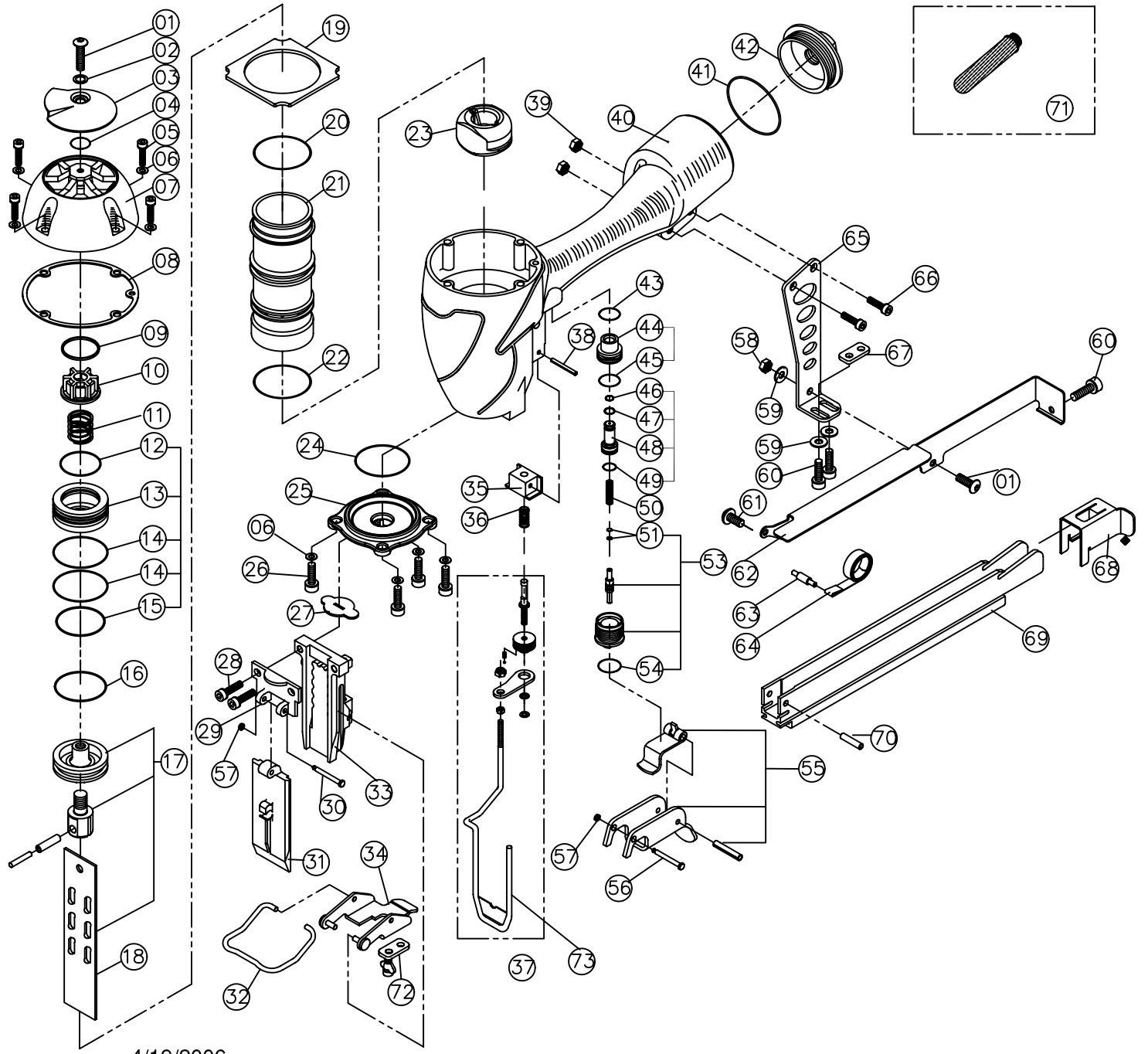


MODEL MS2440

SPOTNAILS[®]

DIVISION OF PEACE INDUSTRIES, LTD.

1100 Hicks Rd
Rolling Meadows, IL 60008
Phone : 847-259-1620



SPOTNAILS MODEL MS2440

Ref No.	Part No.	Description	
01	P-24370	Screw	
02	P-96118	Bushing	
03	P-70047	Exhaust Deflector	
04	P-64377	O-Ring	
05	P-24314	Cap Screw	
06	P-32169	Flat Washer	
07	P-60181	Cap	
◆	08	P-62080	Gasket
09	P-03076	Spacer	
10	P-15204	Exhaust Seal	
11	P-18442	Poppet Spring	
◆	12	P-64399	Poppet O-Ring
13	P-63043	Poppet	
◆	14	P-64426	Poppet O-Ring
◆	15	P-64312	Cylinder Seal O-Ring
◆	16	P-64427	Piston O-Ring
17	AS-06071	Piston & Driver Assembly	
18	P-06251	Driver Blade	
19	P-03082	Guide Spacer	
◆	20	P-64428	Cylinder O-Ring
21	P-05108	Cylinder	
◆	22	P-64429	O-Ring
23	P-15229	Bumper	
◆	24	P-64430	O-Ring
25	P-60190	Bottom Plate	
26	P-24453	Screw	
27	P-15202	Return Seal	
28	P-24358	Screw	
29	P-10304	Stationary Front Plate	
30	P-07357	Spring Pin	
31	P-10305	Removable Front Plate	
32	P-18333	Latch Spring	
33	P-08490	Wear Plate	
34	P-04079	Quick Clear Latch	
35	P-53165	Safety Guide	
36	P-18328	Spring	

Ref No.	Part No.	Description	
37	AS-53065	Safety Assembly	
38	P-07262	Pin	
39	P-26143	Nut	
40	P-01281	Body	
41	P-64312	O-Ring	
42	P-60156	End Cap	
◆	43	P-64332	Valve Housing O-Ring
44	P-22144	Trigger Valve Cap	
◆	45	P-64333	O-Ring
◆	46	P-64334	O-Ring
◆	47	P-64335	O-Ring
48	P-22145	Pilot Valve	
◆	49	P-64336	O-Ring
50	P-18227	Spring	
◆	51	P-64383	Plunger O-Rings
53	AS-22037	Plunger Assembly	
◆	54	P-64328	O-Ring
55	AS-21008	Trigger Assembly	
56	P-07327	Trigger Pin	
◆	57	P-64240	O-Ring
58	P-26126	Nut	
59	P-32170	Washer	
60	P-24430	Screw	
61	P-24432	Screw	
62	P-12417	Magazine Cover	
63	P-07337	Negator Spring Pin	
64	P-18334	Negator Spring	
65	P-13090	Bracket	
66	P-24383	Screw	
67	P-26159	Nut Plate	
68	P-09187	Pusher	
69	P-12415	Magazine	
70	P-07338	Pin	
71	P-97454	Filter (Optional)	
72	AS-04039	Thumb Screw Assembly	
73	P-53183	Safety	

◆ Parts Included In AS-97300 O-Ring And Seal Kit