

MODEL MS6650i

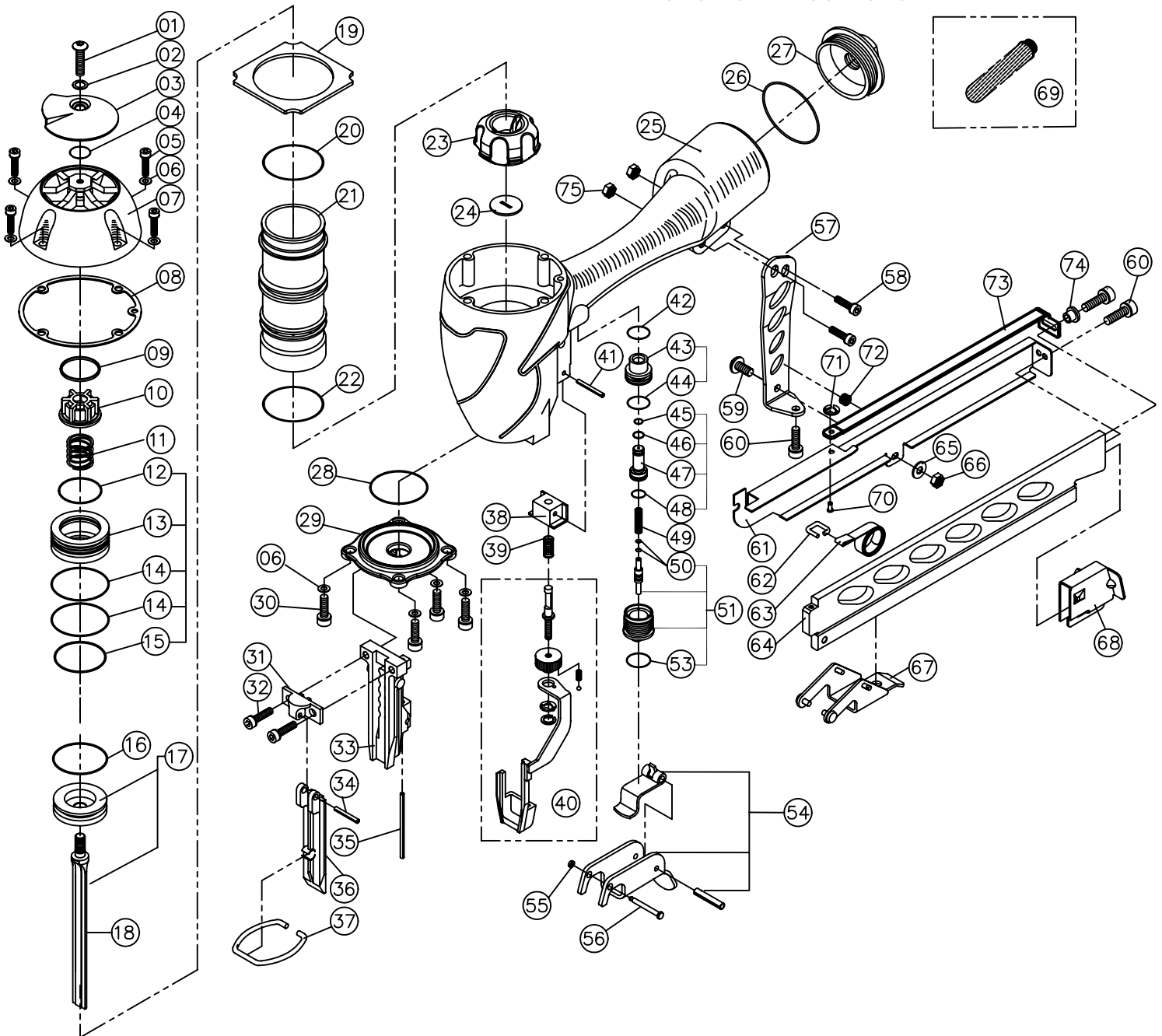
SPOTNAILS®

DIVISION OF PEACE INDUSTRIES, LTD.

1100 Hicks Rd

Rolling Meadows, IL 60008

Phone : 847-259-1620



5/18/2005

SPOTNAILS MODEL MS6650i

Ref No.	Part No.	Description	
01	P-24370	Screw	
02	P-96118	Bushing	
03	P-70047	Exhaust Deflector	
04	P-64377	O-Ring	
05	P-24314	Cap Screw	
06	P-32169	Flat Washer	
07	P-60181	Cap	
◆	08	P-62080	Gasket
09	P-03076	Spacer	
10	P-15204	Exhaust Seal	
11	P-18442	Poppet Spring	
◆	12	P-64399	Poppet O-Ring
13	P-63043	Poppet	
◆	14	P-64426	Poppet O-Ring
◆	15	P-64312	Cylinder Seal O-Ring
◆	16	P-64427	Piston O-Ring
17	AS-06055	Piston & Driver Assembly	
18	P-06237	Driver Blade	
19	P-03082	Guide Spacer	
◆	20	P-64428	Cylinder O-Ring
21	P-05108	Cylinder	
◆	22	P-64429	O-Ring
23	P-15215	Bumper	
24	P-15191	Return Seal	
25	P-01272	Body	
26	P-64312	O-Ring	
27	P-60156	End Cap	
28	P-64430	O-Ring	
29	P-60182	Bottom Plate	
30	P-24453	Screw	
31	P-10276	Stationary Front Plate	
32	P-24358	Screw	
33	P-08463	Wear Plate	
34	P-07253	Roll Pin	
35	P-07257	Safety Yoke Pin	
36	P-10277	Removable Front Plate	
37	P-18251	Latch Spring	

Ref No.	Part No.	Description	
38	P-53165	Safety Guide	
39	P-18328	Spring	
40	AS-53058	Safety Assembly	
41	P-07262	Pin	
◆	42	P-64332	Valve Housing O-Ring
43	P-22144	Trigger Valve Cap	
◆	44	P-64333	O-Ring
◆	45	P-64334	O-Ring
◆	46	P-64335	O-Ring
47	P-22145	Pilot Valve	
◆	48	P-64336	O-Ring
49	P-18227	Spring	
◆	50	P-64383	Plunger O-Rings
51	AS-22037	Plunger Assembly	
◆	53	P-64328	O-Ring
54	AS-21008	Trigger Assembly	
◆	55	P-64240	O-Ring
56	P-07327	Trigger Pin	
57	P-13080	Bracket	
58	P-24383	Screw	
59	P-24370	Screw	
60	P-24353	Screw	
61	P-12436	Magazine Cover (A)	
62	P-18131	Spring Clip	
63	P-18298	Negator Spring	
64	P-27179	Magazine	
65	P-32170	Washer	
66	P-26142	Nut	
67	P-04060	Quick Clear Latch	
68	P-09159	Pusher	
69	P-97454	Filter	
70	P-07346	Cover Pin	
71	P-32180	E-Ring	
72	P-18228	Spring	
73	P-12437	Magazine Cover (B)	
74	P-03083	Bushing	
75	P-26143	Nut	

◆ Parts Included In AS-97300 O-Ring And Seal Kit