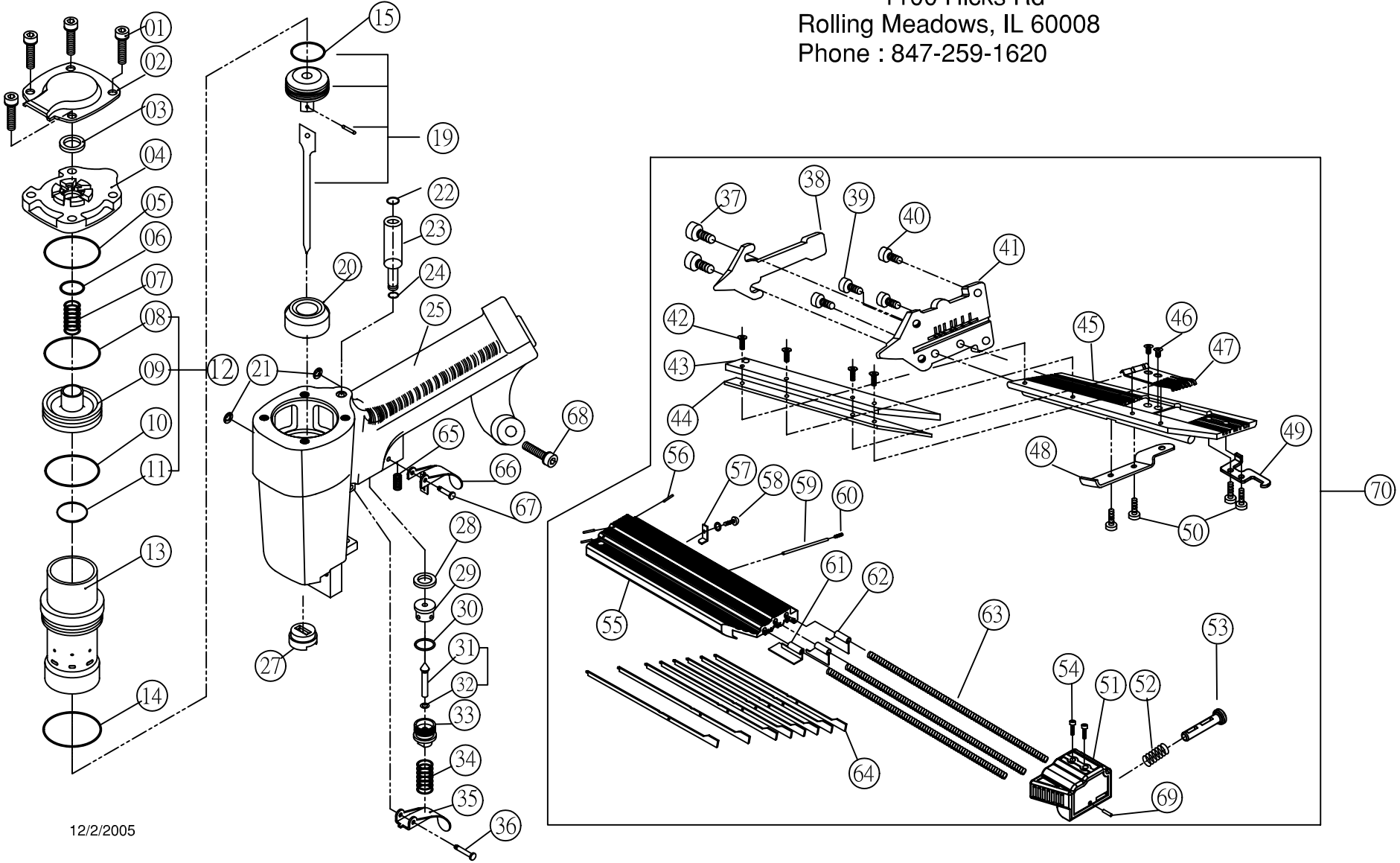


MODEL SP2340

SPOTNAILS[®]

DIVISION OF PEACE INDUSTRIES, LTD.

1100 Hicks Rd
Rolling Meadows, IL 60008
Phone : 847-259-1620



SPOTNAILS MODEL SP2340

Ref No.	Part No.	Description
01	P-24385	Cap Screw
02	P-70050	Exhaust Cover
03	P-15181	Exhaust Seal
04	P-60191	Cap
05	P-64463	O-Ring
06	P-64372	O-Ring
07	P-18326	Spring
08	P-64366	O-Ring
09	P-63036	Poppet Valve
10	P-64367	Cylinder Seal O-Ring
11	P-64368	Piston Stop O-Ring
12	AS-63021	Poppet Assembly
13	P-05111	Cylinder
14	P-64464	Cylinder O-Ring
15	P-64465	Piston O-Ring
19	AS-06070	Piston & Driver Assembly
20	P-15230	Bumper
21	P-32143	E-Ring
22	P-64454	O-Ring
23	P-96134	Pipe
24	P-64455	O-Ring
25	P-01282	Body

Ref No.	Part No.	Description
27	P-15231	Return Seal
28	P-15226	Valve Seal
29	P-22184	Trigger Valve Housing
30	P-64456	O-Ring
31	P-22185	Trigger Plunger
32	P-64457	O-Ring
33	P-22186	Trigger Valve Housing
34	P-18470	Trigger Spring
35	P-21087	Primary Trigger
36	P-07372	Trigger Pin
37	P-24364	Cap Screw
38	P-10303	Front Plate
39	P-24425	Cap Screw
40	P-24311	Cap Screw
41	P-08491	Wear Plate
42	P-24478	Cap Screw
43	P-27186	Wear Rail
44	P-27187	Wear Insert
45	P-12470	Magazine
46	P-24479	Screw
47	P-96135	Tension Plate
48	P-13091	Bracket

Ref No.	Part No.	Description
49	P-04077	Latch
50	P-24477	Cap Screw
51	P-04078	Rear Latch
52	P-18475	Spring
53	P-07382	Latch Pin
54	P-24480	Cap Screw
55	P-12471	Magazine Cover
56	P-07380	Spring Pin
57	P-96136	Cover Stop
58	P-24477	Cap Screw
59	P-07384	Dowl Pin
60	P-24481	Set Screw
61	P-09208	Pusher
62	P-09209	Pusher
63	P-18476	Pusher Spring
64	P-27188	Wear Rails
65	P-18474	Spring
66	P-21088	Restrictive Trigger
67	P-07381	Pin
68	P-24306	Cap Screw
69	P-07383	Spring Pin
70	AS-12174	Magazine Assembly

◆ Parts Included In AS-97317 O-Ring And Seal Kit